

Dell™ PowerEdge™ Systems
Oracle® Database on
Enterprise Linux® x86_64

**Storage and
Network Guide
Version 1.3**



Notes, Cautions, and Warnings



NOTE: A NOTE indicates important information that helps you make better use of your computer.



CAUTION: A CAUTION indicates potential damage to hardware or loss of data if instructions are not followed.



WARNING: A WARNING indicates a potential for property damage, personal injury, or death.

Information in this document is subject to change without notice.

© 2010 Dell Inc. All rights reserved.

Reproduction of these materials in any manner whatsoever without the written permission of Dell Inc. is strictly forbidden.

Trademarks used in this text: *Dell*, the *DELL* logo, *EqualLogic*, *Optiplex*, *PowerConnect*, *PowerEdge*, and *PowerVault* are trademarks of Dell Inc.; *Broadcom* is a trademark of Broadcom Corp; *EMC*, *Navisphere*, and *PowerPath* are registered trademarks of EMC Corporation; *Intel* is a registered trademark of Intel in the U.S. and other countries; *Oracle* is a registered trademark of Oracle Corporation and/or its affiliates. *Red Hat* and *Red Hat Enterprise Linux* are registered trademarks of Red Hat, Inc. in the United States and other countries.

Other trademarks and trade names may be used in this document to refer to either the entities claiming the marks and names or their products. Dell Inc. disclaims any proprietary interest in trademarks and trade names other than its own.

Contents

1	Overview	7
	Required Documentation for Deploying the Dell Oracle Database	7
	Terminology Used in This Document	8
	Getting Help	8
	Dell Support.	8
	Oracle Support	9
2	Configuring Your Network	11
	Configuring the Public Network.	12
	Configuring the Private Network Using Bonding	13
	Setting Up User Equivalence	14
	Configuring ssh	14
	IP Address and Name Resolution Requirements	15
	For a Cluster Using GNS	15
	For a Cluster Using DNS	17
	Enabling IPMI	20
	Prerequisites for Enabling IPMI	20
	Configuring the Open IPMI Driver	20
	Configuring BMC Using IPMItool.	21

3	Setting Up a Fibre Channel Cluster	27
	Hardware Connections for a Fibre Channel Cluster	27
	Cabling Your Fibre Channel Storage System	29
	Configuring Direct-Attached Fibre Channel	29
	Configuring SAN-Attached Fibre Channel	30
4	Setting Up a SAS Cluster for the Dell PowerVault MD3000 and MD1000 Expansion Enclosures	33
	Setting Up the Hardware.	35
	Installing Host-Based Storage Software	37
	Verifying and Upgrading the Firmware	37
	Installing the SAS 5/E Adapter Driver	37
	Performing the Post Installation Tasks	38
5	Setting Up an iSCSI Cluster for the Dell™ PowerVault™ MD3000i and MD1000 Storage Enclosures	39
	Setting Up the Hardware.	40
	Installing Host-based Software Needed for Storage	43
	Verifying and Upgrading the Firmware	44
	Post Installation Tasks.	44

6	Setting Up an iSCSI Cluster for the Dell EqualLogic PS Series Storage System	45
	EqualLogic Terminology	45
	Setting Up the EqualLogic iSCSI Storage System	46
	Creating Volumes	48
	Configuring the iSCSI Networks	50
	Configuring Host Access to Volumes	51
7	Configuring Database Storage on the Host	63
	Verifying and Identifying Your Storage Disks	63
	Adjusting Disk Partitions for Systems Running the Linux Operating System	66
	Example: fdisk Utility Arguments	66
	Using the fdisk Utility to Adjust a Disk Partition	67
	Configuring Shared Storage for Clusterware, Database and Recovery Files in a RAC Environment	68
	Index	71

Overview

The document provides a generalized guide to configure the network and storage requirements for running the Dell|Oracle database on a system installed with the Red Hat® Enterprise Linux® or the Oracle® Enterprise Linux operating system. This document applies to Oracle Database 11g R2 running on Red Hat Enterprise Linux or Oracle Enterprise Linux 5.3 AS x86_64. For the list of network and storage configurations supported by your system, go to dell.com/oracle and select **Dell™ Validated Components**.

Required Documentation for Deploying the Dell|Oracle Database



NOTE: The following documentation is available at support.dell.com/manuals.

- *Dell PowerEdge Systems Oracle Database on Enterprise Linux x86_64 Operating System and Hardware Installation Guide*—Describes the required minimum hardware and software versions, how to install and configure the operating system, how to verify the hardware and software configurations, and how to obtain open source files.
- *Dell PowerEdge Systems Oracle Database on Enterprise Linux x86_64 Storage and Network Guide*—Describes how to install and configure the network and the storage solutions.
- *Dell PowerEdge Systems Oracle Database on Enterprise Linux x86_64 Database Setup and Installation Guide*—Describes how to install and configure the Oracle database.
- *Dell PowerEdge Systems Oracle Database on Enterprise Linux x86_64 Troubleshooting Guide*—Describes how to troubleshoot and resolve errors encountered during the installation procedures described in the previous modules.



NOTE: All modules provide information on how to receive technical assistance from Dell.

Terminology Used in This Document

Throughout this document, the terms logical unit number (LUN) and virtual disk are used synonymously. The term LUN is commonly used in a Dell/EMC Fibre Channel storage system environment. The term virtual disk is commonly used in a Dell PowerVault™ Serial-attached SCSI (SAS) (PowerVault MD3000 and PowerVault MD3000i with PowerVault MD1000 expansion) or a Dell EqualLogic iSCSI storage environment.



NOTE: Unless stated specifically, the term *Enterprise Linux* in this document applies to both Red Hat Enterprise Linux and Oracle Enterprise Linux.

Getting Help

Dell Support

- For detailed information on the use of your system, see the documentation that was shipped with your system components.
- For white papers, Dell-supported configurations, and general information, see dell.com/oracle.
- For Dell technical support for your hardware and operating system software, and to download the latest updates for your system, see support.dell.com/manuals.
- Information about contacting Dell is provided in the *Dell PowerEdge Systems Oracle Database on Enterprise Linux x86_64 Troubleshooting Guide* at support.dell.com/manuals.
- Dell Enterprise Training and Certification is now available; see dell.com/training for more information. This training service may not be offered in all locations.
- For information on installing and configuring Oracle, see the *Dell PowerEdge Systems Oracle Database on Enterprise Linux x86_64 Database Setup and Installation Guide* at support.dell.com/manuals.

Oracle Support

- For training information on your Oracle software and application clusterware and for information about contacting Oracle, see **oracle.com**, or see your Oracle documentation.
- Technical support, downloads, and other technical information is available at **metalink.oracle.com**.

Configuring Your Network

This section provides information about configuring the public and private cluster network.



NOTE: Each node in a network requires a unique public and private Internet protocol (IP) address. An additional public IP address is required to serve as the virtual IP address for the client connections and the connection failover. Therefore, a total of three IP address are required for each node. The virtual IP address must belong to the same subnet as the public IP. All public IP addresses, including the virtual IP address, must be registered with the Domain Naming Service (DNS) and they must be routable. For more information, see "IP Address and Name Resolution Requirements" on page 15.

Depending on the number of NIC ports available, configure the interfaces as shown in Table 2-1.

Table 2-1. NIC Port Assignments

NIC Port	Ports Available
1	Public IP, virtual IP, and Single Client Access Name (SCAN) IP
2	Private IP (bonded)
3	Private IP (bonded)

Configuring the Public Network



NOTE: Ensure that the public IP address is a valid and routable IP address.



NOTE: Each of the two bonded NIC ports for the private network must be on separate PCI buses. For example, a bonded pair can consist of one on-board NIC and one add-on NIC card.

To configure the public network on *each node*:

- 1 Log in as **root**.
- 2 Edit the network device file `/etc/sysconfig/network-scripts/ifcfg-eth#`, where `#` is the number of the network device:



NOTE: Ensure that the *Gateway* address is configured for the public network interface. If the *Gateway* address is not configured, the grid installation may fail.

```
DEVICE=eth0
ONBOOT=yes
IPADDR=<Public IP Address>
NETMASK=<Subnet mask>
BOOTPROTO=static
HWADDR=<MAC Address>
SLAVE=no
GATEWAY=<Gateway Address>
```

- 3 Edit the `/etc/sysconfig/network` file, and, if necessary, replace **localhost.localdomain** with the qualified public node name. For example, the command for node 1:
`hostname=node1.domain.com`
- 4 Type `service network restart` to restart the network service.
- 5 Type `ifconfig` to verify that the IP addresses are set correctly.
- 6 To check your network configuration, ping each public IP address from a client on the LAN that is not a part of the cluster.
- 7 Connect to each node to verify that the public network is functioning. Type `ssh <public IP>` to verify that the **secure shell (ssh)** command is working.

Configuring the Private Network Using Bonding

Before you deploy the cluster, configure the private cluster network to allow the nodes to communicate with each other. This involves configuring network bonding and assigning a private IP address and host name to each node in the cluster.

To set up network bonding for Broadcom[®] or Intel[®] NICs, and to configure the private network on *each node*:

- 1 Log in as **root**.
- 2 Add the following line to the `/etc/modprobe.conf` file:
`alias bond0 bonding`
- 3 For high availability, edit the `/etc/modprobe.conf` file and set the option for **link monitoring**.
The default value for `miimon` is 0. The default value disables link monitoring. Change the value to **100** milliseconds initially. Adjust the link monitoring value as needed to improve performance. For example, type:
`options bonding miimon=100 mode=6 max_bonds=2`

- 4 In the `/etc/sysconfig/network-scripts/` directory, create or edit the `ifcfg-bond0` configuration file.
For example, using sample network parameters, the file appears as:

```
DEVICE=bond0
IPADDR=192.168.0.1
NETMASK=255.255.255.0
NETWORK=192.168.0.0
BROADCAST=192.168.0.255
ONBOOT=yes
BOOTPROTO=none
USERCTL=no
```

The entries for `NETMASK`, `NETWORK`, and `BROADCAST` are optional. `DEVICE=bondn` is the name required for the bond, where *n* specifies the bond number. `IPADDR` is the private IP address.

To use **bond0** as a virtual device, you must specify the devices that are bonded as slaves.

- 5 For each device that is a bond member:
 - a In the directory `/etc/sysconfig/network-scripts/`, edit the `ifcfg-ethn` file:

```
DEVICE=ethn
HWADDR=<MAC ADDRESS>
ONBOOT=yes
TYPE=Ethernet
USERCTL=no
MASTER=bond0
SLAVE=yes
BOOTPROTO=none
```
 - b Type `service network restart` and ignore all warnings.
- 6 On *each node*, type `ifconfig` to verify that the private interface is functioning.
The private IP address for the node must be assigned to the private interface `bond0`.
- 7 After all the private IP addresses are set up on every node, ping each IP address from one node to ensure that the private network is functioning.
- 8 Connect to each node. Verify that the private network and the Secure Shell (`ssh`) are functioning correctly by typing:
`ssh <private IP>`

Setting Up User Equivalence

Configuring `ssh`

- 1 On the primary node, log in as `root`.
- 2 Run the `sshUserSetup.sh` script located in the Grid binary folder, under the `sshsetup` folder:

```
sh sshUserSetup.sh -hosts "host1 host2" -user grid
-advanced

sh sshUserSetup.sh -hosts "host1 host2" -user
oracle -advanced
```

where `host1` and `host2` are the cluster node names.

After completing step 2, you can configure `ssh` on other nodes on the grid and log in as an Oracle user. During login you would not be prompted for a password.

IP Address and Name Resolution Requirements

For a Cluster Using GNS

The basic requirements for setting up an Oracle 11g R2 RAC using Oracle Global Naming Server (GNS) are:

- At least two interfaces configured on each node, one for the private IP address and one for the public IP address.
- A Domain Naming Server (DNS) running in the network for the address resolution of GNS virtual IP address.
- The DNS entry to establish DNS Lookup to direct DNS resolution of a sub-domain to the cluster.
- A DHCP service running on the public network for the cluster.
- Sufficient addresses on the DHCP to provide one IP address for each node's virtual IP, and three IP addresses for the cluster used by SCAN.

Table 2-2 describes the different interfaces, IP address settings, and the resolutions in a cluster.

Table 2-2. IP Address Settings in a Cluster Using GNS

Interface	Type	Resolution
Public	Static	/etc/hosts
Private	Static	Not Required
Node virtual IP	DHCP	GNS
GNS virtual IP	Static	DNS
SCAN virtual IP	DHCP	GNS

Configuring a DNS Server

To configure a DNS server using GNS:

- 1 Configure GNS VIP address on DNS server—In the DNS, create a name resolution entry for the GNS virtual IP address in the forward Lookup file.

For example: `gns-server IN A 192.0.2.2`

where *gns-server* is the GNS virtual IP address given during grid installation. The address that you provide must be routable and should be in public range. For example, 192.0.2.2.

- 2 Configure the GNS sub-domain delegation—In the DNS, create an entry to establish DNS Lookup that directs the DNS resolution of a GNS sub-domain to the cluster. Add the following to the DNS Lookup file:
`clusterdomain.example.com. NS gns-server.example.com.`

where *clusterdomain.example.com* is the GNS sub domain (provided during grid installation) that you delegate and *gns-server.clustername.com* resolves to GNS virtual IP address.

Configuring a DNS Client

To configure a DNS client:

- 1 Add host entries within the `/etc/hosts` file domain name. On each node, modify lines in the `/etc/hosts` file by typing:

```
127.0.0.1 localhost.localdomain localhost
```

```
<public IP node1> <fully qualified hostname node1>  
<public hostname node1>
```

```
<public IP node2> <fully qualified hostname node2>  
<public hostname node2>
```

- 2 On all nodes in the cluster, edit the `resolv.conf` file to include name server entries that are resolvable to DNS servers.

For example, edit the `/etc/resolv.conf` file as:

```
options attempts: 2
options timeout: 1
search clusterdomain.example.com example.com
nameserver 192.0.2.1
nameserver 192.0.2.2
```

 **NOTE:** The total time-out period which is a combination of options attempted and options timed out should be less than 30 seconds.

Where `192.0.2.1` is the valid DNS server address and `192.0.2.2` is the GNS Virtual IP address in your network, and `clusterdomain.example.com` is the GNS sub domain.

- 3 Verify the order of configuration. `/etc/nsswitch.conf` controls name service Lookup order.

In some system configurations, the Network Information System (NIS) can cause issues with Oracle SCAN address resolution. It is recommended that you place the NIS entry at the end of the search list.

For example, `hosts: files dns nis`

For a Cluster Using DNS

The basic requirements to set up an Oracle 11g R2 RAC using Oracle DNS (without GNS) are:

- 1 At least two interfaces configured on each node, one for the private IP address and one for the public IP address.
- 2 A SCAN NAME configured on the DNS for Round Robin resolution to three addresses (recommended) or at least one address. The SCAN addresses must be on the same subnet as virtual IP addresses and public IP addresses.

 **NOTE:** For high availability and scalability, Oracle recommends that you configure the SCAN to use Round Robin resolution to three IP addresses. The name for the SCAN cannot begin with a numeral. For installation to succeed, the SCAN must resolve to at least one address.

Table 2-3 describes the different interfaces, IP address settings and the resolutions in a cluster.

Table 2-3. IP Address Settings in a Cluster Using DNS

Interface	Type	Resolution
Public	Static	/etc/hosts or DNS
Private	Static	Not required
Node virtual IP	Static	/etc/hosts or DNS
SCAN virtual IP	Static	DNS

Configuring a DNS Server

To configure changes on a DNS server for an Oracle 11g R2 cluster using a DNS (without GNS):

- 1 Configure SCAN NAME resolution on DNS server. In the DNS, create a name resolution entry for the GNS virtual IP address in the forward Lookup file. For example:

```
scancluster IN A 192.0.2.1
              IN A 192.0.2.2
              IN A 192.0.2.3
```

Where *scancluster* is the SCAN NAME provided during grid installation.



NOTE: The SCAN IP address must be routable and must be in public range.

Configuring a DNS Client

To configure the changes required on the cluster nodes for name resolution:

- 1 Add host entries in the `/etc/hosts` file. On each node, modify lines in the `/etc/hosts` file by typing:

```
127.0.0.1 localhost.localdomain localhost
<public IP node1> <fully qualified hostname
node1> <public hostname node1>
<public IP node2> <fully qualified hostname
node2> <public hostname node2>
<Virtual IP node1> <fully qualified Virtual
hostname node1> <Virtual hostname node1>
<Virtual IP node2> <fully qualified Virtual
hostname node2> <Virtual hostname node2>
```

- 2 You must configure the `resolv.conf` on the nodes in the cluster to contain name server entries that are resolvable to DNS server. Provide an entry similar to the following:

```
/etc/resolv.conf:
search ns1.domainserver.com
nameserver 192.0.2.100
```

Where *192.0.2.100* is a valid DNS server address in your network and *ns1.domainserver.com* is the domain server in your network.

- 3 Verify the order configuration. `/etc/nsswitch.conf` controls the name service order. In some configurations, the NIS can cause issues with Oracle SCAN address resolution. It is recommended that you place the NIS entry at the end of the search list.
For example, `hosts: files dns nis`

Enabling IPMI

Intelligent Platform Management Interface (IPMI) provides a set of common interfaces to the hardware and firmware that system administrators can use to monitor system health and manage the system. With Oracle I1g R2, Oracle Clusterware can integrate IPMI to provide failure isolation support and to ensure cluster integrity.

Prerequisites for Enabling IPMI

Each cluster node requires a Baseboard Management Controller (BMC), running a firmware compatible with IPMI version 1.5 or later and configured for remote control using LAN.



NOTE: It is recommended that you use a dedicated management network (DRAC port) for IPMI.

The Linux rpm required for `ipmitool` is `OpenIPMI-tools-2.0.6-11.el5.x86_64.rpm`.

Configuring the Open IPMI Driver

- 1 Log in as `root`.
- 2 To enable the IPMI service, type:
`chkconfig ipmi on`
- 3 To start the IPMI service, type: `service ipmi start`
- 4 Run the command `/sbin/lsmmod | grep ipmi` to confirm that the IPMI modules are loaded. For example:

```
# /sbin/lsmmod | grep ipmi
ipmi_devintf          44753  2
ipmi_si               77453  1
ipmi_msghandler       72985  2
ipmi_devintf,ipmi_si
```

- 5 Ensure that the system recognizes the IPMI device, using the following command: `ls -l /dev/ipmi0`

If the IPMI device has been dynamically loaded, then the output should be similar to the following:

```
# ls -l /dev/ipmi0  
  
crw----- 1 root root 252, 0 Dec 23 16:41  
/dev/ipmi0
```

Configuring BMC Using IPMITool

Use the following example to configure BMC using `ipmitool` version 2.0:

- 1 Log in as `root`.
- 2 Verify that `ipmitool` is communicating with the BMC using the IPMI driver. Use the following commands to check for the device ID in the output:

```
# ipmitool bmc info  
  
Device ID                : 32  
Device Revision          : 0  
Firmware Revision       : 0.20  
IPMI Version             : 2.0  
Manufacturer ID          : 674  
Manufacturer Name       : Unknown (0x2a2)  
Product ID               : 256 (0x0100)
```

If `ipmitool` is not able to communicate with BMC, see "Configuring the Open IPMI Driver" on page 20 and ensure that the IPMI driver is running.

3 Enable IPMI over LAN:

- a Determine the channel number for IPMI over LAN. Beginning with channel 1, run the following command until you find the channel that displays the required LAN attributes, such as the IP address:

```
# ipmitool lan print 1
. . .
IP Address Source : 0x01
IP Address : 140.87.155.89
. . .
```

- b Turn on LAN access for the channel found. For example, where the channel is 1:

```
# ipmitool lan set 1 access on
```

4 Configure IP address settings for IPMI using one of the following procedures:

- Using dynamic IP addressing—Dynamic IP addressing is the default assumed by Oracle Universal Installer. It is recommended that you select this option so that nodes can be added or removed from the cluster more easily, as address settings can be assigned automatically. For example, if the channel is 1, then enter the following command to enable DHCP and set the channel:

```
# ipmitool lan set 1 ipsrc dhcp
```



NOTE: Use of DHCP requires a DHCP server on the subnet.

- Using static IP addressing—If the BMC shares a network connection with the operating system, then the IP address must be on the same subnet. You must set not only the IP address, but also the proper values for netmask, and the default gateway. For example, assuming the channel is 1:

```
# ipmitool lan set 1 ipaddr 192.168.0.55
# ipmitool lan set 1 netmask 255.255.255.0
# ipmitool lan set 1 defgw ipaddr 192.168.0.1
```

The address specified in the example(192.168.0.55) is associated only with the BMC, and does not respond to normal pings.

- 5** Establish an administration account with a user name and password, using the following procedure (assuming the channel is 1):

- a** Configure BMC to authenticate password for **Admin** access over LAN. For example:

```
# ipmitool lan set 1 auth ADMIN MD5,PASSWORD
```

- b** List the account slots on the BMC, and identify an unused slot (a User ID with an empty user name field). For example:

```
# ipmitool channel getaccess 1
```

```
. . .
```

```
User ID : 4
```

```
User Name :
```

```
Fixed Name : No
```

```
Access Available : call-in / callback
```

```
Link Authentication : disabled
```

```
IPMI Messaging : disabled
```

```
Privilege Level : NO ACCESS
```

```
. . .
```

- c** Assign the desired administrator user name and password and enable messaging for the identified slot. Also set the privilege level for that slot when accessed over LAN (channel 1) to ADMIN (level 4).

For example:

```
# ipmitool user set name 4 bmcuser
```

```
# ipmitool user set password 4 password
```

```
# ipmitool user enable 4
```

```
# ipmitool channel setaccess 1 4 privilege=4
```

```
# ipmitool channel setaccess 1 4 link=on
```

```
# ipmitool channel setaccess 1 4 ipmi=on
```

Where *bmcuser* is the administrative user name, and *password* is the password.

- d Verify the setup using the command `lan print 1`. The output should appear similar to the following:

```
# ipmitool lan print 1

Set in Progress : Set Complete

Auth Type Support : NONE MD2 MD5 PASSWORD

Auth Type Enable : Callback : MD2 MD5

: User : MD2 MD5

: Operator : MD2 MD5

: Admin : MD5 PASSWORD

: OEM : MD2 MD5

IP Address Source : DHCP Address [or Static
Address]

IP Address : 192.168.0.55

Subnet Mask : 255.255.255.0

MAC Address : 00:14:22:23:fa:f9

SNMP Community String : public

IP Header : TTL=0x40 Flags=0x40 Precedence=...

Default Gateway IP : 192.168.0.1

Default Gateway MAC : 00:00:00:00:00:00

.

.

.

# ipmitool channel getaccess 1 4

Maximum User IDs : 10

Enabled User IDs : 2

User ID : 4

User Name : bmcuser
```

Fixed Name : No

Access Available : call-in / callback

Link Authentication : enabled

IPMI Messaging : enabled

Privilege Level : ADMINISTRATOR

- 6 Verify that BMC is accessible and controllable from a remote node in your cluster using the **bmc info** command. For example, if *node2-ipmi* is the network host name assigned to BMC for node2, then to verify the BMC on node2 from node1, enter the following command on node1:

```
$ ipmitool -H node2-ipmi -U bmcuser -P password  
bmc info
```

Where *bmcuser* is the administrator account and *password* is the password.

If BMC is correctly configured, then the information about BMC on the remote node is displayed. If you see an error message, such as **Error: Unable to establish LAN session**, then you must check the BMC configuration on the remote node.

Setting Up a Fibre Channel Cluster

⚠ WARNING: Before you begin any of the procedures in this section, read the safety information that shipped with your system. For additional best practices information, see the Dell Regulatory Compliance website at www.dell.com/regulatory_compliance.

This section helps you to verify the hardware connections, and the hardware and software configurations of the the Fibre Channel cluster.

Hardware Connections for a Fibre Channel Cluster

Figure 3-1 illustrates the hardware connections of a Fibre Channel cluster.

Figure 3-1. Hardware Connections for a Fibre Channel Cluster

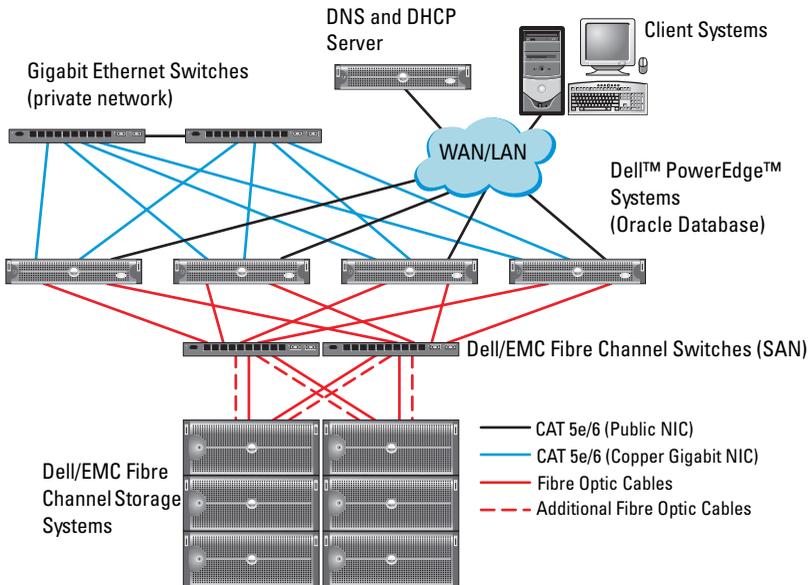


Table 3-1 lists the Fibre Channel hardware connections depicted in Figure 3-1 and summarises the cluster connections.

Table 3-1. Fibre Channel Hardware Interconnections

Cluster Component	Connections
PowerEdge system node	<ul style="list-style-type: none"> • One Category 5 enhanced (CAT 5e) or CAT 6 cable from the public NIC to the LAN • One CAT 5e or CAT 6 cable from the private Gigabit NIC to the Gigabit Ethernet switch • One CAT 5e or CAT 6 cable from a redundant private Gigabit NIC to a redundant Gigabit Ethernet switch • One fibre optic cable from HBA 0 to Fibre Channel switch 0 • One fibre optic cable from HBA 1 to Fibre Channel switch 1
Dell/EMC Fibre Channel storage system	<ul style="list-style-type: none"> • Two CAT 5e or CAT 6 cables connected to the LAN • One to four fibre optic cable connections to each Fibre Channel switch. For example, for a four-port configuration: <ul style="list-style-type: none"> – One fibre optic cable from SPA port 0 to Fibre Channel switch 0 – One fibre optic cable from SPA port 1 to Fibre Channel switch 1 – One fibre optic cable from SPB port 0 to Fibre Channel switch 1 – One fibre optic cable from SPB port 1 to Fibre Channel switch 0
Dell/EMC Fibre Channel switch	<ul style="list-style-type: none"> • One to four fibre optic cable connections to the Dell/EMC Fibre Channel storage system • One fibre optic cable connection to each PowerEdge system HBA
Gigabit Ethernet switch	<ul style="list-style-type: none"> • One CAT 5e or CAT 6 connection to the private Gigabit NIC on each PowerEdge system • One CAT 5e or CAT 6 connection to the remaining Gigabit Ethernet switch

Cabling Your Fibre Channel Storage System

Depending on your requirements, you can configure your Oracle database Fibre Channel cluster storage system in one of the following configurations:

- Direct-attached Fibre Channel (see Figure 3-2)
- Four-port SAN-attached Fibre Channel (see Figure 3-3)

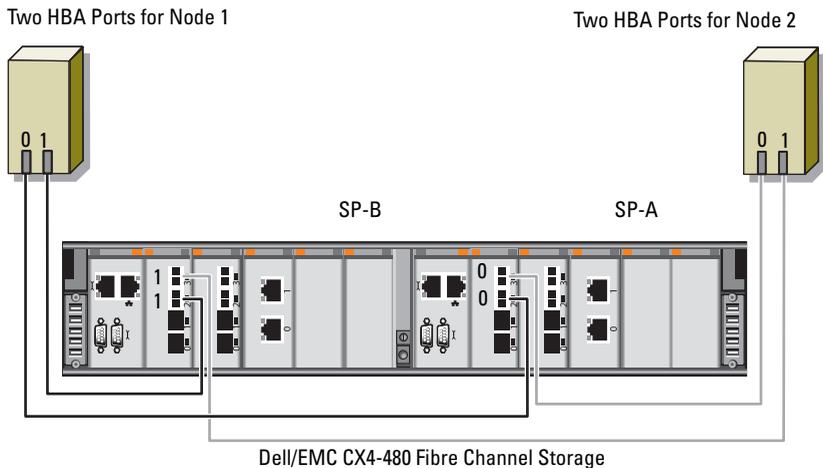
Configuring Direct-Attached Fibre Channel

To configure the nodes in a direct-attached Fibre Channel configuration:

- 1 Connect one optical cable from HBA 0 on node 1 to port 0 of SP-A.
- 2 Connect one optical cable from HBA 1 on node 1 to port 0 of SP-B.
- 3 Connect one optical cable from HBA 0 on node 2 to port 1 of SP-A.
- 4 Connect one optical cable from HBA 1 on node 2 to port 1 of SP-B.

Figure 3-2 illustrates the cable connections in a direct-attached Fibre Channel cluster.

Figure 3-2. Cabling in a Direct-Attached Fibre Channel Cluster



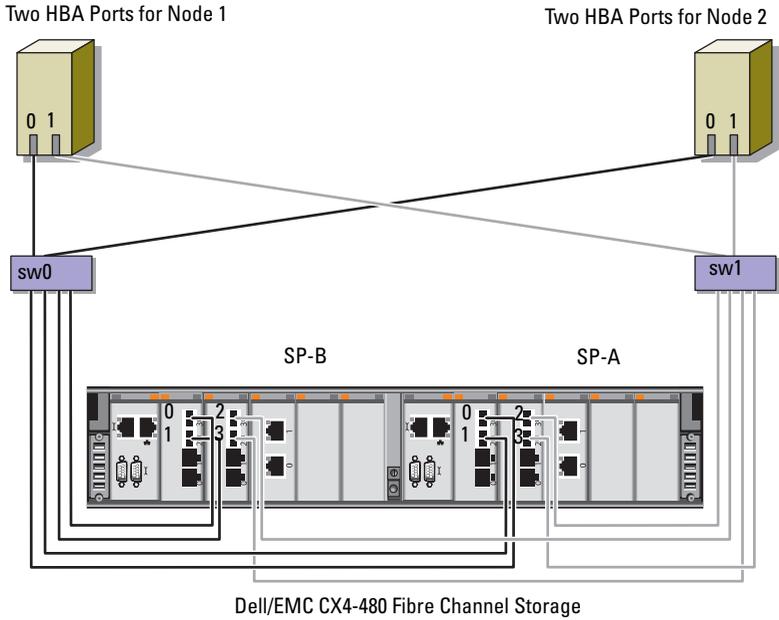
Configuring SAN-Attached Fibre Channel

To configure your nodes in a four-port SAN-attached configuration:

- 1** Connect one optical cable from SP-A port 0 to Fibre Channel switch 0.
- 2** Connect one optical cable from SP-A port 1 to Fibre Channel switch 1.
- 3** Connect one optical cable from SP-A port 2 to Fibre Channel switch 0.
- 4** Connect one optical cable from SP-A port 3 to Fibre Channel switch 1.
- 5** Connect one optical cable from SP-B port 0 to Fibre Channel switch 1.
- 6** Connect one optical cable from SP-B port 1 to Fibre Channel switch 0.
- 7** Connect one optical cable from SP-B port 2 to Fibre Channel switch 1.
- 8** Connect one optical cable from SP-B port 3 to Fibre Channel switch 0.
- 9** Connect one optical cable from HBA 0 on node 1 to Fibre Channel switch 0.
- 10** Connect one optical cable from HBA 1 on node 1 to Fibre Channel switch 1.
- 11** Connect one optical cable from HBA 0 on node 2 to Fibre Channel switch 0.
- 12** Connect one optical cable from HBA 1 on node 2 to Fibre Channel switch 1.

Figure 3-3 illustrates the cable connections in a SAN-attached Fibre Channel cluster.

Figure 3-3. Cabling in a SAN-Attached Fibre Channel Cluster



Setting Up a SAS Cluster for the Dell PowerVault MD3000 and MD1000 Expansion Enclosures

 **WARNING:** Before you begin any of the procedures in this section, read the safety information that shipped with your system. For additional best practices information, see the Dell™ Regulatory Compliance website at www.dell.com/regulatory_compliance.

To configure the Dell PowerEdge™ systems and the Dell PowerVault™ MD3000 and MD1000 storage enclosure to function in a Oracle® Real Application Cluster (RAC) environment:

- 1 Verify the hardware and software configurations using Figure 4-1, Table 4-1, and Figure 4-2.
- 2 Follow the steps in "Setting Up the Hardware" on page 35.

 **CAUTION:** Before you upgrade the firmware on your PowerVault MD3000 storage array, ensure that you backup your data.

Figure 4-1. Cabling the Serial-Attached SCSI (SAS) Cluster and the Dell PowerVault MD3000 Storage Enclosure

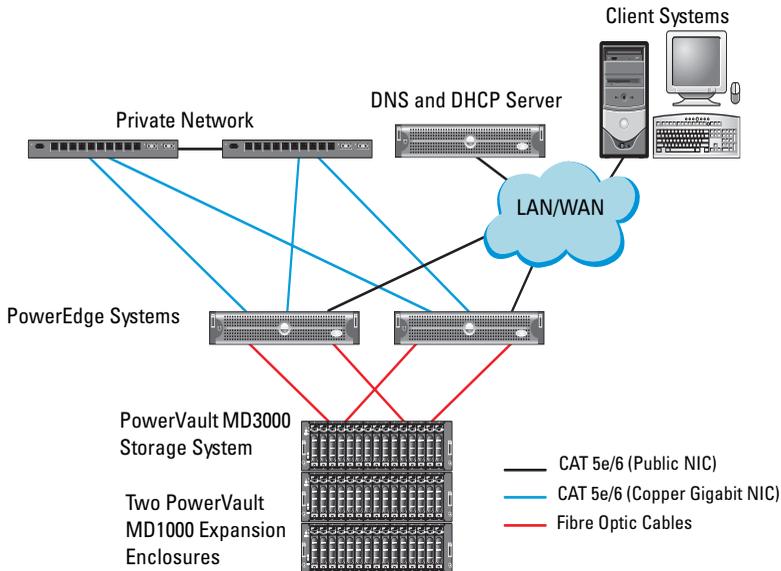


Table 4-1. SAS Cluster Hardware Interconnections

Cluster Component	Connections
PowerEdge system node	<ul style="list-style-type: none"> • One CAT 5e/6 cable from public NIC to the local area network (LAN) • One CAT 5e/6 cable from private Gigabit NIC to Gigabit Ethernet switch (private network) • One CAT 5e/6 cable from redundant private Gigabit NIC to redundant Gigabit Ethernet switch (private network) • Two SAS connections to PowerVault MD3000 system node through the SAS 5/E

Table 4-1. SAS Cluster Hardware Interconnections (continued)

Cluster Component	Connections
PowerVault MD3000 storage enclosure	<ul style="list-style-type: none">• Two CAT 5e/6 cables connected to LAN (one from each storage processor module)• Two SAS connections to each PowerEdge system node through the SAS 5/E cables <p>NOTE: For more information on the PowerVault MD3000 storage enclosure interconnection, see "Setting Up the Hardware" on page 35.</p>
Dell PowerVault MD1000 storage enclosure (optional)	Additional SAS cable connections as required for the PowerVault MD1000 expansion enclosure

Setting Up the Hardware

SAS clusters can only be installed in a direct-attached cluster and are limited to two nodes only.

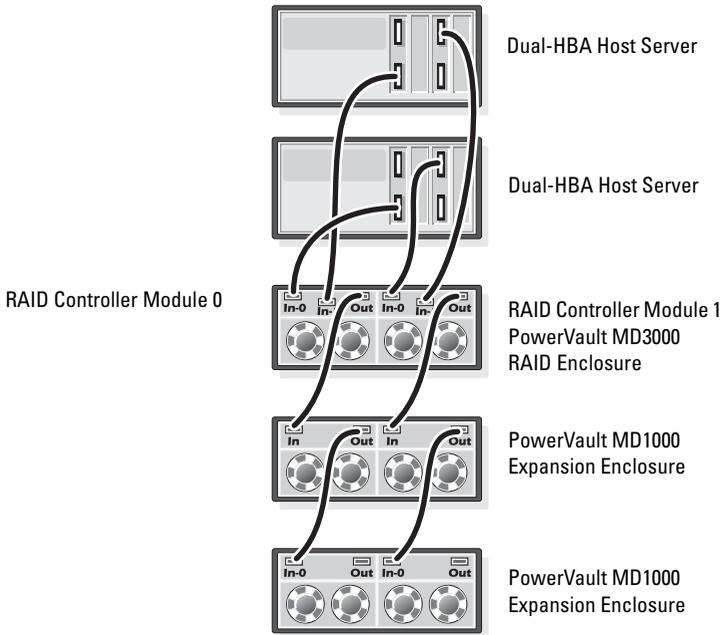
To configure your nodes in a direct-attached configuration:

- 1 Connect one SAS cable from a port of the SAS controller of node 1 to the **In-0** port of RAID controller 0 in the PowerVault MD3000 storage enclosure.
- 2 Connect one SAS cable from the other port of the SAS controller of node 1 to the **In-0** port of RAID controller 1 in the PowerVault MD3000 storage enclosure.
- 3 Connect one SAS cable from a port of the SAS controller of node 2 to the **In-1** port of RAID controller 0 in the PowerVault MD3000 storage enclosure.
- 4 Connect one SAS cable from the other port of SAS controller of node 2 to the **In-1** port of RAID controller 1 in the PowerVault MD3000 storage enclosure.
- 5 If applicable, connect two SAS cables from the two PowerVault MD3000 storage enclosures Out ports to the two In ports of the first PowerVault MD1000 expansion enclosure.

- 6 If applicable, connect two SAS cables from the two PowerVault MD1000 storage enclosures out ports to the **In-0** ports of the second PowerVault MD1000 expansion enclosure.

 **NOTE:** For information on configuring the PowerVault MD1000 expansion enclosure, see the PowerVault MD1000 storage system documentation at support.dell.com/manuals.

Figure 4-2. Cabling the Direct-Attached SAS Cluster



Installing Host-Based Storage Software

To install the necessary host-based storage software for the PowerVault MD3000 storage enclosure, use the *Dell PowerVault Resource* media that shipped with the system. To install the Modular Disk Storage Manager (MDSM) software on the master node and the Multi-Path Input/Output (MPIO) software on the remaining nodes, follow the procedures in the PowerVault MD3000 storage enclosure documentation.

Verifying and Upgrading the Firmware

- 1 Discover the direct-attached storage of the host system using the MDSM software that is installed on the host system.
- 2 Verify that the firmware for the following storage components is at the minimum required version:
 - RAID controller firmware
 - PowerVault MD3000 storage system firmware
 - PowerVault MD1000 expansion enclosure firmware



NOTE: For the minimum firmware version requirements, select the **Dell Validated Components** link at dell.com/oracle.

Installing the SAS 5/E Adapter Driver

Install the SAS 5/E driver from the *PowerVault MD3000 Resource* media.



NOTE: Ensure that the version of the SAS 5/E driver is the same or newer than the version listed in the Solution Deliverable List (SDL) that can be found for each Dell-validated component at dell.com/oracle.

For assistance in installing drivers on both nodes of the cluster, see the documentation that came with the PowerVault MD3000 storage enclosure and the SAS HBAs.

Performing the Post Installation Tasks

After installing the drivers and the software, perform the post installation tasks listed in the *PowerVault MD3000 Installation Guide*. Create the environment shown in the *Dell PowerEdge Systems Oracle Database on Enterprise Linux x86_64 Operating System and Hardware Installation*, and the *Linux Guide*. Both documents are available at support.dell.com/manuals.



NOTE: It is recommended that you configure the disks for the LUNs in a RAID 10 configuration.

Setting Up an iSCSI Cluster for the Dell™ PowerVault™ MD3000i and MD1000 Storage Enclosures

⚠ WARNING: Before you begin any of the procedures in this section, read the safety information that shipped with your system. For additional best practices information, see the Dell Regulatory Compliance website at www.dell.com/regulatory_compliance.

This section provides information and procedures for configuring your Dell PowerEdge™ system and the PowerVault MD3000i and MD1000 storage enclosures to function in a Oracle® Real Application Cluster (RAC) environment.

Verify the hardware connections, and the hardware and software configurations using the Supported Configuration section of the *Dell PowerVault MD3000i Support Matrix* at support.dell.com/manuals.

Table 5-1. iSCSI Hardware Interconnections

Cluster Component	Connections
PowerEdge system node	<ul style="list-style-type: none"> • One CAT 5e/6 cable from public NIC to the local area network (LAN) • One CAT 5e/6 cable from private Gigabit NIC to Gigabit Ethernet switch (private network) • One CAT 5e/6 cable from redundant private Gigabit NIC to redundant Gigabit Ethernet switch (private network) • One CAT 5e/6 cable from iSCSI Gigabit NIC to Gigabit Ethernet switch (iSCSI network)

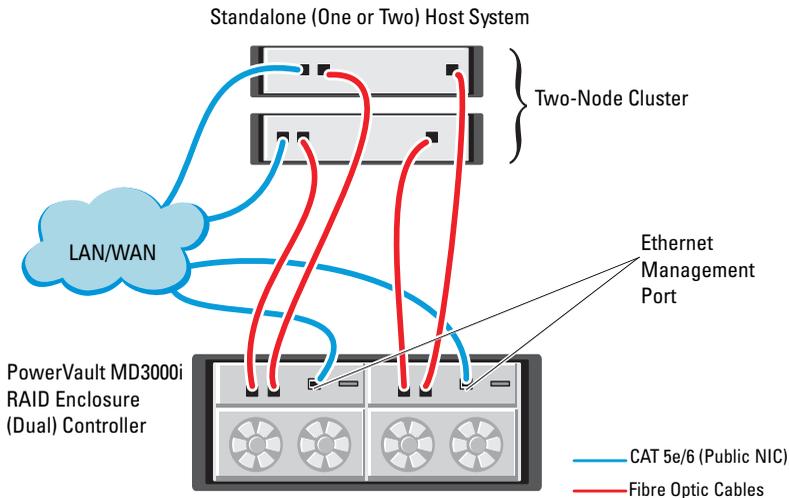
Table 5-1. iSCSI Hardware Interconnections (continued)

Cluster Component	Connections
PowerVault MD3000i storage system	<ul style="list-style-type: none"> Two CAT 5e/6 cables connected to LAN (one from each storage processor module) for the management interface Two CAT 5e/6 cables per storage processor for iSCSI interconnect <p>NOTE: For additional information on the PowerVault MD3000i storage enclosure, see the PowerVault MD3000i documentation at support.dell.com/manuals.</p>
PowerVault MD1000 storage expansion enclosure (optional)	Additional SAS cable connections, as required for the PowerVault MD1000 expansion enclosure

Setting Up the Hardware

Direct-attached iSCSI clusters are limited to two nodes only.

Figure 5-1. Cabling iSCSI Direct-Attached Clusters



To configure your nodes in a direct-attached configuration, see Figure 5-1, and complete the following steps:

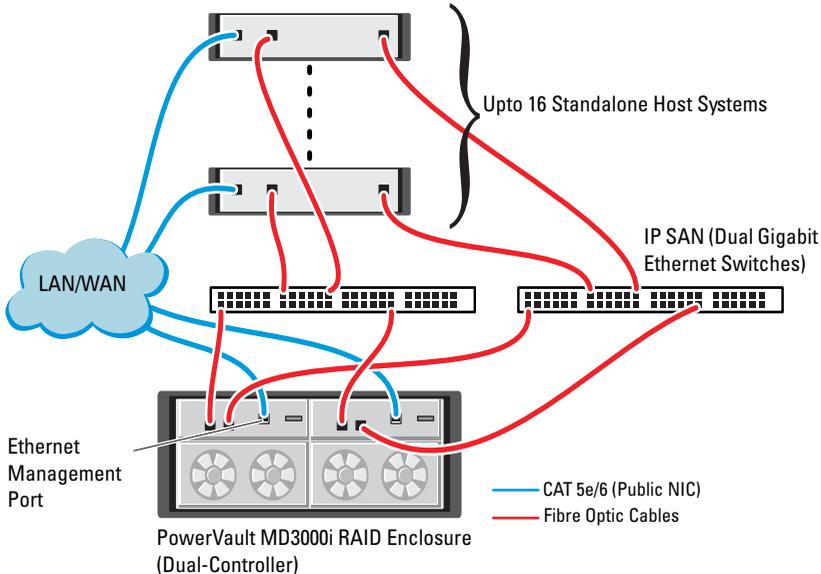
- 1 Connect one CAT 5e/6 cable from a port (iSCSI HBA or NIC) of node 1 to the **In-0** port of RAID controller 0 in the PowerVault MD3000i storage enclosure.
- 2 Connect one CAT 5e/6 cable from the other port (iSCSI HBA or NIC) of node 1 to the **In-0** port of RAID controller 1 in the PowerVault MD3000i storage enclosure.
- 3 Connect one CAT 5e/6 cable from a port (iSCSI HBA or NIC) of node 2 to the **In-1** port of RAID controller 0 in the PowerVault MD3000i storage enclosure.
- 4 Connect one CAT 5e/6 cable from the other port (iSCSI HBA or NIC) of node 2 to the **In-1** port of RAID controller 1 in the PowerVault MD3000i storage enclosure.
- 5 If applicable, connect two SAS cables from the two PowerVault MD3000 storage enclosures out ports to the two In ports of the first PowerVault MD1000 expansion enclosure.
- 6 If applicable, connect two SAS cables from the two PowerVault MD1000 storage enclosures out ports to the **In-0** ports of the second MD1000 expansion enclosure.



NOTE: For information on configuring the PowerVault MD1000 expansion enclosure, see the PowerVault MD3000i storage system documentation at support.dell.com/manuals.

Switched iSCSI clusters can support up to eight nodes.

Figure 5-2. Cabling iSCSI Switched Clusters



To configure your nodes in a switched configuration, see Figure 5-2, and complete the following steps:

- 1 Connect one CAT 5e/6 cable from a port (iSCSI HBA or NIC) of node 1 to the port of network switch 1.
- 2 Connect one CAT 5e/6 cable from a port (iSCSI HBA or NIC) of node 1 to the port of network switch 2.
- 3 Connect one CAT 5e/6 cable from a port (iSCSI HBA or NIC) of node 2 to the port of network switch 1.
- 4 Connect one CAT 5e/6 cable from a port (iSCSI HBA or NIC) of node 2 to the port of network switch 2.
- 5 Connect one CAT 5e/6 cable from a port of switch 1 to the **In-0** port of RAID controller 0 in the PowerVault MD3000i storage enclosure.
- 6 Connect one CAT 5e/6 cable from the other port of switch 1 to the **In-0** port of RAID controller 1 in the PowerVault MD3000i storage enclosure.
- 7 Connect one CAT 5e/6 cable from a port of switch 2 to the **In-1** port of RAID controller 0 in the PowerVault MD3000i storage enclosure.

- 8 Connect one CAT 5e/6 cable from the other port of switch 2 to the **In-1** port of RAID controller 1 in the PowerVault MD3000i storage enclosure.
- 9 If applicable, connect two SAS cables from the two PowerVault MD3000i storage enclosures out ports to the two In ports of the first PowerVault MD1000 expansion enclosure.
- 10 If applicable, connect two SAS cables from the two PowerVault MD3000 storage enclosures out ports to the **In-0** ports of the second PowerVault MD1000 expansion enclosure.



NOTE: For information on configuring the PowerVault MD1000 expansion enclosure, see the PowerVault MD3000i storage system documentation at support.dell.com/manuals. It is recommended to use a separate network for the iSCSI storage infrastructure. If a separate network cannot be dedicated for iSCSI, assign the storage function to a separate virtual local area network (VLAN); this action creates independent logical networks within a physical network.

Installing Host-based Software Needed for Storage

To install the necessary host-based storage software for the PowerVault MD3000i storage system, use the *Dell PowerVault Resource* media that came with your PowerVault MD3000i storage system. Follow the procedures in the PowerVault MD3000i storage enclosure documentation at support.dell.com/manuals, to install the Modular Disk Storage Manager Software on the Master node and the Multi-Path (MPIO) software on the remaining nodes.

Verifying and Upgrading the Firmware

- 1 Discover the direct-attached storage of the host system using the Modular Disk Storage Manager software that is installed on the host system.
- 2 Verify that the firmware for the following storage components is at the minimum required version.
 - MD3000i storage system firmware
 - MD1000 expansion enclosure firmware



NOTE: For the minimum firmware version requirements, select the **Dell Validated Components** link at dell.com/oracle.

Post Installation Tasks

After installing the drivers and the software, perform the post installation tasks listed in the *PowerVault MD3000i Installation Guide* at support.dell.com/manuals, to create the environment shown in Table 5-1 on page 39.

Setting Up an iSCSI Cluster for the Dell EqualLogic PS Series Storage System

 **WARNING:** Before you begin any of the procedures in this section, read the safety information that shipped with your system. For additional best practices information, see the Dell™ Regulatory Compliance website at www.dell.com/regulatory_compliance.

EqualLogic Terminology

The EqualLogic™ PS series storage array includes storage virtualization technology. To better understand how these arrays operate, it is helpful to be familiar with some of the terminology used to describe these arrays and their functions:

- **Member** — A single PS series array
- **Group** — A set of one or more members that can be centrally managed; host systems access the data through a single group IP address
- **Pool** — A RAID that can consist of the disks from one or more members
- **Volume** — A LUN or virtual disk that represents a subset of the capacity of a pool

Setting Up the EqualLogic iSCSI Storage System

Host systems can be attached to the EqualLogic PS5000XV iSCSI array through an IP SAN industry-standard Gigabit Ethernet switch. Figure 6-1 shows the recommended network configuration for a dual control module EqualLogic PS5000XV array. This configuration includes two Dell PowerConnect™ 6200 series Gigabit Ethernet switches to provide the highest network availability and the maximum network bandwidth.

NOTE: It is recommended to use two Gigabit Ethernet switches. In the event of a switch failure in a single Ethernet switch environment, all hosts lose access to the storage until the switch is physically replaced and the configuration restored. In such a configuration, there must be multiple ports with link aggregation providing the inter-switch, or trunk connection. From each of the control modules, it is recommended to connect one Gigabit interface to one Ethernet switch, and to connect the other two Gigabit interfaces to the other Ethernet switch.

Figure 6-1. Recommended Network Configuration

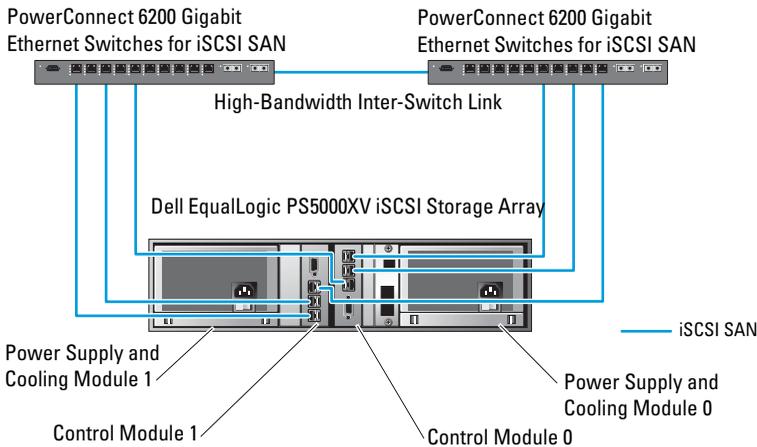
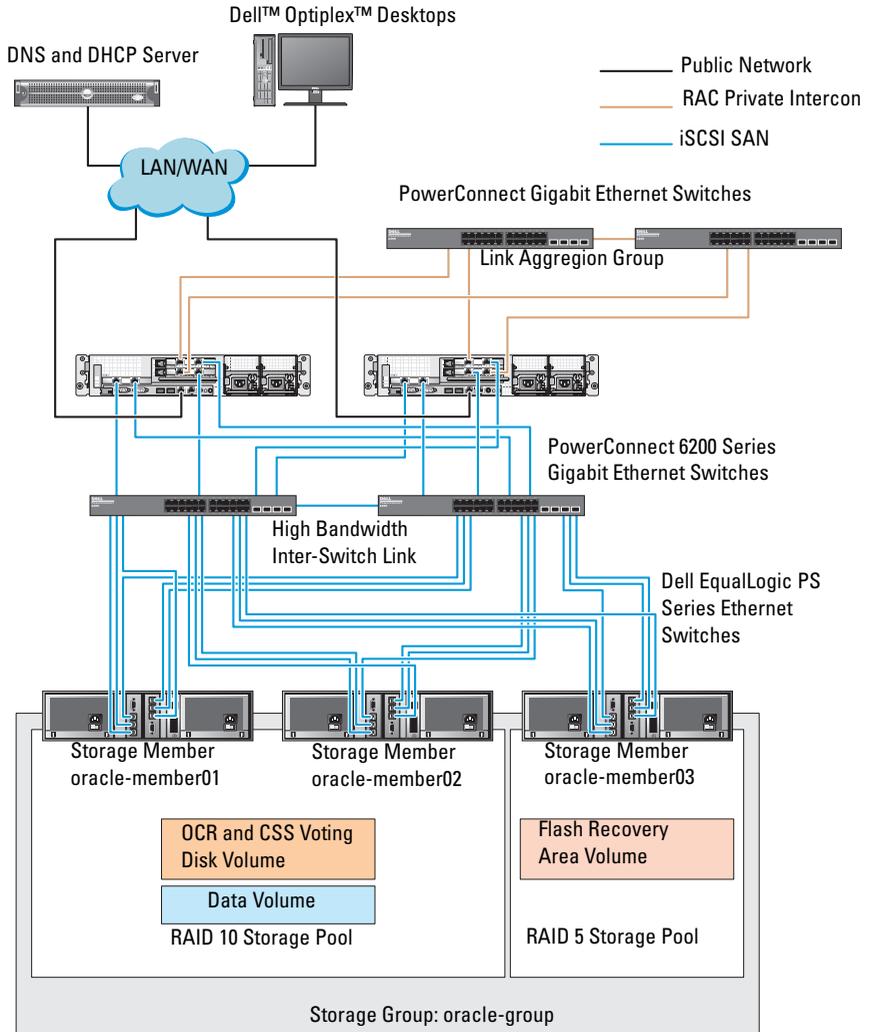


Figure 6-2 is an architectural overview of a sample Oracle® Real Application Cluster (RAC) configuration with three Dell EqualLogic PS5000XV arrays. The Dell EqualLogic PS5000XV storage arrays provide the physical storage capacity for the RAC database. The group **oracle-group** includes three Dell EqualLogic PS5000XV members: **oracle-member01**, **oracle-member02**, and **oracle-member03**. When a member is initialized, it can be configured with RAID 10, RAID 5, or RAID 50.

Figure 6-2. Configuring a Sample Oracle® RAC With Three PS5000XV Arrays



NOTE: For more information on how to initialize an EqualLogic array, see the *Dell EqualLogic User's Guide* at support.dell.com/manuals.

An EqualLogic PS-series storage group can be segregated into multiple tiers or pools. Tiered storage provides administrators with greater control over how disk resources are allocated. At any one time, a member can be assigned to only one pool. It is easy to assign a member to a pool and to move a member between pools with no impact to data availability. Pools can be organized according to different criteria, such as disk types or speeds, RAID levels, and application types.

In Figure 6-2, pools are organized by member RAID levels:

- One pool with the name RAID 10 consists of RAID10 members.
- One pool with the name RAID 5 consists of RAID5 members.

Creating Volumes

Before data can be stored, the physical disks of the EqualLogic PS5000XV storage array must be configured into usable components, known as volumes. A volume represents a portion of the storage pool, with a specific size, access controls, and other attributes. A volume can be spread across multiple disks and group members. The volume is seen on the network as an iSCSI target. Volumes are assigned to a pool and can be easily moved between pools, with no impact to data availability. In addition, based on the overall workload of the storage hardware resources within the pool, automatic data placement and automatic load balancing occurs within a pool.

Table 6-1 shows a sample volume configuration.

Table 6-1. Configuring Volumes for Oracle RAC

Number of Volumes	Minimum Size	RAID	Number of Partitions	Used For	Operating System Mapping
Five	1024 MB	10	One	Voting Disk, Oracle Cluster Registry (OCR)	ASM disk group for Cluster Registry (OCR) and Voting disk
One	Larger than the size of your database	10	One	Data	ASM disk group DATABASEDG
One	Minimum twice the size of your second area volume(s)	5	One	Flash Recovery Area	ASM disk group FLASHBACKDG
One (Optional)	10 GB	10	One	Shared DB Home	ASM disk group for Shared DB Home

Create volumes in the Dell EqualLogic PS5000XV array and create access list to allow all host iSCSI network interfaces to access the volumes. For example, the following volumes are created:

- **mdi-ocr**
- **mdi-data1**
- **mdi-fra1**

Configuring the iSCSI Networks

It is recommended to configure the host network interfaces for iSCSI traffic to use **Flow Control** and **Jumbo Frame** for optimal performance.

Use the `ethtool` utility to configure **Flow Control**.

Use the following command to check for **Flow Control (RX/TX Pause)** on the interfaces: `# ethtool -a <interface>`

For example:

```
# ethtool -a eth2
Pause parameters for eth2:
Autonegotiate:      on
RX:                 on
TX:                 on
```

This example shows that **Flow Control** is already turned on. If not, use the following command to turn on **Flow Control**:

```
# ethtool -A <interface> rx on tx on
```

Jumbo Frame is configured in the `/etc/sysconfig/network-scripts/ifcfg-<interface>` scripts, by adding the `MTU="<mtu-value>"` parameter.

The example below shows the **MTU** set to **9000**.

```
# cat /etc/sysconfig/network-scripts/ifcfg-eth2
DEVICE=eth2
HWADDR=00:15:17:80:43:50
ONBOOT=yes
TYPE=Ethernet
BOOTPROTO=none
IPADDR=10.16.7.125
NETMASK=255.255.255.0
USERCTL=no
MTU=9000
```

Verify the **Jumbo Frame** setting using the `ifconfig` command:

```
$ ifconfig eth2
eth2      Link encap:Ethernet  HWaddr
00:15:17:80:43:50
          inet addr:10.16.7.125  Bcast:10.16.7.255
Mask:255.255.255.0
          inet6 addr: fe80::215:17ff:fe80:4350/64
Scope:Link
          UP BROADCAST RUNNING MULTICAST  MTU:9000
Metric:1
          RX packets:3348411 errors:0 dropped:0
overruns:0 frame:0
          TX packets:2703578 errors:0 dropped:0
overruns:0 carrier:0
          collisions:0 txqueuelen:1000
          RX bytes:10647052076 (9.9 GiB) TX
bytes:11209177325 (10.4 GiB)
          Memory:d5ee0000-d5f00000
```

Configuring Host Access to Volumes

This section provides information about configuring the host access to iSCSI volumes using the `iscsiadm` tool. The `iscsiadm` tool is the open-iSCSI administration utility.

- 1 Log into the system as `root`. Verify the open-iSCSI initiator software is installed on all host systems:

```
rpm -qa|grep -i iscsi-initiator
```

If the open-iSCSI initiator RPM is installed, the following output is displayed:

```
iscsi-initiator-utils-6.2.0.868-0.7.el5
```

If the output is not displayed, install the open-iSCSI initiator RPM.

- 2 Start up the iSCSI service.

```
service iscsi start
```
- 3 Enable the iSCSI service start-up at boot time.

```
hkconfig --add iscsi
chkconfig iscsi on
chkconfig --list iscsi
```

- 4 Obtain the hardware address of each network interface on the host used for iSCSI traffic.

```
grep -i hwaddr /etc/sysconfig/network-  
scripts/ifcfg-ethn,  
where n is the network interface number.
```

- 5 Create an interface for each network interface on the host used for iSCSI traffic.

```
iscsiadm -m iface -I iface_name --op=new,  
where, iface_name is the name assigned to the interface.  
iscsiadm -m iface -I iface_name --op=update -n  
iface.hwaddress -v hardware_address  
where, hardware_address is the hardware address of the interface obtained  
in step 4.
```

For example, the following commands create an interface named **eth0-iface** for the **eth0** interface whose hardware address is **00:18:8B:4E:E6:CC**:

```
# iscsiadm -m iface -I eth0-iface --op=new
```

The new interface **eth0-iface** is added.

```
# iscsiadm -m iface -I eth0-iface --op=update -n  
iface.hwaddress -v 00:18:8B:4E:E6:CC  
eth0-iface updated
```

- 6 Verify the interfaces are created and associated properly:

```
iscsiadm -m iface
```

- 7 Modify the CHAP information in **/etc/iscsi/iscsid.conf** on the host.

```
node.session.auth.username = username  
node.session.auth.password = password  
discovery.sendtargets.auth.username = username  
discovery.sendtargets.auth.password = password  
where, username is the CHAP username defined in the EqualLogic  
storage, and password is the CHAP password defined in the EqualLogic  
storage.
```

- 8 Restart the iSCSI service for the new configuration to take effect.

```
service iscsi stop  
service iscsi start
```

9 Discover the targets from all **ifaces** created in step 5.

```
iscsiadm -m discovery -t st -p group_ip_address --
interface=iface_name1 --interface=iface_name2 --
interface=iface_name3 --interface=iface_name4,
```

where, **group_ip_address** is the IP address of the EqualLogic storage group, **iface_name1**, **iface_name2**, **iface_name3**, **iface_name4**, etc, are the network interfaces (as defined in step 5) on the host that is used for iSCSI traffic.

For example, the following command discovers four volumes at group IP address **10.16.7.100**, from a host with two interfaces named as **eth0-iface** and **eth1-iface**:

```
# iscsiadm -m discovery -t st -p 10.16.7.100 --
interface=eth0-iface --interface=eth1-iface
10.16.7.100:3260,1 iqn.2001-05.com.equallogic:
0-8a0906-90ee59d02-e26f999767b4942e-mdi-ocr-css-
spfile
10.16.7.100:3260,1 iqn.2001-05.com.equallogic:
0-8a0906-90ee59d02-e26f999767b4942e-mdi-ocr-css-
spfile
10.16.7.100:3260,1 iqn.2001-05.com.equallogic:
0-8a0906-93ee59d02-674f999767d4942e-mdi-data1
10.16.7.100:3260,1 iqn.2001-05.com.equallogic:
0-8a0906-93ee59d02-674f999767d4942e-mdi-data1
10.16.7.100:3260,1 iqn.2001-05.com.equallogic:
0-8a0906-95ce59d02-2e0f999767f4942e-mdi-data2
10.16.7.100:3260,1 iqn.2001-05.com.equallogic:
0-8a0906-95ce59d02-2e0f999767f4942e-mdi-data2
10.16.7.100:3260,1 iqn.2001-05.com.equallogic:
0-8a0906-97be59d02-d7ef99976814942e-mdi-fr1
10.16.7.100:3260,1 iqn.2001-05.com.equallogic:
0-8a0906-97be59d02-d7ef99976814942e-mdi-fr1
```

- 10** Verify all volumes are discovered from all the **ifaces** on the host:

```
iscsiadm -m discovery --print=1
```

For example:

```
# iscsiadm -m discovery --print=1
```

SENDTARGETS:

```
DiscoveryAddress: 10.16.7.100,3260
```

```
Target: iqn.2001-05.com.equallogic:0-8a0906-90ee59d02-e26f999767b4942e-mdi-ocr-css-spfile
```

```
Portal: 10.16.7.100:3260,1
```

```
Iface Name: eth0-iface
```

```
Iface Name: eth1-iface
```

```
Target: iqn.2001-05.com.equallogic:0-8a0906-93ee59d02-674f999767d4942e-mdi-data1
```

```
Portal: 10.16.7.100:3260,1
```

```
Iface Name: eth0-iface
```

```
Iface Name: eth1-iface
```

```
Target: iqn.2001-05.com.equallogic:0-8a0906-95ce59d02-2e0f999767f4942e-mdi-data2
```

```
Portal: 10.16.7.100:3260,1
```

```
Iface Name: eth0-iface
```

```
Iface Name: eth1-iface
```

```
Target: iqn.2001-05.com.equallogic:0-8a0906-97be59d02-d7ef99976814942e-mdi-fra1
```

```
Portal: 10.16.7.100:3260,1
```

```
Iface Name: eth0-iface
```

```
Iface Name: eth1-iface
```

iSNS:

```
No targets found.
```

STATIC:

```
No targets found.
```

- 11** Log into all targets (volumes) from each interface you created in step 5:
`iscsiadm -m node -p group_ip_address --interface iface_name --login`,
where, **group_ip_address** is the IP address of the EqualLogic storage group, and **iface_name** is the network interface (as defined in step 5) on the host that is used for iSCSI traffic.

The following example logs into three volumes from each of the two **ifaces** (**eth0-iface** and **eth1-iface**) on a host.

```
# iscsiadm -m node -p 10.16.7.100 --interface eth0-iface --login
Logging in to [iface: eth0-iface, target: iqn.2001-05.com.equallogic:0-8a0906-90ee59d02-e26f999767b4942e-mdi-ocr-css-spfile, portal: 10.16.7.100,3260]
Logging in to [iface: eth0-iface, target: iqn.2001-05.com.equallogic:0-8a0906-95ce59d02-2e0f999767f4942e-mdi-data2, portal: 10.16.7.100,3260]
Logging in to [iface: eth0-iface, target: iqn.2001-05.com.equallogic:0-8a0906-93ee59d02-674f999767d4942e-mdi-data1, portal: 10.16.7.100,3260]
Logging in to [iface: eth0-iface, target: iqn.2001-05.com.equallogic:0-8a0906-97be59d02-d7ef99976814942e-mdi-fra1, portal: 10.16.7.100,3260]
Login to [iface: eth0-iface, target: iqn.2001-05.com.equallogic:0-8a0906-90ee59d02-e26f999767b4942e-mdi-ocr-css-spfile, portal: 10.16.7.100,3260]: successful
Login to [iface: eth0-iface, target: iqn.2001-05.com.equallogic:0-8a0906-95ce59d02-2e0f999767f4942e-mdi-data2, portal: 10.16.7.100,3260]: successful
```

```
Login to [iface: eth0-iface, target: iqn.2001-05.com.equallogic:0-8a0906-93ee59d02-674f999767d4942e-mdi-data1, portal: 10.16.7.100,3260]: successful

Login to [iface: eth0-iface, target: iqn.2001-05.com.equallogic:0-8a0906-97be59d02-d7ef99976814942e-mdi-fral, portal: 10.16.7.100,3260]: successful

# iscsiadm -m node -p 10.16.7.100 --interface eth1-iface --login

Logging in to [iface: eth1-iface, target: iqn.2001-05.com.equallogic:0-8a0906-90ee59d02-e26f999767b4942e-mdi-ocr-css-spfile, portal: 10.16.7.100,3260]

Logging in to [iface: eth1-iface, target: iqn.2001-05.com.equallogic:0-8a0906-95ce59d02-2e0f999767f4942e-mdi-data2, portal: 10.16.7.100,3260]

Logging in to [iface: eth1-iface, target: iqn.2001-05.com.equallogic:0-8a0906-93ee59d02-674f999767d4942e-mdi-data1, portal: 10.16.7.100,3260]

Logging in to [iface: eth1-iface, target: iqn.2001-05.com.equallogic:0-8a0906-97be59d02-d7ef99976814942e-mdi-fral, portal: 10.16.7.100,3260]

Login to [iface: eth1-iface, target: iqn.2001-05.com.equallogic:0-8a0906-90ee59d02-e26f999767b4942e-mdi-ocr-css-spfile, portal: 10.16.7.100,3260]: successful

Login to [iface: eth1-iface, target: iqn.2001-05.com.equallogic:0-8a0906-95ce59d02-2e0f999767f4942e-mdi-data2, portal: 10.16.7.100,3260]: successful
```

```
Login to [iface: eth1-iface, target: iqn.2001-05.com.equallogic:0-8a0906-93ee59d02-674f999767d4942e-mdi-data1, portal: 10.16.7.100,3260]: successful
```

```
Login to [iface: eth1-iface, target: iqn.2001-05.com.equallogic:0-8a0906-97be59d02-d7ef99976814942e-mdi-fra1, portal: 10.16.7.100,3260]: successful
```

- 12** Display and verify all active connections and sessions:
`iscsiadm -m session -i`
- 13** Verify that the partitions are visible in operating system:
`cat /proc/partitions`
- 14** Repeat step 1 to step 13 on all the other hosts in the cluster.

Configuring Device Mapper Multipath to Volumes

- 1** Run the `/sbin/scsi_id` command against the devices created for Oracle to obtain their unique device identifiers:

```
/sbin/scsi_id -gus /block/<device>
```

For example:

```
# scsi_id -gus /block/sda
```

- 2** Uncomment the following section in `/etc/multipath.conf`.

```
blacklist {
    wwid 26353900f02796769
    devnode "^(ram|raw|loop|fd|md|dm-
|sr|scd|st) [0-9]*"
    devnode "^hd[a-z]"
}
```

- 3** Uncomment the following section in `/etc/multipath.conf`.

```
defaults {
    udev_dir                /dev
    polling_interval        10
    selector                "round-robin 0"
    path_grouping_policy    multibus
    getuid_callout          "/sbin/scsi_id -g -u -s
/block/%n"
    prio_callout            /bin/true
    path_checker            readsector0
    rr_min_io               100
    max_fds                 8192
    rr_weight               priorities
    failback                immediate
    no_path_retry           fail
    user_friendly_names     yes
}
```

- 4** Add the following section in `/etc/multipath.conf`. The **WWID** is obtained from step 1. Ensure the alias names are consistent on all hosts in the cluster.

```
multipaths {
    multipath {
        wwid    WWID_of_volume1
        alias   alias_of_volume1
    }
    multipath {
        wwid    WWID_of_volume2
        alias   alias_of_volume2
    }
}
```

(Add a multipath subsection for each additional volume.)

```
}
```

The following sample includes configurations of four volumes.

```
multipaths {
    multipath {
        wwid          36090a028d059ee902e94b4
6797996fe2
        alias         ocr-css-spfile
    }
    multipath {
        wwid          36090a028d059ee932e94d4
6797994f67
        alias         data1
    }
    multipath {
        wwid          36090a028d059ce952e94f4
6797990f2e
        alias         data2
    }
    multipath {
        wwid          36090a028d059be972e9414
689799efd7
        alias         fra1
    }
}
```

- 5 Restart the multipath daemon and verify the alias names are displayed in the **multipath -ll** output.

```
service multipathd restart
multipath -ll
```

For example,

```
fra1 (36090a028d059be972e9414689799efd7) dm-13
EQLOGIC,100E-00
[size=5.0G][features=1
queue_if_no_path][hwandler=0]
\_ round-robin 0 [prio=0][enabled]
\_ 96:0:0:0 sds 65:32 [active][ready]
\_ 92:0:0:0 sdab 65:176 [active][ready]
```

```

ocr-css-spfile
(36090a028d059ee902e94b46797996fe2) dm-11
EQLOGIC,100E-00
[size=2.0G][features=1
queue_if_no_path][hwhandler=0]
\_ round-robin 0 [prio=0][enabled]
\_ 93:0:0:0 sdf 8:80 [active][ready]
\_ round-robin 0 [prio=0][enabled]
\_ 86:0:0:0 sdad 65:208 [active][ready]

data2 (36090a028d059ce952e94f46797990f2e) dm-8
EQLOGIC,100E-00
[size=20G][features=1
queue_if_no_path][hwhandler=0]
\_ round-robin 0 [prio=0][enabled]
\_ 97:0:0:0 sdc 8:32 [active][ready]
\_ 98:0:0:0 sdd 8:48 [active][ready]

data1 (36090a028d059ee932e94d46797994f67) dm-18
EQLOGIC,100E-00
[size=20G][features=1
queue_if_no_path][hwhandler=0]
\_ round-robin 0 [prio=0][enabled]
\_ 95:0:0:0 sdq 65:0 [active][ready]
\_ 89:0:0:0 sdac 65:192 [active][ready]

```

- 6 Verify the `/dev/mapper/*` devices are created. These devices names must be used to access and interact with multipath devices in the subsequent sections.

For example,

```

# ls -lt /dev/mapper/*

crw----- 1 root root 10, 63 Dec 15 11:22
/dev/mapper/control
brw-rw---- 1 root disk 253, 18 Dec 15 11:51
/dev/mapper/data1
brw-rw---- 1 root disk 253, 8 Dec 15 13:47
/dev/mapper/data2
brw-rw---- 1 root disk 253, 13 Dec 15 11:51
/dev/mapper/fral

```

```
brw-rw---- 1 root disk 253, 11 Dec 15 11:51  
/dev/mapper/ocr-css-spfile  
brw-rw---- 1 root disk 253,  6 Dec 15 11:22  
/dev/mapper/osvg-crs  
brw-rw---- 1 root disk 253,  3 Dec 15 11:22  
/dev/mapper/osvg-home  
brw-rw---- 1 root disk 253,  4 Dec 15 11:22  
/dev/mapper/osvg-opt  
brw-rw---- 1 root disk 253,  0 Dec 15 11:22  
/dev/mapper/osvg-root  
brw-rw---- 1 root disk 253,  7 Dec 15 11:22  
/dev/mapper/osvg-swap  
brw-rw---- 1 root disk 253,  1 Dec 15 11:22  
/dev/mapper/osvg-tmp  
brw-rw---- 1 root disk 253,  2 Dec 15 11:22  
/dev/mapper/osvg-usr  
brw-rw---- 1 root disk 253,  5 Dec 15 11:22  
/dev/mapper/osvg-var
```

- 7** Repeat step 1 to step 7 on all other hosts in the cluster.

Configuring Database Storage on the Host

 **WARNING:** Before you begin any of the procedures in this section, read the safety information that shipped with your system. For additional best practices information, see the Dell Regulatory Compliance website at www.dell.com/regulatory_compliance.

Oracle® Real Application Clusters (RAC) is a complex database configuration that requires an ordered list of procedures. The following sections describe how to verify, adjust, and configure the storage disks for the Fibre Channel, direct-attached SAS, or iSCSI storage on your host.

Verifying and Identifying Your Storage Disks

While configuring the clusters, create partitions on your Fibre Channel, direct-attached SAS, or iSCSI storage system. To create the partitions, all the nodes must detect the external storage devices.

 **NOTE:** The procedure in this section describes how to deploy the Oracle database for direct-attached SAS storage as well as for Fibre Channel storage. In the following procedures, Fibre Channel storage nomenclature is used. If direct-attached SAS or iSCSI storage (Dell™ PowerVault™ MD3000, MD3000i, or Dell EqualLogic storage array) is used, see Table 7-1 to translate Fibre Channel nomenclature to direct-attached SAS or iSCSI storage nomenclature.

Table 7-1. Fibre Channel, Direct-Attached SAS, and EqualLogic Array Nomenclature

Fibre Channel Storage	Direct-Attached SAS or iSCSI (MD3000/MD3000i)	EqualLogic Array Volumes
LUNs	Virtual disks	Volumes
/dev/emcpower(X)	/dev/sd(X)	/dev/sd(X)
PowerPath	Multi-Path (MPIO)	Device Mapper

To verify that each node can detect each storage LUN or logical disk:

- 1 For the Dell/EMC Fibre Channel storage system, verify that the EMC[®] Navisphere[®] agent and the correct version of PowerPath[®] are installed on each node. Verify that each node is assigned to the correct storage group in the EMC Navisphere software. For instructions, see the documentation that came with your Dell/EMC Fibre Channel storage system.



NOTE: If you are installing the cluster or reinstalling the software on a node, you must perform step 1.

- 2 Visually verify that the storage devices and the nodes are connected correctly to the Fibre Channel switch (see Figure 3-1 and Table 3-1).
- 3 Verify that you are logged in as **root**.
- 4 On *each node*, type:

```
more /proc/partitions
```

The node detects and displays the LUNs or logical disks, as well as the partitions created on these external devices.



NOTE: The listed devices vary depending on how your storage system is configured.

A list of the LUNs or logical disks that are detected by the node is displayed, as well as the partitions that are created on those external devices. PowerPath pseudo devices appear in the list, such as `/dev/emcpowera`, `/dev/emcpowerb`, and `/dev/emcpowerc`.

In the case of a direct-attached SAS or iSCSI configurations, the virtual disks appears as `/dev/sdb` and `/dev/sdc`.

5 In the `/proc/partitions` file, ensure that:

- All PowerPath pseudo devices appear in the file with similar device names across all nodes.
For example: `/dev/emcpowera`, `/dev/emcpowerb`, and `/dev/emcpowerc`.
- In the case of the PowerVault MD3000, MD3000i, or the EqualLogic storage array, all the virtual disks or volumes appear in the file with similar device names across all nodes.
For example: `/dev/sdb`, `/dev/sdc`, and `/dev/sdd`
- The external storage logical volumes appear as SCSI devices and each node is configured with the same number of LUNs, virtual disks, or volumes. For example, if the node is configured with a SCSI drive or RAID container attached:

On a Fibre Channel storage device with three logical disks:

- `sda` identifies the node's RAID container or internal drive
- `emcpowera`, `emcpowerb`, and `emcpowerc` identifies the LUNs (or PowerPath pseudo devices)

On a direct-attached SAS or iSCSI storage device with three virtual disks:

- `sda` identifies the RAID container or internal drive of the node
- `sdb`, `sdc`, and `sdd` identifies the external storage logical volumes

6 If the external storage devices do not appear in the `/proc/partitions` file, reboot the node.

Adjusting Disk Partitions for Systems Running the Linux Operating System

 **CAUTION:** In a system running the Linux operating system, align the partition table before data is written to the LUN/virtual disk. The partition map is rewritten and all data on the LUN/virtual disk is destroyed.

Example: fdisk Utility Arguments

The following example indicates the arguments for the **fdisk** utility. In this example, the LUN is mapped to `/dev/emcpowera`, and the LUN stripe element size is 128 blocks.

 **NOTE:** In this example, the disk `/dev/emcpowera` already contains a primary partition `/dev/emcpowera1`. In the case of the PowerVault MD3000, MD3000i, or EqualLogic storage array, the partitions are created on `/dev/sdb1`.

```
fdisk /dev/emcpowera
```

 **NOTE:** Create a partition on `/dev/emcpowera` before performing the following steps.

```
x # expert mode
b # adjust starting block number
l # choose partition 1
128 # set it to 128, (This is the default stripe element size on
the Dell/EMC CX series Fibre Channel storage)
w # write the new partition
```

For LUNs that have a snapshot, clone, or MirrorView image, it is recommended that you use the **fdisk** method than the LUN alignment offset method. It is also recommended that you make a SAN copy of the sources and targets.

Using the fdisk Utility to Adjust a Disk Partition

- 1 At the command prompt, type the following:
`fdisk <PartitionName>`,
where `<PartitionName>` is the name of the partition that you are adjusting.
For example, if the partition name is `/dev/emcpowera`, type:
`fdisk /dev/emcpowera`
The system displays the following message:
The number of cylinders for this disk is set
to 8782.
There is nothing wrong with that, but this is
larger than 1024, and could in certain setups
cause problems with:
1) software that runs at boot time (e.g., old
versions of LILO)
2) booting and partitioning software from
other OSs
(e.g., DOS FDISK, OS/2 FDISK)
- 2 At the command prompt, type the following `fdisk` utility argument: `x`
- 3 At the command prompt, type the following `fdisk` utility argument: `b`
- 4 When prompted for the partition number, type the partition number
at the command prompt. For example: `1`
- 5 Specify the new location on the disk partition for the beginning of data.
For example: `128`
- 6 At the command prompt, type the following `fdisk` utility argument: `w`
The system displays the following message:
The partition table has been altered!
Calling `ioctl()` to re-read partition table.
Syncing disks.
- 7 Repeat step 1 through step 6 for all Oracle data LUNs.

Configuring Shared Storage for Clusterware, Database and Recovery Files in a RAC Environment

Use the ORACLEASM library driver to configure disks for Automatic Storage Management (ASM). To configure the ASM disks:

- 1** Log in as `root`.
- 2** Open a terminal window and perform the following steps on all nodes:
 - a** Type `service oracleasm configure`
 - b** Enter the following inputs for all the nodes:
Default user to own the driver interface []:grid
Default group to own the driver interface []:asmadmin
Start Oracle ASM library driver on boot (y/n) [n]:y
Fix permissions of Oracle ASM disks on boot (y/n) [y]:y
- 3** Perform this step only if the RAC configuration uses an EqualLogic iSCSI storage and a Linux Device Mapper Multipath driver.
 - a** Set the `ORACLEASM_SCANORDER` parameter in `/etc/sysconfig/oracleasm` to `dm`.
 - b** Reboot the system to apply the changes.
- 4** On the first node in the terminal window, type the following and press `<Enter>`:

```
service oracleasm createdisk ASM1 /dev/emcpowerb1  
service oracleasm createdisk ASM2 /dev/emcpowerc1
```
- 5** Repeat step 4 for any additional ASM disks that need to be created.

- 6 Verify that the ASM disks are created and marked for ASM usage. In the terminal window, type the following and press <Enter>:

```
service oracleasm listdisks
```

The disks that you created in step 4 are displayed. For example:

```
ASM1
```

```
ASM2
```

- 7 Ensure that the remaining nodes are able to access the ASM disks that you created in step 4. On each remaining node, open a terminal window, type the following, and press <Enter>:

```
service oracleasm scandisks
```


Index

A

alias names, 58

B

bonded pair, 12

C

cable

CAT 5e, 28

CAT 6, 28

cabling

Fibre Channel storage, 29

iSCSI cluster, 40

certification and training

Dell, 8

Oracle, 9

D

Dell|EMC Fibre Channel

storage, 28

switch, 28

Domain Naming Service, 11

E

EMC

Navisphere, 64

PowerPath, 64

Enterprise Linux, 8

ethernet switch, 28

F

Fibre Channel

direct-attached configuration, 29

SAN-attached configuration, 30

H

help, 8

Dell support, 8

Oracle support, 9

high availability, 13

I

ifconfig, 12

IP address

private IP address, 11

public IP address, 11

virtual IP address, 11

J

Jumbo Frame, 50

L

link monitoring, 13

logical unit number, 8

M

Modular Disk Storage
Manager, 37

MPIO software, 37

MTU, 50

N

network bonding, 13

network parameters, 13

NIC

port assignments, 11

P

PowerConnect switch, 46

PowerPath pseudo devices, 64

R

Resource Media

PowerVault MD3000, 37

S

SAS

cluster setup, 33, 39, 45, 63

T

term

Group, 45

Member, 45

Pool, 45

Volume, 45

V

virtual disk, 8

volumes, 48

Dell™ PowerEdge™ 系统
Enterprise Linux® x86_64 上的
Oracle® Database

存储设备和
网络指南
1.3 版



注、小心和警告



注：“注”表示可以帮助您更好地使用计算机的重要信息。



小心：“小心”表示如果不遵循说明，就有可能损坏硬件或导致数据丢失。



警告：“警告”表示可能会造成财产损失、人身伤害甚至死亡。

本说明文件中的信息如有更改，恕不另行通知。

© 2010 Dell Inc. 版权所有，翻印必究。

未经 Dell Inc. 书面许可，严禁以任何形式复制这些材料。

本文中使用的商标：*Dell*、*DELL* 徽标、*EqualLogic*、*Optiplex*、*PowerConnect*、*PowerEdge* 和 *PowerVault* 是 Dell Inc. 的商标；*Broadcom* 是 Broadcom Corp 的商标；*EMC*、*Navisphere* 和 *PowerPath* 是 EMC Corporation 的注册商标；*Intel* 是 Intel 在美国和其它国家/地区的注册商标；*Oracle* 是 Oracle Corporation 和/或其子公司的注册商标。*Red Hat* 和 *Red Hat Enterprise Linux* 是 Red Hat, Inc. 在美国和其它国家/地区的注册商标。

本说明文件中提及的其它商标和产品名称是指拥有相应商标和产品名称的公司或其制造的产品。Dell Inc. 对其它公司的商标和产品名称不拥有任何所有权。

2010 年 1 月

Rev. A00

目录

1	概览	79
	部署 Dell Oracle 数据库所需的说明文件	79
	本说明文件中使用的术语	80
	获得帮助	80
	Dell 支持	80
	Oracle 支持	80
2	配置网络	81
	配置公用网络	81
	利用绑定功能配置专用网络	82
	安装 User Equivalence	84
	配置 ssh	84
	IP 地址和名称解析要求	84
	对于使用 GNS 的群集	84
	对于使用 DNS 的群集	87
	启用 IPMI	89
	启用 IPMI 的前提条件	89
	配置 Open IPMI 驱动程序	89
	使用 IPMITool 配置 BMC	90

3	设置光纤信道群集	95
	光纤信道群集的硬件连接	95
	光纤信道存储系统布线	97
	配置直接连接的光纤信道	97
	配置 SAN 连接的光纤信道	98
4	设置用于 Dell PowerVault MD3000 和 MD1000 扩展盘柜的 SAS 群集	101
	设置硬件	103
	安装基于主机的存储软件	104
	验证并升级固件	105
	安装 SAS 5/E 适配器驱动程序	105
	执行安装后任务	105
5	设置用于 Dell™ PowerVault™ MD3000i 和 MD1000 存储设备盘 柜的 iSCSI 群集	107
	设置硬件	108
	安装存储设备所需的基于主机的软件	111
	验证并升级固件	111
	安装后任务	111

6	设置用于 Dell EqualLogic PS 系列存储系统的 iSCSI 群集	113
	EqualLogic 术语	113
	设置 EqualLogic iSCSI 存储系统	113
	创建卷	116
	配置 iSCSI 网络	117
	配置主机对卷的访问	119
7	在主机上配置数据库存储设备	129
	验证和识别存储磁盘	129
	调整运行 Linux 操作系统的系统的磁盘分区	131
	示例: fdisk 公用程序参数	131
	使用 fdisk 公用程序调整磁盘分区	132
	在 RAC 环境中为群集件、数据库和恢复文件配置共享存储设备	133
	索引	135

概览

本说明文件提供了一个一般性的指南，介绍如何针对在安装 Red Hat® Enterprise Linux® 或 Oracle® Enterprise Linux 操作系统的系统上运行 Dell|Oracle 数据库来配置网络和存储设备要求。本说明文件适用于在 Red Hat Enterprise Linux 或 Oracle Enterprise Linux 5.3 AS x86_64 上运行的 Oracle Database 11g R2。有关您的系统支持的网络和存储设备配置的列表，请访问 dell.com/oracle 并选择 Dell™ Validated Components（经过验证的 Dell™ 组件）。

部署 Dell|Oracle 数据库所需的说明文件

 **注：** 以下说明文件可从 support.dell.com/manuals 获得。

- *Dell PowerEdge Systems Oracle Database on Enterprise Linux x86_64 Operating System and Hardware Installation Guide*（Dell PowerEdge 系统：Enterprise Linux x86_64 上的 Oracle Database：操作系统和硬件安装指南）—说明所需的最低硬件和软件版本、如何安装和配置操作系统、如何验证硬件和软件配置，以及如何获取开放源代码文件。
- *Dell PowerEdge Systems Oracle Database on Enterprise Linux x86_64 Storage and Network Guide*（Dell PowerEdge 系统：Enterprise Linux x86_64 上的 Oracle Database：存储设备和网络指南）—介绍如何安装和配置网络和存储设备解决方案。
- *Dell PowerEdge Systems Oracle Database on Enterprise Linux x86_64 Database Setup and Installation Guide*（Dell PowerEdge 系统：Enterprise Linux x86_64 上的 Oracle Database：数据库设置和安装指南）—介绍如何安装和配置 Oracle 数据库。
- *Dell PowerEdge Systems Oracle Database on Enterprise Linux x86_64 Troubleshooting Guide*（Dell PowerEdge 系统：Enterprise Linux x86_64 上的 Oracle Database：故障排除指南）—介绍如何对之前模块中所述的安装期间遇到的错误进行故障排除和解决问题。

 **注：** 所有模块均提供有关如何从 Dell 获得技术帮助的信息。

本说明文件中使用的术语

本说明文件中，术语逻辑单元号码 (LUN) 和虚拟磁盘作为同义词使用。术语 LUN 通常用于 Dell/EMC 光纤信道存储系统环境。术语“虚拟磁盘”通常在 Dell PowerVault™ 串行连接的 SCSI (SAS) (PowerVault MD3000 和带有 PowerVault MD1000 扩展的 PowerVault MD3000i) 或 Dell EqualLogic iSCSI 存储环境中使用。

 **注：**除非另有说明，否则本说明文件中的术语 *Enterprise Linux* 同时适用于 Red Hat Enterprise Linux 和 Oracle Enterprise Linux。

获得帮助

Dell 支持

- 有关系统使用方面的详情，请参阅系统组件附带的说明文件。
- 有关白皮书、Dell 支持的配置和一般信息，请访问 dell.com/oracle。
- 要获得对硬件和操作系统软件的 Dell 技术支持并下载最新的系统更新，请访问 support.dell.com/manuals。
- 与 Dell 联络的有关信息位于 support.dell.com/manuals 上的 *Dell PowerEdge Systems Oracle Database on Enterprise Linux x86_64 Troubleshooting Guide* (Dell PowerEdge 系统：Enterprise Linux x86_64 上的 Oracle Database：故障排除指南) 中。
- 我们现在还提供 Dell 企业培训与认证服务；请访问 dell.com/training 了解详情。此项培训服务并非在所有地区都提供。
- 有关安装和配置 Oracle 的信息，请参阅 support.dell.com/manuals 上的 *Dell PowerEdge Systems Oracle Database on Enterprise Linux x86_64 Database Setup and Installation Guide* (Dell PowerEdge 系统：Enterprise Linux x86_64 上的 Oracle Database：数据库设置和安装指南)。

Oracle 支持

- 有关 Oracle 软件 and 应用程序群集件的培训信息以及有关与 Oracle 联络的信息，请访问 oracle.com 或参阅 Oracle 说明文件。
- 技术支持、下载以及其它技术信息可从 metalink.oracle.com 获得。

配置网络

本章介绍关于配置公用和专用群集网络的信息。

 **注：**网络中的每个节点都需要一个唯一的公用和专用网际协议 (IP) 地址。另外，还需要一个用作客户端连接和连接故障转移的虚拟 IP 地址的公用 IP 地址。因此，每个节点共需要三个 IP 地址。虚拟 IP 地址必须与公用 IP 属于同一个子网。所有公用 IP 地址（包括虚拟 IP 地址）都必须向域名服务 (DNS) 注册并且必须可路由。有关详情，请参阅第 84 页上的“IP 地址和名称解析要求”。

如表 2-1 中所示，根据可用 NIC 端口的数量配置接口。

表 2-1. NIC 端口分配

NIC 端口	可用的端口
1	公用 IP、虚拟 IP 和单一客户端访问名称 (SCAN) IP
2	专用 IP（已绑定）
3	专用 IP（已绑定）

配置公用网络

 **注：**确保公用 IP 地址是有效且可路由的 IP 地址。

 **注：**专用网络的两个绑定的 NIC 端口必须分别位于不同的 PCI 总线上。例如，一个绑定对可由一个机载 NIC 和一个添加式 NIC 卡组成。

在每个节点中配置公用网络：

- 1 作为 root 登录。
- 2 编辑网络设备文件 `/etc/sysconfig/network-scripts/ifcfg-eth#`，其中 # 是网络设备的编号：

 **注：**确保已配置公用网络接口的网关地址。如果没有配置网关地址，网络安装可能会失败。

```
DEVICE=eth0
ONBOOT=yes
IPADDR=< 公用 IP 地址 >
NETMASK=< 子网掩码 >
BOOTPROTO=static
HWADDR=<MAC 地址 >
SLAVE=no
GATEWAY=< 网关地址 >
```

- 3 编辑 `/etc/sysconfig/network` 文件，如果有必要，使用合格的公用节点名称替换 `localhost.localdomain`。
例如，用于节点 1 的命令：
`hostname=node1.domain.com`
- 4 键入 `service network restart`，重新启动网络服务。
- 5 键入 `ifconfig`，验证 IP 地址设置是否正确。
- 6 要检查网络配置是否正确，请从并非群集组成部分的 LAN 上的某个客户端对每个公用 IP 地址执行 `ping` 命令。
- 7 连接每个节点以验证公用网络的运行是否正常。键入 `ssh <公用 IP>` 以验证 `secure shell (ssh)` 命令的运行是否正常。

利用绑定功能配置专用网络

在部署群集之前，应将专用群集网络配置为允许节点之间相互通信。此过程包括配置网络绑定以及为群集中的每个节点分配专用 IP 地址和主机名。

设置 Broadcom[®] 或 Intel[®] NIC 的网络绑定以及在每个节点上配置专用网络：

- 1 作为 `root` 登录。
- 2 在 `/etc/modprobe.conf` 文件中添加以下行：
`alias bond0 bonding`
- 3 为了获得高可用性，请编辑 `/etc/modprobe.conf` 文件并设置链接监测选项。
`miimon` 的默认值是 0。该默认值会禁用链接监测功能。第一次使用时，将该值更改为 100 毫秒。根据需要调整链路监测值以提高性能。例如，键入：
`options bonding miimon=100 mode=6 max_bonds=2`

- 4 在 `/etc/sysconfig/network-scripts/` 目录中，创建或编辑 `ifcfg-bond0` 配置文件。

例如，使用示例网络参数时，该文件会显示如下：

```
DEVICE=bond0
IPADDR=192.168.0.1
NETMASK=255.255.255.0
NETWORK=192.168.0.0
BROADCAST=192.168.0.255
ONBOOT=yes
BOOTPROTO=none
USERCTL=no
```

`NETMASK`、`NETWORK` 和 `BROADCAST` 这些条目是可选的。

`DEVICE=bondn` 是必需的绑定名称，其中 *n* 指定绑定号。IPADDR 是专用 IP 地址。

要使用 `bond0` 作为虚拟设备，必须指定要作为从属设备绑定的设备。

- 5 对于作为绑定成员的每个设备：

- a 在目录 `/etc/sysconfig/network-scripts/` 中，编辑 `ifcfg-ethn` 文件：

```
DEVICE=ethn
HWADDR=<MAC 地址 >
ONBOOT=yes
TYPE=Ethernet
USERCTL=no
MASTER=bond0
SLAVE=yes
BOOTPROTO=none
```

- b 键入 `service network restart` 并忽略所有警告。

- 6 在每个节点上，键入 `ifconfig` 以验证专用接口的运行是否正常。
节点的专用 IP 地址必须分配给专用接口 `bond0`。
- 7 每个节点上的所有专用 IP 地址设置完成后，请从一个节点对每个 IP 地址执行 `ping` 命令，确保专用网络可以正常工作。
- 8 连接每个节点。通过键入以下命令验证专用网络和安全外壳 (`ssh`) 是否正常工作：
`ssh <专用 IP>`

安装 User Equivalence

配置 ssh

- 1 在主节点上，作为用户 `root` 登录。
- 2 运行位于 `sshsetup` 文件夹下、Grid 二进制文件夹中的 `sshUserSetup.sh` 脚本：

```
sh sshUserSetup.sh -hosts "host1 host2" -user grid  
- advanced
```

```
sh sshUserSetup.sh -hosts "host1 host2" -user  
oracle - advanced
```

其中 `host1` 和 `host2` 为群集节点名称。

完成步骤 2 后，您可以在网络上的其它节点中配置 `ssh` 并以 Oracle 用户身份登录。登录期间不会提示您输入密码。

IP 地址和名称解析要求

对于使用 GNS 的群集

使用 Oracle 全局命名服务器 (GNS) 设置 Oracle 11g R2 RAC 的基本要求如下：

- 每个节点中至少配置两个接口，一个用于专用 IP 地址，一个用于公用 IP 地址。
- 网络中运行的域命名服务器 (DNS)，用于 GNS 虚拟 IP 地址的地址解析。
- DNS 条目，用于建立 DNS 查找以指向群集子域的 DNS 解析。
- 群集公用网络上运行的 DHCP 服务。
- DHCP 上有足够的地址为每个节点的虚拟 IP 提供一个 IP 地址，并且为 SCAN 使用的群集提供三个 IP 地址。

表 2-2 介绍了不同的接口、IP 地址设置和群集中的解析。

表 2-2. 使用 GNS 的群集中的 IP 地址设置

接口	类型	解析
公用	静态	/etc/hosts
专用	静态	不需要
节点虚拟 IP	DHCP	GNS
GNS 虚拟 IP	静态	DNS
SCAN 虚拟 IP	DHCP	GNS

配置 DNS 服务器

配置使用 GNS 的 DNS 服务器：

- 1 配置 DNS 服务器中的 GNS VIP 地址—在 DNS 中，创建名称解析条目用于转发查找文件中的 GNS 虚拟 IP 地址。

例如：`gns-server IN A 192.0.2.2`

其中，*gns-server* 是网络安装期间指定的 GNS 虚拟 IP 地址。您提供的地址必须可路由并且应处于公用范围内。例如，192.0.2.2。

- 2 配置 GNS 子域代理—在 DNS 中，创建条目以建立 DNS 查找将 GNS 子域的 DNS 解析指向群集。将以下内容添加到 DNS 查找文件：

```
clusterdomain.example.com.NS gns-  
server.example.com.
```

其中 *clusterdomain.example.com* 是您代理的 GNS 子域（网络安装期间提供），而 *gns-server.clustername.com* 解析为 GNS 虚拟 IP 地址。

配置 DNS 客户端

配置 DNS 客户端：

- 1 在 `/etc/hosts` 文件域名内添加主机条目。在每个节点上，通过键入以下命令修改 `/etc/hosts` 文件中的行：
127.0.0.1 localhost.localdomain localhost
< 公用 IP 节点 1> < 全限定主机名节点 1> < 公用主机名节点 1>
< 公用 IP 节点 2> < 全限定主机名节点 2> < 公用主机名节点 2>
- 2 在群集中的所有节点上，编辑 `resolv.conf` 文件以包括解析为 DNS 服务器的名称服务器条目。
例如，编辑 `/etc/resolv.conf` 文件如下：

```
options attempts: 2  
options timeout: 1  
search clusterdomain.example.com example.com  
nameserver 192.0.2.1  
nameserver 192.0.2.2
```

 **注：**总超时周期（即尝试选项和超时选项的组合）应少于 30 秒。

其中，192.0.2.1 是有效的 DNS 服务器地址，192.0.2.2 是网络中的 GNS 虚拟 IP 地址，而 `clusterdomain.example.com` 是 GNS 子域。

- 3 验证配置的顺序。`/etc/nsswitch.conf` 控制名称服务查找顺序。
在某些系统配置中，网络信息系统 (NIS) 可导致与 Oracle SCAN 地址解析有关的问题。建议您将 NIS 条目放在搜索列表的结尾。
例如，`hosts: files dns nis`

对于使用 DNS 的群集

使用 Oracle DNS（不带 GNS）设置 Oracle 11g R2 RAC 的基本要求如下：

- 1 每个节点中至少配置两个接口，一个用于专用 IP 地址，一个用于公用 IP 地址。
- 2 在 DNS 中配置 SCAN NAME 用于三个地址（建议使用）或至少一个地址的循环解析。SCAN 地址必须与虚拟 IP 地址和公用 IP 地址位于同一子网。

 **注：**对于高可用性和可扩展性，Oracle 建议您将 SCAN 配置为使用三个 IP 地址的循环解析。SCAN 的名称不能以数字开头。要使安装成功，SCAN 必须解析至少一个地址。

表 2-3 介绍了不同的接口、IP 地址设置和群集中的解析。

表 2-3. 使用 DNS 的群集中的 IP 地址设置

接口	类型	解析
公用	静态	/etc/hosts 或 DNS
专用	静态	不需要
节点虚拟 IP	静态	/etc/hosts 或 DNS
SCAN 虚拟 IP	静态	DNS

配置 DNS 服务器

为使用 DNS（不带 GNS）的 Oracle 11g R2 群集配置 DNS 服务器中的更改：

- 1 配置 DNS 服务器中的 SCAN NAME 解析。在 DNS 中，创建名称解析条目用于转发查找文件中的 GNS 虚拟 IP 地址。例如：

```
scancluster IN A 192.0.2.1
             IN A 192.0.2.2
             IN A 192.0.2.3
```

其中 *scancluster* 是网络安装期间提供的 SCAN NAME。

 **注：**SCAN IP 地址必须可路由并且处于公用范围内。

配置 DNS 客户端

配置群集节点所需的更改用于名称解析：

- 1 在 `/etc/hosts` 文件中添加主机条目。在每个节点上，通过键入以下命令修改 `/etc/hosts` 文件中的行：

```
127.0.0.1 localhost.localdomain localhost
```

< 公用 IP 节点 1> < 全限定主机名节点 1> < 公用主机名节点 1>

< 公用 IP 节点 2> < 全限定主机名节点 2> < 公用主机名节点 2>

< 虚拟 IP 节点 1> < 全限定虚拟主机名节点 1> < 虚拟主机名节点 1>

< 虚拟 IP 节点 2> < 全限定虚拟主机名节点 2> < 虚拟主机名节点 2>

- 2 必须在群集中的节点上配置 `resolv.conf`，以包含可解析为 DNS 服务器的名称服务器条目。提供类似如下的条目：

```
/etc/resolv.conf:
```

```
search ns1.domainserver.com
```

```
nameserver 192.0.2.100
```

其中，`192.0.2.100` 是网络中有效的 DNS 服务器地址，而 `ns1.domainserver.com` 是网络中的域服务器。

- 3 验证顺序配置。`/etc/nsswitch.conf` 控制名称服务顺序。在某些配置中，NIS 可导致与 Oracle SCAN 地址解析有关的问题。建议您将 NIS 条目放在搜索列表的结尾。例如，`hosts: files dns nis`

启用 IPMI

智能平台管理接口 (IPMI) 提供一组硬件和固件常用接口，系统管理员可以用来监测系统运行状况并管理系统。通过 Oracle I1g R2，Oracle 群集件可以集成 IPMI 以提供故障隔离支持和确保群集完整性。

启用 IPMI 的前提条件

每个群集节点需要一个底板管理控制器 (BMC)，该控制器运行与 IPMI 版本 1.5 或更高版本兼容的固件并且配置为使用 LAN 进行远程控制。

 **注：** 建议您对 IPMI 使用专用的管理网络 (DRAC 端口)。

ipmitool 所需的 Linux rpm 为 OpenIPMI-tools-2.0.6-11.el5.x86_64.rpm。

配置 Open IPMI 驱动程序

- 1 作为 root 登录。
- 2 要启用 IPMI 服务，请键入：
`Chkconfig ipmi on`
- 3 要启动 IPMI 服务，请键入：`Service ipmi start`
- 4 运行命令 `/sbin/lsmmod|grep ipmi` 以确认 IPMI 模块已加载。例如：

```
# /sbin/lsmmod | grep ipmi

ipmi_devintf          44753  2
ipmi_si               77453  1
ipmi_msghandler      72985  2
ipmi_devintf,ipmi_si
```
- 5 使用以下命令来确保系统可识别 IPMI 服务：`ls -l /dev/ipmi0`

如果 IPMI 设备已动态载入，则输出应类似如下：

```
# ls -l /dev/ipmi0

crw----- 1 root root 252, 0 Dec 23 16:41
/dev/ipmi0
```

使用 IPMITool 配置 BMC

通过以下示例使用 ipmitool 版本 2.0 配置 BMC:

- 1 作为 **root** 登录。
- 2 验证 ipmitool 是否使用 IPMI 驱动程序与 BMC 进行通信。通过以下命令检查输出中的设备 ID:

```
# ipmitool bmc info

Device ID                : 32 (设备 ID: 32)
Device Revision          : 0 (设备修订版本: 0)
Firmware Revision       : 0.20 (固件修订版本: 0.20)
IPMI Version            : 2.0 (IPMI 版本: 2.0)
Manufacturer ID         : 674 (制造商 ID: 674)
Manufacturer Name       : Unknown (0x2a2) (制造商名称: 未知 [0x2a2])
Product ID              : 256 (0x0100) (产品 ID: 256 [0x0100])
```

如果 ipmitool 无法与 BMC 进行通信, 请参阅第 89 页上的“配置 Open IPMI 驱动程序”并确保 IPMI 驱动程序正在运行。

- 3 启用 LAN 上 IPMI:
- a 确定 LAN 上 IPMI 的通道编号。从通道 1 开始运行以下命令, 直到您找到显示所需 LAN 属性 (例如 IP 地址) 的通道:

```
# ipmitool lan print 1

...

IP Address Source : 0x01 (IP 地址源: 0x01)
IP Address : 140.87.155.89 (IP 地址: 140.87.155.89)

...
```

- b 开启所找到通道的 LAN 访问权限。例如, 如果是通道 1:
- ```
ipmitool lan set 1 access on
```

#### 4 使用以下步骤之一配置 IPMI 的 IP 地址设置：

- 使用动态 IP 寻址—动态 IP 寻址是 Oracle Universal Installer 假定的默认设置。建议您选择此选项以便更轻松地从群集添加或删除节点，因为这会自动分配地址设置。

例如，如果是通道 1，则输入以下命令以启用 DHCP 并设置该通道：

```
ipmitool lan set 1 ipsrc dhcp
```

 **注：**使用 DHCP 要求 DHCP 服务器位于子网上。

- 使用静态 IP 寻址—如果 BMC 与操作系统共享网络连接，则 IP 地址必须位于同一子网中。您不但要设置 IP 地址，而且要设置适当的子网掩码值和默认网关。例如，假定是通道 1：

```
ipmitool lan set 1 ipaddr 192.168.0.55
```

```
ipmitool lan set 1 netmask 255.255.255.0
```

```
ipmitool lan set 1 defgw ipaddr 192.168.0.1
```

示例中指定的地址 (192.168.0.55) 仅与 BMC 关联，不会响应正常的 ping 命令。

#### 5 通过以下步骤，使用用户名和密码建立管理帐户（假定是通道 1）：

- a** 配置 BMC 以验证 LAN 上 **Admin** 访问权限的密码。例如：

```
ipmitool lan set 1 auth ADMIN MD5,PASSWORD
```

- b** 列出 BMC 中的帐户插槽，然后标识未使用的插槽（用户名字段为空的用户 ID）。例如：

```
ipmitool channel getaccess 1
```

```
...
```

```
User ID : 4 (用户 ID: 4)
```

```
User Name : (用户名:)
```

```
Fixed Name : No (固定名称: 无)
```

```
Access Available : call-in / callback (可用的访问
权限: 呼入 / 回拨)
```

```
Link Authentication : disabled (链接验证: 已禁用)
```

```
IPMI Messaging : disabled (IPMI 消息传送: 已禁用)
```

```
Privilege Level : NO ACCESS (权限级别: 无访问权限)
```

```
...
```

- c** 分配所需的 administrator 用户名和密码，然后启用已标识插槽的消息传送。同时将该插槽在 LAN 上访问（通道 1）的权限级别设置为 ADMIN（4 级）。例如：

```
ipmitool user set name 4 bmcuser
ipmitool user set password 4 password
ipmitool user enable 4
ipmitool channel setaccess 1 4 privilege=4
ipmitool channel setaccess 1 4 link=on
ipmitool channel setaccess 1 4 ipmi=on
```

其中 *bmcuser* 是管理用户名，而 *password* 是密码。

- d** 使用命令 `lan print 1` 验证设置。输出应显示类似如下：

```
ipmitool lan print 1
```

```
Set in Progress : Set Complete (设置进度: 设置已完成)
```

```
Auth Type Support : NONE MD2 MD5 PASSWORD (验证类型支持: 无 MD2 MD5 密码)
```

```
Auth Type Enable : Callback : MD2 MD5 (验证类型启用: 回呼: MD2 MD5)
```

```
: User : MD2 MD5 (: 用户: MD2 MD5)
```

```
: Operator : MD2 MD5 (: 操作人员: MD2 MD5)
```

```
: Admin : MD5 PASSWORD (: 管理员: MD5 密码)
```

```
: OEM : MD2 MD5
```

```
IP Address Source : DHCP Address [or Static Address] (IP 地址源: DHCP 地址 [或静态地址])
```

```
IP Address : 192.168.0.55 (IP 地址: 192.168.0.55)
```

```
Subnet Mask : 255.255.255.0 (子网掩码: 255.255.255.0)
```

```
MAC Address : 00:14:22:23:fa:f9 (MAC 地址:
00:14:22:23:fa:f9)

SNMP Community String : public (SNMP 团体字符串:
public)

IP Header : TTL=0x40 Flags=0x40 Precedence=...
(IP 标头: TTL=0x40 Flags=0x40 Precedence=...)

Default Gateway IP : 192.168.0.1 (默认网关 IP:
192.168.0.1)

Default Gateway MAC : 00:00:00:00:00:00
(默认网关 MAC: 00:00:00:00:00:00)

.
.
.

ipmitool channel getaccess 1 4

Maximum User IDs : 10 (最大用户 ID 数: 10)
Enabled User IDs : 2 (启用的用户 ID 数: 2)
User ID : 4 (用户 ID: 4)
User Name : bmcuser (用户名: bmcuser)
Fixed Name : No (固定名称: 无)
Access Available : call-in / callback (可用的访问
权限: 呼入 / 回拨)
Link Authentication : enabled (链接验证: 已启用)
IPMI Messaging : enabled (IPMI 消息传送: 已启用)
Privilege Level : ADMINISTRATOR
(权限级别: 管理员)
```

- 6 从群集中的远程节点使用 `bmc info` 命令验证 BMC 是否可访问并可控制。

例如，如果 `node2-ipmi` 是分配给 BMC 用于 `node2` 的网络主机名，然后要从 `node1` 验证 `node2` 上的 BMC，请在 `node1` 中输入以下命令：

```
$ ipmitool -H node2-ipmi -U bmcuser -P password
bmc info
```

其中 `bmcuser` 是管理员帐户，而 `password` 是密码。

如果 BMC 已正确配置，将在远程节点中显示关于 BMC 的信息。

如果您看到错误信息（例如，`Error: Unable to establish LAN session [ 错误：无法建立 LAN 会话 ]`），则必须检查远程节点中的 BMC 配置。

# 设置光纤信道群集

**警告：**开始执行本节中的任何步骤之前，请阅读系统附带的安全信息。有关其它最佳实践信息，请参阅 Dell Regulatory Compliance（Dell 管制标准）网站 [www.dell.com/regulatory\\_compliance](http://www.dell.com/regulatory_compliance)。

本章帮助您验证硬件连接，以及光纤信道群集的硬件和软件配置。

## 光纤信道群集的硬件连接

图 3-1 展示了光纤信道群集的硬件连接。

图 3-1. 光纤信道群集的硬件连接

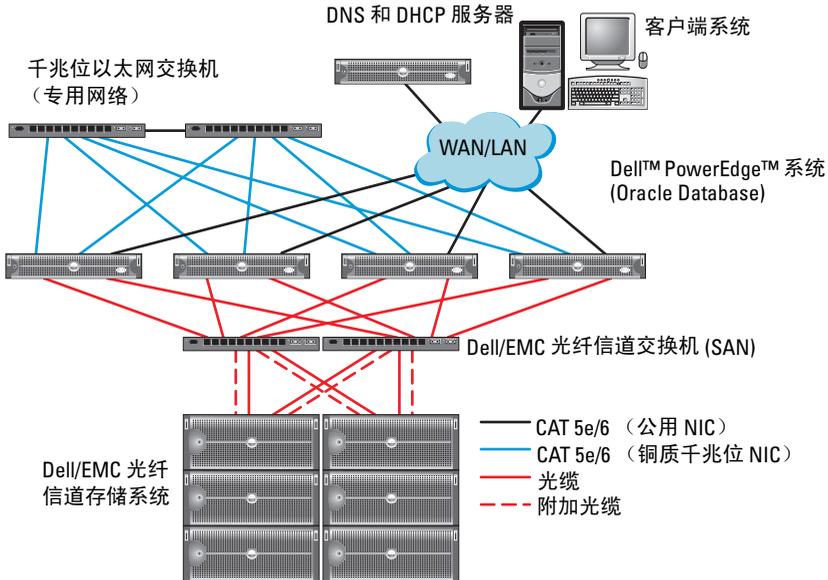


表 3-1 列出了图 3-1 中描述的光纤信道硬件连接并总结了群集连接。

**表 3-1. 光纤信道硬件互连**

| 群集组件              | 连接                                                                                                                                                                                                                                                                                                                                            |
|-------------------|-----------------------------------------------------------------------------------------------------------------------------------------------------------------------------------------------------------------------------------------------------------------------------------------------------------------------------------------------|
| PowerEdge 系统节点    | <ul style="list-style-type: none"> <li>• 使用一根 5 类增强型 (CAT 5e) 或 CAT 6 电缆从公用 NIC 连接至 LAN</li> <li>• 使用一根 CAT 5e 或 CAT 6 电缆从专用千兆位 NIC 连接至千兆位以太网交换机</li> <li>• 使用一根 CAT 5e 或 CAT 6 电缆从冗余专用千兆位 NIC 连接至冗余千兆位以太网交换机</li> <li>• 使用一根光缆从 HBA 0 连接至光纤信道交换机 0</li> <li>• 使用一根光缆从 HBA 1 连接至光纤信道交换机 1</li> </ul>                                          |
| Dell/EMC 光纤信道存储系统 | <ul style="list-style-type: none"> <li>• 使用两根 CAT 5e 或 CAT 6 电缆连接至 LAN</li> <li>• 使用一到四根光缆连接至每台光纤信道交换机。例如，对于四个端口的配置： <ul style="list-style-type: none"> <li>- 使用一根光缆从 SPA 端口 0 连接至光纤信道交换机 0</li> <li>- 使用一根光缆从 SPA 端口 1 连接至光纤信道交换机 1</li> <li>- 使用一根光缆从 SPB 端口 0 连接至光纤信道交换机 1</li> <li>- 使用一根光缆从 SPB 端口 1 连接至光纤信道交换机 0</li> </ul> </li> </ul> |
| Dell/EMC 光纤信道交换机  | <ul style="list-style-type: none"> <li>• 使用一至四根光缆连接至 Dell/EMC 光纤信道存储系统</li> <li>• 使用一根光缆连接至每个 PowerEdge 系统 HBA</li> </ul>                                                                                                                                                                                                                     |
| 千兆位以太网交换机         | <ul style="list-style-type: none"> <li>• 使用一根 CAT 5e 或 CAT 6 电缆连接至每个 PowerEdge 系统上的专用千兆位 NIC</li> <li>• 使用一根 CAT 5e 或 CAT 6 电缆连接至其他千兆位以太网交换机</li> </ul>                                                                                                                                                                                       |

## 光纤信道存储系统布线

根据您的需要，可在以下其中一个配置中对 Oracle 光纤信道群集存储系统进行配置：

- 直接连接的光纤信道（请参阅图 3-2）
- 四个端口的 SAN 连接光纤信道（请参阅图 3-3）

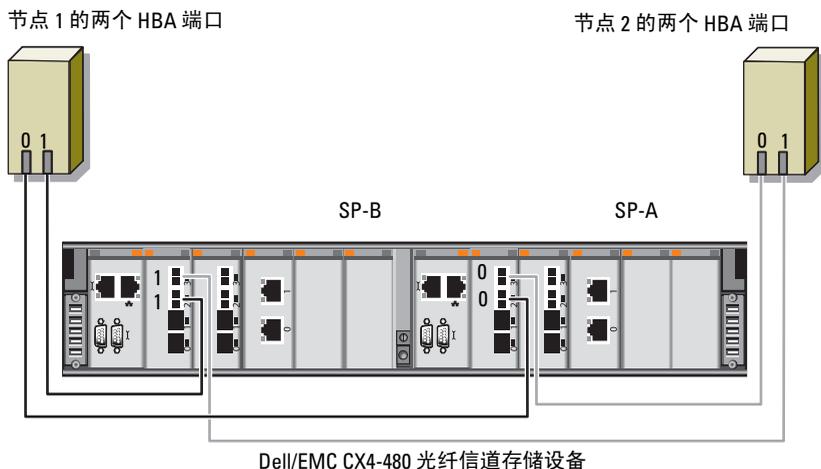
### 配置直接连接的光纤信道

在直接连接的光纤信道配置中配置节点：

- 1 使用一根光缆从节点 1 上的 HBA 0 连接至 SP-A 的端口 0。
- 2 使用一根光缆从节点 1 上的 HBA 1 连接至 SP-B 的端口 0。
- 3 使用一根光缆从节点 2 上的 HBA 0 连接至 SP-A 的端口 1。
- 4 使用一根光缆从节点 2 上的 HBA 1 连接至 SP-B 的端口 1。

图 3-2 展示了直接连接的光纤信道群集中的电缆连接。

**图 3-2. 在直接连接的光纤信道群集中布线**



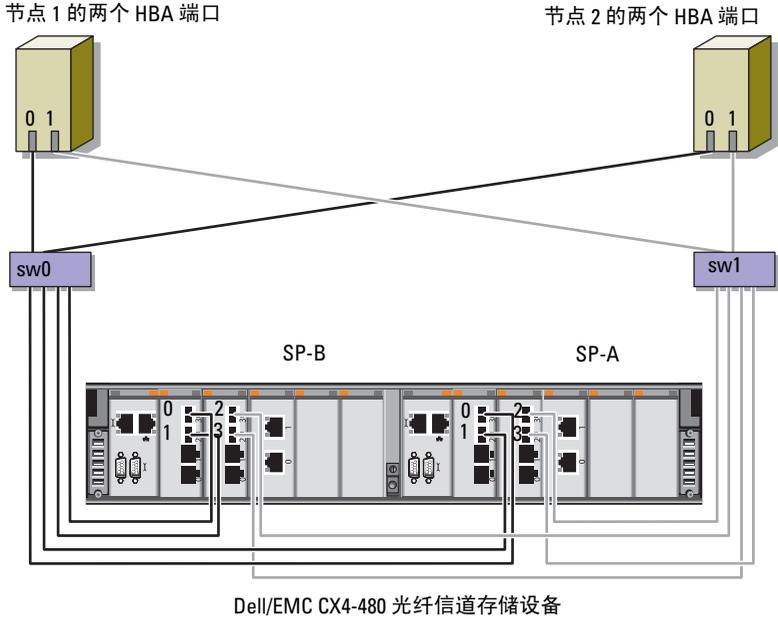
## 配置 SAN 连接的光纤信道

在四个端口的 SAN 连接配置中配置节点：

- 1 使用一根光缆从 SP-A 端口 0 连接至光纤信道交换机 0。
- 2 使用一根光缆从 SP-A 端口 1 连接至光纤信道交换机 1。
- 3 使用一根光缆从 SP-A 端口 2 连接至光纤信道交换机 0。
- 4 使用一根光缆从 SP-A 端口 3 连接至光纤信道交换机 1。
- 5 使用一根光缆从 SP-B 端口 0 连接至光纤信道交换机 1。
- 6 使用一根光缆从 SP-B 端口 1 连接至光纤信道交换机 0。
- 7 使用一根光缆从 SP-B 端口 2 连接至光纤信道交换机 1。
- 8 使用一根光缆从 SP-B 端口 3 连接至光纤信道交换机 0。
- 9 使用一根光缆从节点 1 上的 HBA 0 连接至光纤信道交换机 0。
- 10 使用一根光缆从节点 1 上的 HBA 1 连接至光纤信道交换机 1。
- 11 使用一根光缆从节点 2 上的 HBA 0 连接至光纤信道交换机 0。
- 12 使用一根光缆从节点 2 上的 HBA 1 连接至光纤信道交换机 1。

图 3-3 展示了 SAN 连接的光纤信道群集中的电缆连接。

**图 3-3. 在 SAN 连接的光纤信道群集中布线**





# 设置用于 Dell PowerVault MD3000 和 MD1000 扩展盘柜的 SAS 群集

 **警告：** 开始执行本节中的任何步骤之前，请阅读系统附带的安全信息。有关其它最佳实践信息，请参阅 Dell™ Regulatory Compliance (Dell 管制标准) 网站 [www.dell.com/regulatory\\_compliance](http://www.dell.com/regulatory_compliance)。

配置 Dell PowerEdge™ 系统以及 Dell PowerVault™ MD3000 和 MD1000 存储设备盘柜使其在 Oracle® Real Application Cluster (RAC) 环境中正常工作：

- 1 使用图 4-1、表 4-1 和图 4-2 验证硬件和软件配置。
- 2 执行第 103 页上的“设置硬件”中的步骤。

 **小心：** 在 PowerVault MD3000 存储阵列上升级固件之前，请确保备份您的数据。

图 4-1. 串行连接的 SCSI (SAS) 群集和 Dell PowerVault MD3000 存储设备盘柜布线

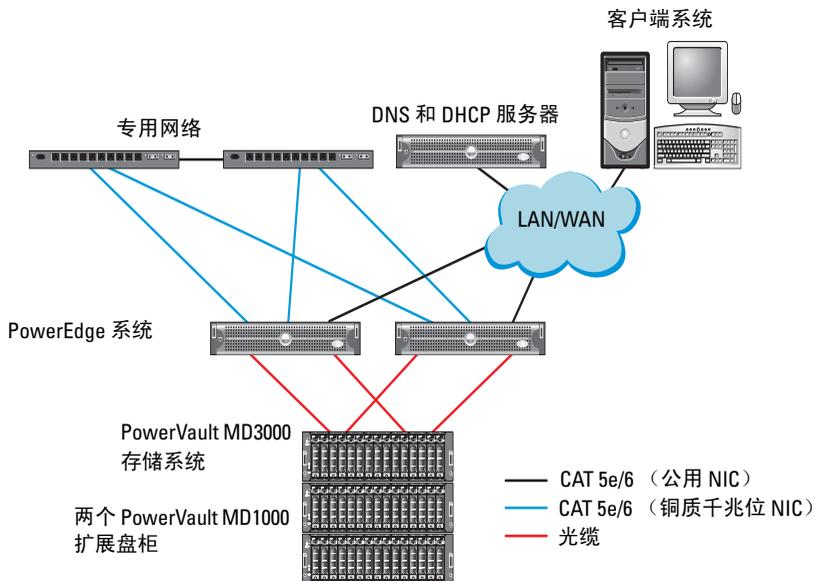


表 4-1. SAS 群集硬件互连

| 群集组件                               | 连接                                                                                                                                                                                                                                                                |
|------------------------------------|-------------------------------------------------------------------------------------------------------------------------------------------------------------------------------------------------------------------------------------------------------------------|
| PowerEdge 系统节点                     | <ul style="list-style-type: none"> <li>使用一根 CAT 5e/6 电缆从公用 NIC 连接至局域网 (LAN)</li> <li>使用一根 CAT 5e/6 电缆从专用千兆位 NIC 连接至千兆位以太网交换机 (专用网络)</li> <li>使用一根 CAT 5e/6 电缆从冗余专用千兆位 NIC 连接至冗余千兆位以太网交换机 (专用网络)</li> <li>通过 SAS 5/E 从两个 SAS 连接至 PowerVault MD3000 系统节点</li> </ul> |
| PowerVault MD3000 存储设备盘柜           | <ul style="list-style-type: none"> <li>使用两根 CAT 5e/6 电缆连接至 LAN (每个存储处理器模块一根)</li> <li>通过 SAS 5/E 电缆从两个 SAS 连接至每个 PowerEdge 系统节点</li> </ul> <p><b>注：</b>有关 PowerVault MD3000 存储设备盘柜互连的详情，请参阅第 103 页上的“设置硬件”。</p>                                                   |
| Dell PowerVault MD1000 存储设备盘柜 (可选) | PowerVault MD1000 扩展盘柜需要的其它 SAS 电缆连接                                                                                                                                                                                                                              |

## 设置硬件

SAS 群集只能安装在直接连接的群集中并且仅限于两个节点。

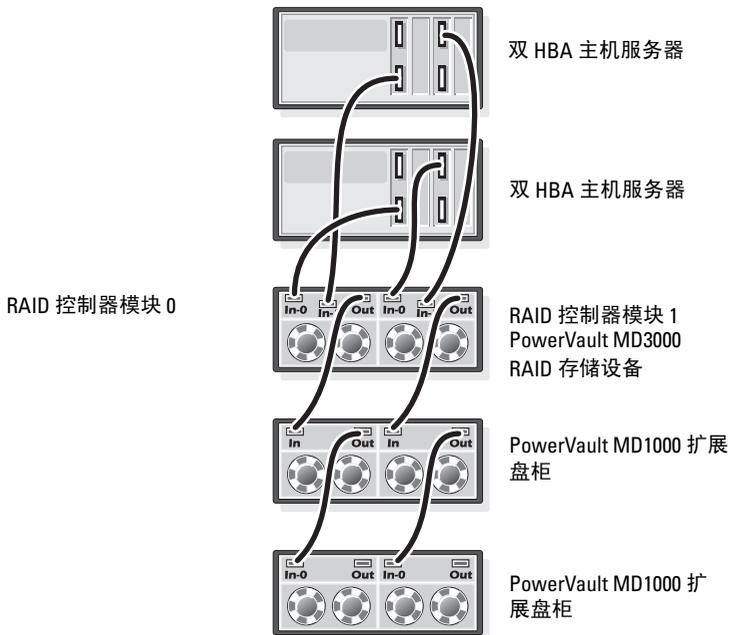
在直接连接的配置中配置节点：

- 1 使用一根 SAS 电缆从节点 1 的 SAS 控制器的一个端口连接至 PowerVault MD3000 存储设备盘柜中 RAID 控制器 0 的 **In-0** 端口。
- 2 使用一根 SAS 电缆从节点 1 的 SAS 控制器的另一个端口连接至 PowerVault MD3000 存储设备盘柜中 RAID 控制器 1 的 **In-0** 端口。
- 3 使用一根 SAS 电缆从节点 2 的 SAS 控制器的一个端口连接至 PowerVault MD3000 存储设备盘柜中 RAID 控制器 0 的 **In-1** 端口。
- 4 使用一根 SAS 电缆从节点 2 的 SAS 控制器的另一个端口连接至 PowerVault MD3000 存储设备盘柜中 RAID 控制器 1 的 **In-1** 端口。
- 5 如果可用，使用两根 SAS 电缆从两个 PowerVault MD3000 存储设备盘柜 Out（输出）端口连接至第一个 PowerVault MD1000 扩展盘柜的两个 In（输入）端口。
- 6 如果可用，使用两根 SAS 电缆从两个 PowerVault MD1000 存储设备盘柜输出端口连接至第二个 PowerVault MD1000 扩展盘柜的两个 **In-0** 端口。



**注：**有关配置 PowerVault MD1000 扩展盘柜的信息，请参阅 [support.dell.com/manuals](http://support.dell.com/manuals) 上的 PowerVault MD1000 存储系统说明文件。

图 4-2. 直接连接的 SAS 群集布线



## 安装基于主机的存储软件

要安装 PowerVault MD3000 存储设备盘柜所需的基于主机的存储软件，请使用随系统附带的 *Dell PowerVault Resource* 介质。要在主节点上安装 Modular Disk Storage Manager (MDSM) 软件并在其余节点上安装多路径输入 / 输出 (MPIO) 软件，请按照 PowerVault MD3000 存储设备盘柜说明文件中的步骤进行操作。

## 验证并升级固件

- 1 使用安装在主机系统中的 MDSM 软件搜索直接连接的主机系统存储设备。
- 2 验证以下存储设备组件的固件是否满足最低所需版本：
  - RAID 控制器固件
  - PowerVault MD3000 存储系统固件
  - PowerVault MD1000 扩展盘柜固件

 **注：**有关最低固件版本要求，请选择 [dell.com/oracle](http://dell.com/oracle) 上的 **Dell Validated Components**（经过验证的 Dell 组件）链接。

## 安装 SAS 5/E 适配器驱动程序

从 *PowerVault MD3000 Resource* 介质安装 SAS 5/E 驱动程序。

 **注：**确保 SAS 5/E 驱动程序的版本与 Solution Deliverable List（可提供的解决方案列表，SDL）中列出的版本相同或者更新，各个经 Dell 认证的组件的 SDL 都可在 [dell.com/oracle](http://dell.com/oracle) 上找到。

有关在群集的两个节点上安装驱动程序的帮助，请参阅随 PowerVault MD3000 存储设备盘柜和 SAS HBA 附带的说明文件。

## 执行安装后任务

安装驱动程序和软件后，请执行《*PowerVault MD3000 Installation Guide*》（*PowerVault MD3000 安装指南*）中列出的安装后任务。创建如《*Dell PowerEdge Systems Oracle Database on Enterprise Linux x86\_64 Operating System and Hardware Installation Guide*》（*Dell PowerEdge 系统：Enterprise Linux x86\_64 上的 Oracle Database：操作系统和硬件安装指南*）和《*Linux Guide*》（*Linux 指南*）中所示的环境。可从 [support.dell.com/manuals](http://support.dell.com/manuals) 获得这些说明文件。

 **注：**建议您在 RAID 10 配置中为 LUN 配置磁盘。



# 设置用于 Dell™ PowerVault™ MD3000i 和 MD1000 存储设备盘柜 的 iSCSI 群集

**警告：** 开始执行本节中的任何步骤之前，请阅读系统附带的安全信息。有关其它最佳实践信息，请参阅 *Dell Regulatory Compliance*（Dell 管制标准）网站 [www.dell.com/regulatory\\_compliance](http://www.dell.com/regulatory_compliance)。

本节提供有关如何配置 Dell PowerEdge™ 系统以及 PowerVault MD3000i 和 MD1000 存储设备盘柜，使其能在 Oracle® Real Application Cluster (RAC) 环境中正常运行的信息和步骤。

通过 [support.dell.com/manuals](http://support.dell.com/manuals) 上的 *Dell PowerVault MD3000i Support Matrix*（Dell PowerVault MD3000i 支持值表）的 Supported Configuration（支持的配置）部分，验证硬件连接以及硬件和软件配置。

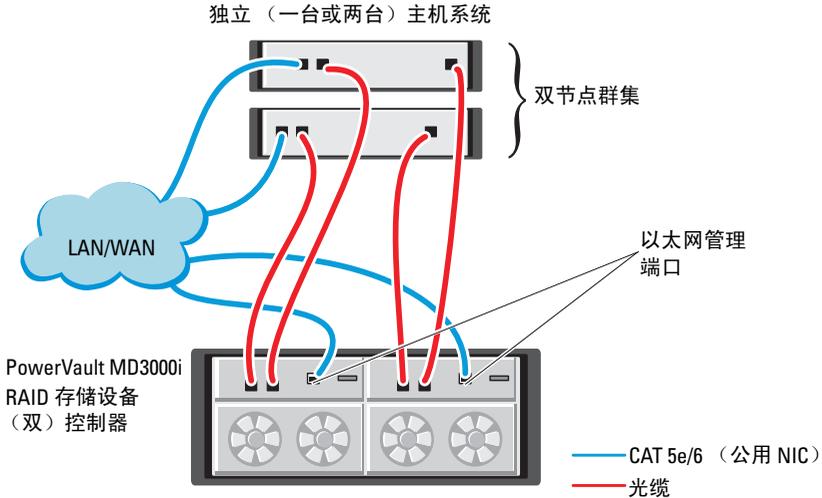
**表 5-1. iSCSI 硬件互连**

| 群集组件                           | 连接                                                                                                                                                                                                                                                                                                  |
|--------------------------------|-----------------------------------------------------------------------------------------------------------------------------------------------------------------------------------------------------------------------------------------------------------------------------------------------------|
| PowerEdge 系统节点                 | <ul style="list-style-type: none"> <li>使用一根 CAT 5e/6 电缆从公用 NIC 连接至局域网 (LAN)</li> <li>使用一根 CAT 5e/6 电缆从专用千兆位 NIC 连接至千兆位以太网交换机（专用网络）</li> <li>使用一根 CAT 5e/6 电缆从冗余专用千兆位 NIC 连接至冗余千兆位以太网交换机（专用网络）</li> <li>使用一根 CAT 5e/6 电缆从 iSCSI 千兆位 NIC 连接至千兆位以太网交换机（iSCSI 网络）</li> </ul>                            |
| PowerVault MD3000i 存储系统        | <ul style="list-style-type: none"> <li>对于管理接口，使用两根 CAT 5e/6 电缆连接至 LAN（每个存储处理器模块一根）</li> <li>每个存储处理器使用两根 CAT 5e/6 电缆进行 iSCSI 互连</li> </ul> <p><b>注：</b> 有关 PowerVault MD3000i 存储设备盘柜的其它信息，请参阅 <a href="http://support.dell.com/manuals">support.dell.com/manuals</a> 上的 PowerVault MD3000i 说明文件。</p> |
| PowerVault MD1000 存储设备扩展盘柜（可选） | 其它 SAS 电缆连接（根据 PowerVault MD1000 扩展盘柜的需要）                                                                                                                                                                                                                                                           |

# 设置硬件

直接连接的 iSCSI 群集仅限于两个节点。

图 5-1. iSCSI 直接连接群集布线



要在直接连接的配置（请参阅图 5-1）中配置节点，请完成以下步骤：

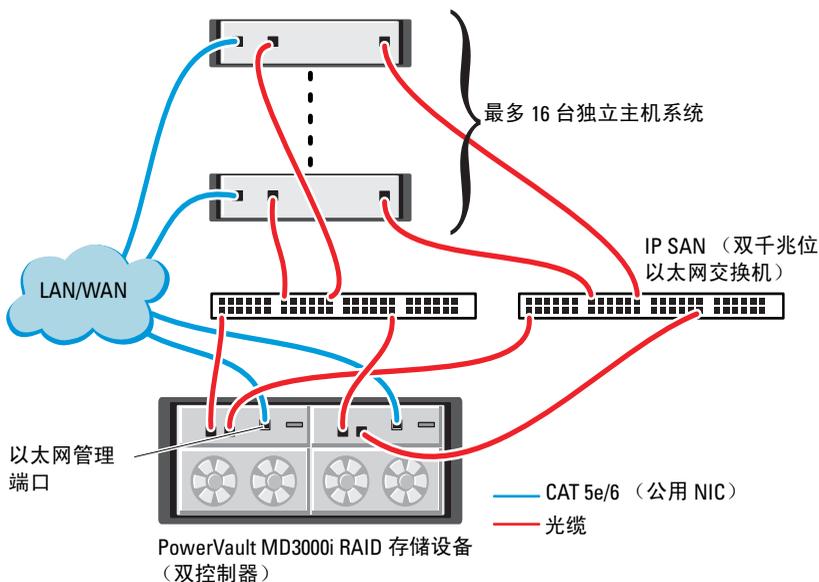
- 1 使用一根 CAT 5e/6 电缆从节点 1 的一个端口（iSCSI HBA 或 NIC）连接至 PowerVault MD3000i 存储设备盘柜中 RAID 控制器 0 的 In-0 端口。
- 2 使用一根 CAT 5e/6 电缆从节点 1 的另一个端口（iSCSI HBA 或 NIC）连接至 PowerVault MD3000i 存储设备盘柜中 RAID 控制器 1 的 In-0 端口。
- 3 使用一根 CAT 5e/6 电缆从节点 2 的一个端口（iSCSI HBA 或 NIC）连接至 PowerVault MD3000i 存储设备盘柜中 RAID 控制器 0 的 In-1 端口。
- 4 使用一根 CAT 5e/6 电缆从节点 2 的另一个端口（iSCSI HBA 或 NIC）连接至 PowerVault MD3000i 存储设备盘柜中 RAID 控制器 1 的 In-1 端口。
- 5 如果可用，使用两根 SAS 电缆从两个 PowerVault MD3000 存储设备盘柜输出端口连接至第一个 PowerVault MD1000 扩展盘柜的两个 In（输入）端口。

- 6 如果可用，使用两根 SAS 电缆从两个 PowerVault MD1000 存储设备盘柜输出端口连接至第二个 MD1000 扩展盘柜的两个 In-0 端口。

**注：**有关配置 PowerVault MD1000 扩展盘柜的信息，请参阅 [support.dell.com/manuals](http://support.dell.com/manuals) 上的 PowerVault MD3000i 存储系统说明文件。

交换式 iSCSI 群集可以支持最多八个节点。

图 5-2. iSCSI 交换式群集布线



要在交换式配置（请参阅图 5-2）中配置节点，请完成以下步骤：

- 1 使用一根 CAT 5e/6 电缆从节点 1 的端口（iSCSI HBA 或 NIC）连接至网络交换机 1 的端口。
- 2 使用一根 CAT 5e/6 电缆从节点 1 的端口（iSCSI HBA 或 NIC）连接至网络交换机 2 的端口。
- 3 使用一根 CAT 5e/6 电缆从节点 2 的端口（iSCSI HBA 或 NIC）连接至网络交换机 1 的端口。
- 4 使用一根 CAT 5e/6 电缆从节点 2 的端口（iSCSI HBA 或 NIC）连接至网络交换机 2 的端口。
- 5 使用一根 CAT 5e/6 电缆从交换机 1 的一个端口连接至 PowerVault MD3000i 存储设备盘柜中 RAID 控制器 0 的 **In-0** 端口。
- 6 使用一根 CAT 5e/6 电缆从交换机 1 的另一个端口连接至 PowerVault MD3000i 存储设备盘柜中 RAID 控制器 1 的 **In-0** 端口。
- 7 使用一根 CAT 5e/6 电缆从交换机 2 的一个端口连接至 PowerVault MD3000i 存储设备盘柜中 RAID 控制器 0 的 **In-1** 端口。
- 8 使用一根 CAT 5e/6 电缆从交换机 2 的另一个端口连接至 PowerVault MD3000i 存储设备盘柜中 RAID 控制器 1 的 **In-1** 端口。
- 9 如果可用，使用两根 SAS 电缆从两个 PowerVault MD3000i 存储设备盘柜输出端口连接至第一个 PowerVault MD1000 扩展盘柜的两个 **In**（输入）端口。
- 10 如果可用，使用两根 SAS 电缆从两个 PowerVault MD3000 存储设备盘柜输出端口连接至第二个 PowerVault MD1000 扩展盘柜的两个 **In-0** 端口。



**注：**有关配置 PowerVault MD1000 扩展盘柜的信息，请参阅 [support.dell.com/manuals](http://support.dell.com/manuals) 上的 PowerVault MD3000i 存储系统说明文件。建议对 iSCSI 存储基础设施使用独立的网络。如果无法为 iSCSI 指定独立的网络，请将存储功能分配到独立的虚拟局域网 (VLAN)；此操作会在物理网络内创建独立的逻辑网络。

## 安装存储设备所需的基于主机的软件

要安装用于 PowerVault MD3000i 存储系统的基于主机的必需存储软件，请使用随 PowerVault MD3000i 存储系统附带的 *Dell PowerVault Resource* 介质。按照 [support.dell.com/manuals](http://support.dell.com/manuals) 上提供的 PowerVault MD3000i 存储设备盘柜说明文件中的步骤进行操作，在主节点上安装 Modular Disk Storage Manager 软件并在其余节点上安装多路径 (MPIO) 软件。

## 验证并升级固件

- 1 使用安装在主机系统中的 Modular Disk Storage Manager 软件搜索直接连接的主机系统存储设备。
- 2 验证以下存储组件的固件是否满足最低所需版本。
  - MD3000i 存储系统固件
  - MD1000 扩展盘柜固件



**注：**有关最低固件版本要求，请选择 [dell.com/oracle](http://dell.com/oracle) 上的 **Dell Validated Components**（经过验证的 Dell 组件）链接。

## 安装后任务

安装驱动程序和软件后，请执行位于 [support.dell.com/manuals](http://support.dell.com/manuals) 上的 *PowerVault MD3000i Installation Guide*（PowerVault MD3000i 安装指南）中列出的安装后任务，创建如第 107 页上的表 5-1 中所示的环境。



# 设置用于 Dell EqualLogic PS 系列存储系统的 iSCSI 群集

 **警告：**开始执行本节中的任何步骤之前，请阅读系统附带的安全信息。有关其它最佳实践信息，请参阅 Dell™ Regulatory Compliance (Dell 管制标准) 网站 [www.dell.com/regulatory\\_compliance](http://www.dell.com/regulatory_compliance)。

## EqualLogic 术语

EqualLogic™ PS 系列存储阵列包括存储虚拟化技术。为了更好地了解这些阵列的原理，熟悉一些用于描述这些阵列及其功能的术语将非常有用：

- 成员 — 单一的 PS 系列阵列
- 组 — 一个或多个可集中管理的成员集合；主机系统通过单一组 IP 地址访问数据
- 池 — 可由来自一个或多个成员的磁盘组成的 RAID
- 卷 — 代表池容量子集的 LUN 或虚拟磁盘

## 设置 EqualLogic iSCSI 存储系统

主机系统可通过 IP SAN 行业标准千兆位以太网交换机连接至 EqualLogic PS5000XV iSCSI 阵列。图 6-1 显示了双控制模块 EqualLogic PS5000XV 阵列的建议网络配置。此配置包括两台 Dell PowerConnect™ 6200 系列千兆位以太网交换机，用于提供最高的网络可用性和最大的网络带宽。

 **注：**建议使用两台千兆位以太网交换机。在只有一台以太网交换机的情况下，如果交换机出现故障，则在实际更换交换机并恢复配置前，所有主机都将无法访问存储设备。在这类配置中，必须有带链路聚合的多个端口，以实现交换机互连或主干连接。在每个控制模块中，建议将一个千兆位接口连接至一台以太网交换机，并将另外两个千兆位接口连接至另一台以太网交换机。

图 6-1. 推荐的网络配置

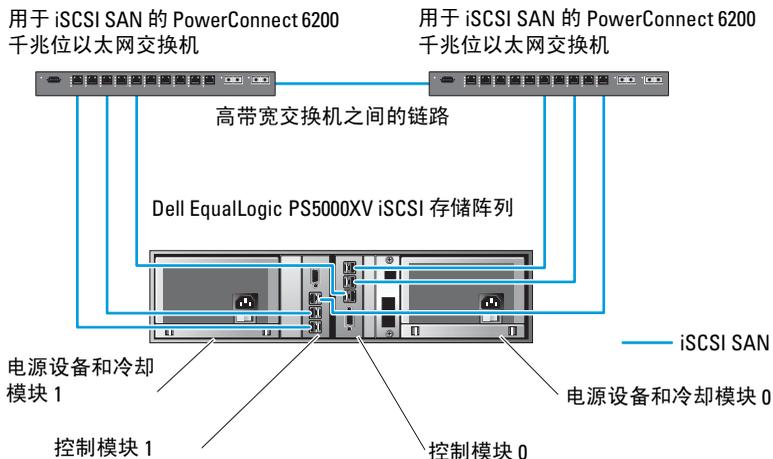
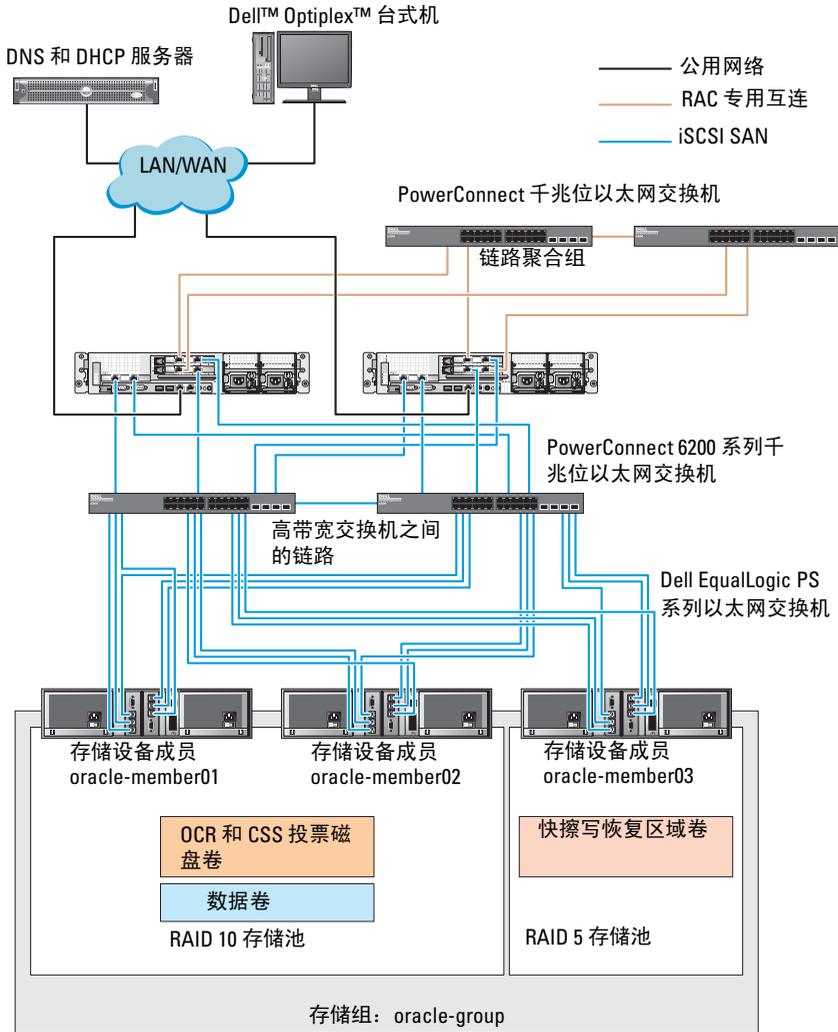


图 6-2 从体系结构上介绍了一个使用三个 Dell EqualLogic PS5000XV 阵列的 Oracle<sup>®</sup> Real Application Cluster (RAC) 配置示例。Dell EqualLogic PS5000XV 存储阵列为 RAC 数据库提供了物理存储容量。oracle-group 组包括三个 Dell EqualLogic PS5000XV 成员：**oracle-member01**、**oracle-member02** 和 **oracle-member03**。初始化其中某个成员后，可以为其配置 RAID 10、RAID 5 或 RAID 50。

图 6-2. 配置带有三个 PS5000XV 阵列的示例 Oracle® RAC



 **注：** 有关如何初始化 EqualLogic 阵列的详情，请参阅 [support.dell.com/manuals](http://support.dell.com/manuals) 上的 *Dell EqualLogic User's Guide*（Dell EqualLogic 用户指南）。

一个 EqualLogic PS 系列存储组可以分离到多个层或池中。层叠存储可使管理员更好地控制磁盘资源的分配方式。每次可将一个成员仅分配到一个池。将成员分配到池以及在不同池间移动成员很容易，而且不会影响数据的可用性。池可以根据不同标准（如磁盘类型或速度、RAID 级别和应用类型）加以组织。

在图 6-2 中，池按照成员 RAID 级别进行组织：

- 一个名称为 RAID 10 的池由 RAID10 成员组成。
- 一个名称为 RAID 5 的池由 RAID5 成员组成。

## 创建卷

能够存储数据之前，EqualLogic PS5000XV 存储阵列的物理磁盘必须配置为可使用组件（称为卷）。卷代表存储池的一部分，具有具体大小、访问控制和其它属性。卷可以跨越多个磁盘和组成员。它在网络上显示为 iSCSI 目标设备。卷分配给池并可以在不同的池间轻松移动，而且不会影响数据的可用性。此外，池还将根据池中的存储设备硬件资源的总工作负载进行自动数据分布和自动负载均衡。

表 6-1 是一个卷配置示例。

**表 6-1. 配置用于 Oracle RAC 的卷**

| 卷数      | 最小容量          | RAID | 分区数 | 用途                      | 操作系统映射                       |
|---------|---------------|------|-----|-------------------------|------------------------------|
| 五个      | 1024 MB       | 10   | 一个  | 投票磁盘、Oracle 群集注册表 (OCR) | 用于群集注册表 (OCR) 和投票磁盘的 ASM 磁盘组 |
| 一个      | 大于您数据库的大小     | 10   | 一个  | 数据                      | ASM 磁盘组 DATABASEDGG          |
| 一个      | 至少为第二区域卷容量的两倍 | 5    | 一个  | 快擦写恢复区域                 | ASM 磁盘组 FLASHBACKDGG         |
| 一个 (可选) | 10 GB         | 10   | 一个  | 共享的 DB 主目录              | 用于共享 DB 主目录的 ASM 磁盘组         |

在 Dell EqualLogic PS5000XV 阵列中创建卷，然后创建访问列表，以允许所有主机 iSCSI 网络接口访问这些卷。例如，创建以下卷：

- mdi-ocr
- mdi-data1
- mdi-fral

## 配置 iSCSI 网络

建议将用于 iSCSI 通信的主机网络接口配置为使用流控制和超长帧，以实现最优性能。使用 `ethtool` 公用程序配置流控制。

使用以下命令检查接口上的流控制 (RX/TX 暂停)：# `ethtool -a <接口>`

例如：

```
ethtool -a eth2
Pause parameters for eth2:
Autonegotiate: on
RX: on
TX: on
```

此示例显示流控制已开启。如果没有开启，请使用以下命令开启流控制：

```
ethtool -A <接口> rx on tx on
```

通过添加 `MTU="<mtu 值 >"` 参数，即可在 `/etc/sysconfig/network-scripts/ifcfg-< 接口 >` 脚本中配置超长帧。

以下示例中，`MTU` 被设置为 `9000`。

```
cat /etc/sysconfig/network-scripts/ifcfg-eth2
DEVICE=eth2
HWADDR=00:15:17:80:43:50
ONBOOT=yes
TYPE=Ethernet
BOOTPROTO=none
IPADDR=10.16.7.125
NETMASK=255.255.255.0
USERCTL=no
MTU=9000
```

请使用 `ifconfig` 命令来验证超长帧设置：

```
$ ifconfig eth2
eth2 Link encap:Ethernet HWaddr 00:15:17:80:43:50
 inet addr:10.16.7.125 Bcast:10.16.7.255
Mask:255.255.255.0
 inet6 addr: fe80::215:17ff:fe80:4350/64
Scope:Link
 UP BROADCAST RUNNING MULTICAST MTU:9000
Metric:1
 RX packets:3348411 errors:0 dropped:0
overruns:0 frame:0
 TX packets:2703578 errors:0 dropped:0
overruns:0 carrier:0
 collisions:0 txqueuelen:1000
 RX bytes:10647052076 (9.9 GiB)TX
bytes:11209177325 (10.4 GiB)
 Memory:d5ee0000-d5f00000
```

## 配置主机对卷的访问

本节介绍关于通过 `iscsiadm` 工具配置到 iSCSI 卷的主机访问权限的信息。`iscsiadm` 工具即 open-iSCSI 管理公用程序。

- 1 作为 `root` 用户登录到系统。验证是否所有主机系统上都已安装 open-iSCSI 启动程序软件：

```
rpm -qa | grep -i iscsi-initiator
```

如果安装了 open-iSCSI 启动程序 RPM，将显示以下输出：

```
iscsi-initiator-utils-6.2.0.868-0.7.el5
```

如果未显示输出，请安装 open-iSCSI 启动程序 RPM。

- 2 启动 iSCSI 服务。

```
service iscsi start
```

- 3 使 iSCSI 服务在引导时启动。

```
hkconfig --add iscsi
```

```
chkconfig iscsi on
```

```
chkconfig --list iscsi
```

- 4 获取用于 iSCSI 通信的主机上每个网络接口的硬件地址。

```
grep -i hwaddr /etc/sysconfig/network-
scripts/ifcfg-ethn,
```

其中 `n` 是网络接口编号。

- 5 为用于 iSCSI 通信的主机上的每个网络接口创建接口。

```
iscsiadm -m iface -I iface_name --op=new,
```

其中，`iface_name` 是指定给接口的名称。

```
iscsiadm -m iface -I iface_name --op=update -n
iface.hwaddress -v hardware_address
```

其中，`hardware_address` 是在步骤 4 中获取的接口硬件地址。

例如，以下命令将对硬件地址为 `00:18:8B:4E:E6:CC` 的 `eth0` 接口创建名为 `eth0-iface` 的接口：

```
iscsiadm -m iface -I eth0-iface --op=new
```

此时将添加新接口 `eth0-iface`。

```
iscsiadm -m iface -I eth0-iface --op=update -n
iface.hwaddress -v 00:18:8B:4E:E6:CC
```

```
eth0-iface updated
```

- 6 验证是否已正确创建并关联接口：

```
iscsiadm -m iface
```

7 修改主机上 `/etc/iscsi/iscsid.conf` 中的 CHAP 信息。

```
node.session.auth.username = username
node.session.auth.password = password
discovery.sendtargets.auth.username = username
discovery.sendtargets.auth.password = password
```

其中，**username** 是 EqualLogic 存储设备中定义的 CHAP 用户名，**password** 是 EqualLogic 存储设备中定义的 CHAP 密码。

8 重新启动 iSCSI 服务，以使新配置生效。

```
service iscsi stop
service iscsi start
```

9 从步骤 5 中创建的所有接口搜索目标。

```
iscsiadm -m discovery -t st -p group_ip_address --
interface=iface_name1 --interface=iface_name2 --
interface=iface_name3 --interface=iface_name4,
```

其中，**group\_ip\_address** 是 EqualLogic 存储组中的 IP 地址，**iface\_name1**、**iface\_name2**、**iface\_name3**、**iface\_name4** 等是用于 iSCSI 通信的主机上的网络接口（如步骤 5 中定义）。  
例如，以下命令从具有两个接口（名为 **eth0-iface** 和 **eth1-iface**）的主机中搜索到在组 IP 地址 **10.16.7.100** 上有四个卷。

```
iscsiadm -m discovery -t st -p 10.16.7.100 --
interface=eth0-iface --interface=eth1-iface
10.16.7.100:3260,1 iqn.2001-05.com.equallogic:
0-8a0906-90ee59d02-e26f999767b4942e-mdi-ocr-css-
spfile
10.16.7.100:3260,1 iqn.2001-05.com.equallogic:
0-8a0906-90ee59d02-e26f999767b4942e-mdi-ocr-css-
spfile
10.16.7.100:3260,1 iqn.2001-05.com.equallogic:
0-8a0906-93ee59d02-674f999767d4942e-mdi-data1
10.16.7.100:3260,1 iqn.2001-05.com.equallogic:
0-8a0906-93ee59d02-674f999767d4942e-mdi-data1
10.16.7.100:3260,1 iqn.2001-05.com.equallogic:
0-8a0906-95ce59d02-2e0f999767f4942e-mdi-data2
10.16.7.100:3260,1 iqn.2001-05.com.equallogic:
0-8a0906-95ce59d02-2e0f999767f4942e-mdi-data2
10.16.7.100:3260,1 iqn.2001-05.com.equallogic:
0-8a0906-97be59d02-d7ef99976814942e-mdi-fra1
10.16.7.100:3260,1 iqn.2001-05.com.equallogic:0-
8a0906-97be59d02-d7ef99976814942e-mdi-fra1
```

**10** 验证是否已从所有主机接口搜索所有卷: `iscsiadm -m discovery --print=1`

例如:

```
iscsiadm -m discovery --print=1
```

SENDTARGETS:

```
DiscoveryAddress: 10.16.7.100,3260
Target: iqn.2001-05.com.equallogic:0-8a0906-90ee59d02-e26f999767b4942e-mdi-ocr-css-spfile
Portal: 10.16.7.100:3260,1
Iface Name: eth0-iface
Iface Name: eth1-iface
```

```
Target: iqn.2001-05.com.equallogic:0-8a0906-93ee59d02-674f999767d4942e-mdi-data1
Portal: 10.16.7.100:3260,1
Iface Name: eth0-iface
Iface Name: eth1-iface
```

```
Target: iqn.2001-05.com.equallogic:0-8a0906-95ce59d02-2e0f999767f4942e-mdi-data2
Portal: 10.16.7.100:3260,1
Iface Name: eth0-iface
Iface Name: eth1-iface
```

```
Target: iqn.2001-05.com.equallogic:0-8a0906-97be59d02-d7ef99976814942e-mdi-fra1
Portal: 10.16.7.100:3260,1
Iface Name: eth0-iface
Iface Name: eth1-iface
```

iSNS:

No targets found.

STATIC:

No targets found.

**11** 从步骤 5 中创建的每个接口登录到所有目标（卷）：

```
iscsiadm -m node -p group_ip_address --interface
iface_name --login,
```

其中，**group\_ip\_address** 是 EqualLogic 存储组中的 IP 地址，  
而 **iface\_name** 是用于 iSCSI 通信的主机上的网络接口（如步骤 5 中  
定义）。

以下示例介绍如何从主机上的两个接口（**eth0-iface** 和 **eth1-iface**）  
分别登录到三个卷。

```
iscsiadm -m node -p 10.16.7.100 --interface
eth0-iface --login
Logging in to [iface: eth0-iface, target:
iqn.2001-05.com.equallogic:0-8a0906-90ee59d02-
e26f999767b4942e-mdi-ocr-css-spfile, portal:
10.16.7.100,3260]
Logging in to [iface: eth0-iface, target:
iqn.2001-05.com.equallogic:0-8a0906-95ce59d02-
2e0f999767f4942e-mdi-data2, portal:
10.16.7.100,3260]
Logging in to [iface: eth0-iface, target:
iqn.2001-05.com.equallogic:0-8a0906-93ee59d02-
674f999767d4942e-mdi-datal, portal:
10.16.7.100,3260]
Logging in to [iface: eth0-iface, target:
iqn.2001-05.com.equallogic:0-8a0906-97be59d02-
d7ef99976814942e-mdi-fral, portal:
10.16.7.100,3260]
Login to [iface: eth0-iface, target: iqn.2001-
05.com.equallogic:0-8a0906-90ee59d02-
e26f999767b4942e-mdi-ocr-css-spfile, portal:
10.16.7.100,3260]: successful
Login to [iface: eth0-iface, target: iqn.2001-
05.com.equallogic:0-8a0906-95ce59d02-
2e0f999767f4942e-mdi-data2, portal:
10.16.7.100,3260]: successful
```

```
Login to [iface: eth0-iface, target: iqn.2001-05.com.equallogic:0-8a0906-93ee59d02-674f999767d4942e-mdi-data1, portal: 10.16.7.100,3260]: successful
Login to [iface: eth0-iface, target: iqn.2001-05.com.equallogic:0-8a0906-97be59d02-d7ef99976814942e-mdi-fral, portal: 10.16.7.100,3260]: successful
iscsiadm -m node -p 10.16.7.100 --interface eth1-iface --login
Logging in to [iface: eth1-iface, target: iqn.2001-05.com.equallogic:0-8a0906-90ee59d02-e26f999767b4942e-mdi-ocr-css-spfile, portal: 10.16.7.100,3260]
Logging in to [iface: eth1-iface, target: iqn.2001-05.com.equallogic:0-8a0906-95ce59d02-2e0f999767f4942e-mdi-data2, portal: 10.16.7.100,3260]
Logging in to [iface: eth1-iface, target: iqn.2001-05.com.equallogic:0-8a0906-93ee59d02-674f999767d4942e-mdi-data1, portal: 10.16.7.100,3260]
Logging in to [iface: eth1-iface, target: iqn.2001-05.com.equallogic:0-8a0906-97be59d02-d7ef99976814942e-mdi-fral, portal: 10.16.7.100,3260]
Login to [iface: eth1-iface, target: iqn.2001-05.com.equallogic:0-8a0906-90ee59d02-e26f999767b4942e-mdi-ocr-css-spfile, portal: 10.16.7.100,3260]: successful
Login to [iface: eth1-iface, target: iqn.2001-05.com.equallogic:0-8a0906-95ce59d02-2e0f999767f4942e-mdi-data2, portal: 10.16.7.100,3260]: successful
```

```
Login to [iface: eth1-iface, target: iqn.2001-05.com.equallogic:0-8a0906-93ee59d02-674f999767d4942e-mdi-data1, portal: 10.16.7.100,3260]: successful
```

```
Login to [iface: eth1-iface, target: iqn.2001-05.com.equallogic:0-8a0906-97be59d02-d7ef99976814942e-mdi-fra1, portal: 10.16.7.100,3260]: successful
```

- 12 显示并验证所有活动连接和会话：  
`iscsiadm -m session -i`
- 13 验证分区在操作系统中是否可见：  
`cat /proc/partitions`
- 14 在群集中的所有其它主机上重复执行步骤 1 到步骤 13。

## 配置有多个路径指向卷的设备映射程序

- 1 针对为 Oracle 创建的设备运行 `/sbin/scsi_id` 命令，以获得这些设备的唯一设备标识符：

```
/sbin/scsi_id -gus /block/<设备>
```

例如：

```
scsi_id -gus /block/sda
```

- 2 取消 `/etc/multipath.conf` 中以下部分的注释。

```
blacklist {
 wwid 26353900f02796769
 devnode "^(ram|raw|loop|fd|md|dm-
|sr|scd|st) [0-9]*"
 devnode "^hd[a-z]"
}
```

- 3 取消 `/etc/multipath.conf` 中以下部分的注释。

```
defaults {
 udev_dir /dev
 polling_interval 10
 selector "round-robin 0"
 path_grouping_policy multibus
 getuid_callout "/sbin/scsi_id -g -u -s
/block/%n"
 prio_callout /bin/true
 path_checker readsector0
 rr_min_io 100
 max_fds 8192
 rr_weight priorities
 failback immediate
 no_path_retry fail
 user_friendly_names yes
}
```

- 4 在 `/etc/multipath.conf` 中添加以下部分。该 WWID 是从步骤 1 获取的。请确保群集中所有主机上的别名均一致。

```
multipaths {
 multipath {
 wwid WWID_of_volume1
 alias alias_of_volume1
 }
 multipath {
 wwid WWID_of_volume2
 alias alias_of_volume2
 }
}
```

(为每个额外的卷添加多路径子代码段。)

```
}
```

以下示例包括四个卷的配置。

```
multipaths {
 multipath {
 wwid 36090a028d059ee902e94b4
6797996fe2
 alias ocr-css-spfile
 }
 multipath {
 wwid 36090a028d059ee932e94d4
6797994f67
 alias data1
 }
 multipath {
 wwid 36090a028d059ce952e94f4
6797990f2e
 alias data2
 }
 multipath {
 wwid 36090a028d059be972e9414
689799efd7
 alias fra1
 }
}
```

- 5 重新启动多路径守护程序，并验证是否在 `multipath -ll` 输出中显示别名。

```
service multipathd restart
multipath -ll
```

例如：

```
fra1 (36090a028d059be972e9414689799efd7) dm-13
EQLOGIC,100E-00
[size=5.0G][features=1
queue_if_no_path][hwhandler=0]
_ round-robin 0 [prio=0][enabled]
_ 96:0:0:0 sds 65:32 [active][ready]
_ 92:0:0:0 sdab 65:176 [active][ready]
ocr-css-spfile
(36090a028d059ee902e94b46797996fe2) dm-11
EQLOGIC,100E-00
[size=2.0G][features=1
queue_if_no_path][hwhandler=0]
_ round-robin 0 [prio=0][enabled]
_ 93:0:0:0 sdf 8:80 [active][ready]
_ round-robin 0 [prio=0][enabled]
_ 86:0:0:0 sdad 65:208 [active][ready]
data2 (36090a028d059ce952e94f46797990f2e) dm-8
EQLOGIC,100E-00
[size=20G][features=1
queue_if_no_path][hwhandler=0]
_ round-robin 0 [prio=0][enabled]
_ 97:0:0:0 sdc 8:32 [active][ready]
_ 98:0:0:0 sdd 8:48 [active][ready]
data1 (36090a028d059ee932e94d46797994f67) dm-18
EQLOGIC,100E-00
[size=20G][features=1
queue_if_no_path][hwhandler=0]
_ round-robin 0 [prio=0][enabled]
_ 95:0:0:0 sdq 65:0 [active][ready]
_ 89:0:0:0 sdac 65:192 [active][ready]
```

- 6 验证是否已创建 `/dev/mapper/*` 设备。这些设备名称必须用于访问后续各部分中的多路径设备以及与这些设备交互。

例如：

```
ls -lt /dev/mapper/*
crw----- 1 root root 10, 63 Dec 15 11:22
/dev/mapper/control
brw-rw---- 1 root disk 253, 18 Dec 15 11:51
/dev/mapper/data1
brw-rw---- 1 root disk 253, 8 Dec 15 13:47
/dev/mapper/data2
brw-rw---- 1 root disk 253, 13 Dec 15 11:51
/dev/mapper/fral
brw-rw---- 1 root disk 253, 11 Dec 15 11:51
/dev/mapper/ocr-css-spfile
brw-rw---- 1 root disk 253, 6 Dec 15 11:22
/dev/mapper/osvg-crs
brw-rw---- 1 root disk 253, 3 Dec 15 11:22
/dev/mapper/osvg-home
brw-rw---- 1 root disk 253, 4 Dec 15 11:22
/dev/mapper/osvg-opt
brw-rw---- 1 root disk 253, 0 Dec 15 11:22
/dev/mapper/osvg-root
brw-rw---- 1 root disk 253, 7 Dec 15 11:22
/dev/mapper/osvg-swap
brw-rw---- 1 root disk 253, 1 Dec 15 11:22
/dev/mapper/osvg-tmp
brw-rw---- 1 root disk 253, 2 Dec 15 11:22
/dev/mapper/osvg-usr
brw-rw---- 1 root disk 253, 5 Dec 15 11:22
/dev/mapper/osvg-var
```

- 7 在群集中的所有其它主机上重复执行步骤 1 到步骤 7。

# 在主机上配置数据库存储设备

**警告：**开始执行本节中的任何步骤之前，请阅读系统附带的安全信息。有关其它最佳实践信息，请参阅 **Dell Regulatory Compliance**（Dell 管制标准）网站 [www.dell.com/regulatory\\_compliance](http://www.dell.com/regulatory_compliance)。

Oracle® Real Application Clusters (RAC) 是一项复杂的数据库配置，要求按顺序执行以下一系列过程。以下各节介绍了如何在主机上验证、调整和配置光纤信道、直接连接的 SAS 或 iSCSI 存储设备的存储磁盘。

## 验证和识别存储磁盘

配置群集时，将在光纤信道、直接连接的 SAS 或 iSCSI 存储系统中创建分区。要创建分区，所有节点均必须检测外部存储设备。

**注：**本节中的步骤说明如何为直接连接的 SAS 存储设备以及光纤信道存储设备部署 Oracle Database。在以下过程中，将使用光纤信道存储设备术语。如果使用直接连接的 SAS 或 iSCSI 存储设备（Dell™ PowerVault™ MD3000、MD3000i 或 Dell EqualLogic 存储阵列），请参阅表 7-1 以将光纤信道术语转换为直接连接的 SAS 或 iSCSI 存储设备术语。

表 7-1. 光纤信道、直接连接的 SAS 和 EqualLogic 阵列术语

| 光纤信道存储           | 直接连接的 SAS 或 iSCSI (MD3000/MD3000i) | EqualLogic 阵列卷 |
|------------------|------------------------------------|----------------|
| LUN              | 虚拟磁盘                               | 卷              |
| /dev/emcpower(X) | /dev/sd(X)                         | /dev/sd(X)     |
| PowerPath        | 多路径 (MPIO)                         | 设备映射程序         |

要验证是否所有节点均能检测每个存储 LUN 或逻辑磁盘，请按照以下步骤执行：

- 1 对于 Dell/EMC 光纤信道存储系统，请验证每个节点上是否均已安装 EMC<sup>®</sup> Navisphere<sup>®</sup> 代理程序和正确版本的 PowerPath<sup>®</sup>。验证每个节点是否已分配到 EMC Navisphere 软件中正确的存储组中。有关说明，请参阅随 Dell/EMC 光纤信道存储系统附带的说明文件。

 **注：** 如果要在节点上安装群集或重新安装软件，则必须执行步骤 1。

- 2 通过目测检查来验证存储设备和节点是否已正确连接至光纤信道交换机（请参阅图 3-1 和表 3-1）。
- 3 验证您是否已作为 root 登录。
- 4 在每个节点上，键入：

```
more /proc/partitions
```

节点将检测并显示 LUN 或逻辑磁盘，以及在這些外部设备上创建的分区。

 **注：** 列出的设备可能有所不同，具体视存储系统的配置而定。

屏幕将显示一个列表，其中列出节点检测到的 LUN 或逻辑磁盘以及在這些外部设备上创建的分区。列表中还将显示 PowerPath 虚拟设备，如 /dev/emcpowera、/dev/emcpowerb 和 /dev/emcpowerc。如果是直接连接的 SAS 或 iSCSI 配置，则虚拟磁盘显示为 /dev/sdb 和 /dev/sdc。

- 5 在 /proc/partitions 文件中，确保：
  - 对于所有节点，出现在该文件中的所有 PowerPath 虚拟设备使用类似的设备名称。  
例如：/dev/emcpowera、/dev/emcpowerb 和 /dev/emcpowerc。
  - 如果是 PowerVault MD3000、MD3000i 或 EqualLogic 存储阵列，则对于所有节点，在该文件中显示的所有虚拟磁盘或卷都具有类似的设备名称。  
例如：/dev/sdb、/dev/sdc 和 /dev/sdd

- 外部存储设备的逻辑卷显示为 SCSI 设备，并且每个节点配置相同数目的 LUN、虚拟磁盘或卷。例如，如果节点配置为已连接 SCSI 驱动器或 RAID 容器：

在具有三个逻辑磁盘的光纤信道存储设备中：

- `sda` 标识节点的 RAID 容器或内部驱动器
- `emcpowera`、`emcpowerb` 和 `emcpowerc` 标识 LUN（或 PowerPath 虚拟设备）

在具有三个虚拟磁盘的直接连接的 SAS 或 iSCSI 存储设备中：

- `sda` 标识节点的 RAID 容器或内部驱动器
- `sdb`、`sdc` 和 `sdd` 标识外部存储逻辑卷

- 6 如果外部存储设备未出现在 `/proc/partitions` 文件中，请重新启动该节点。

## 调整运行 Linux 操作系统的系统的磁盘分区

 **小心：** 在运行 Linux 操作系统的系统中，请在数据写入到 LUN/ 虚拟磁盘之前对齐分区表。否则分区映射将会重新写入并且破坏 LUN/ 虚拟磁盘上的所有数据。

### 示例：fdisk 公用程序参数

以下示例表示 `fdisk` 公用程序的参数。在本例中，LUN 映射到 `/dev/emcpowera`，而 LUN 磁条元素大小为 128 个数据块。

 **注：** 在本例中，磁盘 `/dev/emcpowera` 已包含主分区 `/dev/emcpowera1`。如果是 PowerVault MD3000、MD3000i 或 EqualLogic 存储阵列，分区将在 `/dev/sdb1` 中创建。

```
fdisk /dev/emcpowera
```

 **注：** 执行以下步骤之前，请在 `/dev/emcpowera` 上创建一个分区。

```
x # expert mode (专家模式)
b # adjust starting block number (调整起始数据块编号)
l # choose partition 1 (选择分区 1)
128 # set it to 128 (将其设置为 128)，（这是 Dell/EMC CX
系列光纤信道存储设备上的默认磁条元素大小）
w # write the new partition (写入新分区)
```

对于拥有快照、克隆或 MirrorView 映像的 LUN，建议您使用 `fdisk` 方法而不是 LUN 对齐偏移方法。我们还建议您制作源和目标的 SAN 副本。

## 使用 fdisk 公用程序调整磁盘分区

- 1 在命令提示符下，键入以下命令：  
fdisk < 分区名称 >，  
其中 < 分区名称 > 是您要调整的分区名称。  
例如，如果分区名称为 /dev/emcpowera，键入：fdisk  
/dev/emcpowera  
系统会显示以下信息：  
The number of cylinders for this disk is set  
to 8782. (此磁盘的磁柱数量设置为 8782。)  
There is nothing wrong with that, but this is  
larger than 1024, and could in certain setups  
cause problems with: (这并没有问题，但由于该值大于  
1024，因此可能会在特定设置中导致以下问题：)  
1) software that runs at boot time (e.g., old  
versions of LILO) (在引导时运行的软件 [例如，旧版本的  
LILO] 出现问题)  
2) booting and partitioning software from  
other OSs (从其它 OS 进行引导和分区的软件出现问题)  
(e.g., DOS FDISK, OS/2 FDISK) (例如，DOS FDISK、  
OS/2 FDISK)
- 2 在命令提示符下，键入以下 fdisk 公用程序参数：x
- 3 在命令提示符下，键入以下 fdisk 公用程序参数：b
- 4 当提示输入分区编号时，在命令提示符下键入分区编号：例如：1
- 5 指定磁盘分区上的新位置用于数据的起始。例如：128
- 6 在命令提示符下，键入以下 fdisk 公用程序参数：w  
系统会显示以下信息：  
The partition table has been altered! (分区表已变  
更！)  
Calling ioctl() to re-read partition table. (调用  
ioctl() 以重新读取分区表。)  
Syncing disks. (正在同步磁盘。)
- 7 对所有 Oracle 数据 LUN 重复步骤 1 到步骤 6。

## 在 RAC 环境中为群集件、数据库和恢复文件配置共享存储设备

使用 ORACLEASM 库驱动程序配置用于自动存储管理 (ASM) 的磁盘。配置 ASM 磁盘：

- 1 作为 root 登录。
- 2 打开终端窗口，并在所有节点上执行以下步骤：
  - a 键入 `service oracleasm configure`
  - b 对所有节点输入以下内容：  
  
Default user to own the driver interface [ ]:grid (拥有驱动程序接口的默认用户 [ ]: grid)  
  
Default group to own the driver interface [ ]:asmadmin (拥有驱动程序接口的默认组 [ ]: asmadmin)  
  
引导时启动 Oracle ASM 库驱动程序 (y/n) [n]:y  
  
引导时修复 Oracle ASM 磁盘的权限 (y/n) [y]:y
- 3 仅当 RAC 配置使用 EqualLogic iSCSI 存储设备和 Linux Device Mapper Multipath 驱动程序时，才执行此步骤。
  - a 将 `/etc/sysconfig/oracleasm` 中的 `ORACLEASM_SCANORDER` 参数设置为 `dm`。
  - b 重新引导系统以应用更改。
- 4 在终端窗口中的第一个节点上，键入以下命令并按 <Enter> 键：  

```
service oracleasm createdisk ASM1 /dev/emcpowerb1
service oracleasm createdisk ASM2 /dev/emcpowerc1
```
- 5 对所有需要创建的附加 ASM 磁盘，重复步骤 4。

- 6 验证是否已创建和标记针对 ASM 用途的 ASM 磁盘。在终端窗口中，键入以下命令并按 <Enter> 键：

```
service oracleasm listdisks
```

此时将显示在步骤 4 中创建的磁盘。例如：

```
ASM1
```

```
ASM2
```

- 7 确保其余节点可以访问您在步骤 4 中创建的 ASM 磁盘。在其余每个节点上，打开终端窗口，键入以下命令并按 <Enter> 键：

```
service oracleasm scandisks
```

# 索引

## D

Dell|EMC 光纤信道  
存储设备, 96  
交换机, 96

## E

EMC  
Navisphere, 130  
PowerPath, 130  
Enterprise Linux, 80

## I

ifconfig, 82

IP 地址  
公用 IP 地址, 81  
虚拟 IP 地址, 81  
专用 IP 地址, 81

## M

Modular Disk Storage Manager, 104  
MPIO 软件, 104  
MTU, 118

## N

NIC  
端口分配, 81

## P

PowerConnect 交换机, 113  
PowerPath 虚拟设备, 130

## S

SAS  
群集设置, 101, 107, 113, 129

## Z

帮助, 80  
Dell 支持, 80  
Oracle 支持, 80  
绑定对, 81  
别名, 125  
布线  
iSCSI 群集, 108  
光纤信道存储设备, 97  
超长帧, 118  
电缆  
CAT 5e, 96  
CAT 6, 96

- 高可用性, 82
- 光纤信道
  - SAN 连接配置, 98
  - 直接连接配置, 97
- 卷, 116
- 链接监测, 82
- 逻辑单元编号, 80
- 认证与培训
  - Dell, 80
  - Oracle, 80
- 术语
  - 成员, 113
  - 池, 113
  - 卷, 113
  - 组, 113
- 网络绑定, 82
- 网络参数, 83
- 虚拟磁盘, 80
- 以太网交换机, 96
- 域命名服务, 81
- 资源介质
  - PowerVault MD3000, 105

Oracle<sup>®</sup> Database sous  
Enterprise Linux<sup>®</sup> x86\_64 pour  
systèmes Dell<sup>™</sup> PowerEdge<sup>™</sup>

**Guide de stockage  
et de mise en réseau  
Version 1.3**



# Remarques, précautions et avertissements



**REMARQUE** : Une REMARQUE indique des informations importantes qui peuvent vous aider à mieux utiliser votre ordinateur.



**PRÉCAUTION** : Une PRÉCAUTION indique un risque de dommage matériel ou de perte de données en cas de non-respect des instructions.



**AVERTISSEMENT** : Un AVERTISSEMENT vous avertit d'un risque d'endommagement du matériel, de blessure corporelle ou de mort.

---

Les informations contenues dans ce document sont sujettes à modification sans préavis.

© 2010 Dell Inc. Tous droits réservés.

La reproduction de ce document de quelque manière que ce soit sans l'autorisation écrite de Dell Inc. est strictement interdite.

Marques mentionnées dans ce document : *Dell*, le logo *DELL*, *EqualLogic*, *Optiplex*, *PowerConnect*, *PowerEdge* et *PowerVault* sont des marques de Dell Inc. ; *Broadcom* est une marque de Broadcom Corp ; *EMC*, *Navisphere* et *PowerPath* sont des marques déposées d'EMC Corporation ; *Intel* est une marque déposée d'Intel aux États-Unis et dans d'autres pays ; *Oracle* est une marque déposée d'Oracle Corporation et/ou de sociétés affiliées. *Red Hat* et *Red Hat Enterprise Linux* sont des marques déposées de Red Hat, Inc. aux États-Unis et dans d'autres pays.

D'autres marques commerciales et noms de marque peuvent être utilisés dans ce document pour faire référence aux entités se réclamant de ces marques et de ces noms ou de leurs produits. Dell Inc. dénie tout intérêt propriétaire vis-à-vis des marques et des noms de marque autres que les siens.

# Table de matières

|   |                                                                 |            |
|---|-----------------------------------------------------------------|------------|
| 1 | Présentation . . . . .                                          | 143        |
|   | <b>Documentation requise pour déployer</b>                      |            |
|   | <b>Dell Oracle Database . . . . .</b>                           | <b>143</b> |
|   | <b>Terminologie utilisée dans le présent document . . . . .</b> | <b>144</b> |
|   | <b>Obtention d'aide . . . . .</b>                               | <b>144</b> |
|   | Support Dell. . . . .                                           | 144        |
|   | Support Oracle . . . . .                                        | 145        |
| 2 | Configuration du réseau . . . . .                               | 147        |
|   | <b>Configuration du réseau public . . . . .</b>                 | <b>148</b> |
|   | <b>Configuration du réseau privé</b>                            |            |
|   | <b>à l'aide de liens (bonding). . . . .</b>                     | <b>149</b> |
|   | <b>Configuration des équivalences d'utilisateurs . . . . .</b>  | <b>151</b> |
|   | Configuration de la commande ssh . . . . .                      | 151        |
|   | <b>Exigences pour l'adresse IP</b>                              |            |
|   | <b>et la résolution de nom . . . . .</b>                        | <b>151</b> |
|   | Pour un cluster utilisant un serveur GNS . . . . .              | 151        |
|   | Pour un cluster utilisant un serveur DNS . . . . .              | 154        |
|   | <b>Activation du service IPMI . . . . .</b>                     | <b>156</b> |
|   | Préalables pour activer le service IPMI . . . . .               | 156        |
|   | Configuration du pilote Open IPMI . . . . .                     | 157        |
|   | Configuration du contrôleur BMC                                 |            |
|   | à l'aide d'IPMItool . . . . .                                   | 158        |

|          |                                                                                                                           |            |
|----------|---------------------------------------------------------------------------------------------------------------------------|------------|
| <b>3</b> | <b>Configuration<br/>d'un cluster Fibre Channel . . . . .</b>                                                             | <b>163</b> |
|          | <b>Connexions matérielles pour<br/>un cluster Fibre Channel. . . . .</b>                                                  | <b>163</b> |
|          | <b>Câblage du système de stockage Fibre Channel . . . . .</b>                                                             | <b>166</b> |
|          | Configuration Fibre Channel<br>à connexion directe. . . . .                                                               | 166        |
|          | Configuration Fibre Channel<br>à connexion SAN . . . . .                                                                  | 167        |
| <b>4</b> | <b>Configuration d'un cluster SAS<br/>pour les châssis d'extension<br/>Dell PowerVault MD3000<br/>et MD1000 . . . . .</b> | <b>169</b> |
|          | <b>Configuration du matériel . . . . .</b>                                                                                | <b>172</b> |
|          | <b>Installation des logiciels de stockage hôtes . . . . .</b>                                                             | <b>173</b> |
|          | <b>Vérification et mise à niveau du micrologiciel . . . . .</b>                                                           | <b>174</b> |
|          | <b>Installation du pilote de l'adaptateur SAS 5/E . . . . .</b>                                                           | <b>174</b> |
|          | <b>Exécution des tâches de post-installation . . . . .</b>                                                                | <b>174</b> |

|   |                                                                                                                      |            |
|---|----------------------------------------------------------------------------------------------------------------------|------------|
| 5 | Configuration d'un cluster iSCSI<br>pour les châssis de stockage<br>Dell™ PowerVault™ MD3000i<br>et MD1000 . . . . . | 175        |
|   | <b>Configuration du matériel . . . . .</b>                                                                           | <b>176</b> |
|   | <b>Installation des logiciels hôtes requis<br/>pour le stockage . . . . .</b>                                        | <b>179</b> |
|   | <b>Vérification et mise à niveau du micrologiciel . . . . .</b>                                                      | <b>180</b> |
|   | <b>Tâches de post-installation . . . . .</b>                                                                         | <b>180</b> |
| 6 | Configuration d'un cluster iSCSI<br>pour le système de stockage<br>Dell EqualLogic série PS . . . . .                | 181        |
|   | <b>Terminologie EqualLogic . . . . .</b>                                                                             | <b>181</b> |
|   | <b>Configuration du système<br/>de stockage iSCSI EqualLogic. . . . .</b>                                            | <b>182</b> |
|   | Création des volumes. . . . .                                                                                        | 185        |
|   | Configuration des réseaux iSCSI. . . . .                                                                             | 187        |
|   | Définition des paramètres d'accès<br>des systèmes hôtes aux volumes. . . . .                                         | 188        |

|   |                                                                                                                                                                 |            |
|---|-----------------------------------------------------------------------------------------------------------------------------------------------------------------|------------|
| 7 | Configuration du stockage<br>de la base de données sur l'hôte . . . . .                                                                                         | 199        |
|   | <b>Vérification et identification des disques<br/>de stockage . . . . .</b>                                                                                     | <b>199</b> |
|   | <b>Définition des partitions de disque<br/>pour les systèmes exécutant Linux . . . . .</b>                                                                      | <b>202</b> |
|   | Exemple : arguments de l'utilitaire fdisk . . . . .                                                                                                             | 202        |
|   | Utilisation de fdisk pour le paramétrage<br>d'une partition de disque . . . . .                                                                                 | 203        |
|   | <b>Configuration du stockage partagé<br/>pour le clusterware, la base de données<br/>et les fichiers de récupération<br/>dans un environnement RAC. . . . .</b> | <b>204</b> |
|   | Index . . . . .                                                                                                                                                 | 207        |

# Présentation

Ce document est un guide général de configuration des composants de stockage et réseau requis pour exécuter la base de données Dell|Oracle sur un système sur lequel le système d'exploitation Red Hat® Enterprise Linux® ou Oracle® Enterprise Linux est installé. Il s'applique à Oracle Database 11g R2 exécuté sur Red Hat Enterprise Linux ou Oracle Enterprise Linux 5.3 AS x86\_64. Pour la liste des configurations de stockage et réseau prises en charge par votre système, accédez à [dell.com/oracle](http://dell.com/oracle), puis cliquez sur **Dell™ Validated Components** (Composants approuvés par Dell™).

## Documentation requise pour déployer Dell|Oracle Database



**REMARQUE :** La documentation ci-dessous est disponible sur [support.dell.com/manuals](http://support.dell.com/manuals).

- *Oracle Database sous Enterprise Linux x86\_64 pour systèmes Dell PowerEdge - Guide d'installation du système d'exploitation et du matériel* : présente la configuration minimale et les versions logicielles requises, le mode d'installation et de configuration du système d'exploitation, la procédure de vérification des configurations matérielles et logicielles et la manière d'obtenir des fichiers Open Source.
- *Oracle Database sous Enterprise Linux x86\_64 pour systèmes Dell PowerEdge - Guide de stockage et de mise en réseau* : indique comment installer et configurer les solutions de mise en réseau et de stockage.
- *Oracle Database sous Enterprise Linux x86\_64 pour systèmes Dell PowerEdge. Guide de configuration et d'installation de Database* : indique comment installer et configurer la base de données Oracle.
- *Oracle Database sous Enterprise Linux x86\_64 pour systèmes Dell PowerEdge - Guide de dépannage* : indique comment dépanner et résoudre les erreurs rencontrées lors des procédures d'installation décrites dans les modules précédents.



**REMARQUE :** Tous les modules indiquent comment recevoir une assistance technique auprès de Dell.

# Terminologie utilisée dans le présent document

Dans ce document, les termes LUN (numéro d'unité logique) et disque virtuel sont synonymes. Le terme LUN est généralement utilisé pour les environnements de systèmes de stockage Fibre-Channel Dell/EMC. Le terme disque virtuel est plutôt réservé aux environnements de stockage SAS Dell PowerVault™ (PowerVault MD3000 et PowerVault MD3000i avec châssis d'extension PowerVault MD1000) ou iSCSI Dell EqualLogic.



**REMARQUE :** Sauf mention contraire, le terme *Enterprise Linux* s'applique aussi bien à Red Hat Enterprise Linux qu'à Oracle Enterprise Linux dans ce document.

## Obtention d'aide

### Support Dell

- Pour plus d'informations sur l'utilisation du système, voir la documentation fournie avec ses composants.
- Pour les livres blancs, les configurations prises en charge par Dell et des informations générales, voir [dell.com/oracle](http://dell.com/oracle).
- Pour accéder au support technique Dell pour votre matériel et votre système d'exploitation et télécharger les dernières mises à jour pour votre système, voir [support.dell.com/manuals](http://support.dell.com/manuals).
- Pour contacter Dell, voir les informations fournies dans *Oracle Database sous Enterprise Linux x86\_64 pour systèmes Dell PowerEdge-Guide de dépannage* sur [support.dell.com/manuals](http://support.dell.com/manuals).
- Des formations et certifications Dell Enterprise sont désormais disponibles. Pour plus d'informations, voir [dell.com/training](http://dell.com/training). Ce service n'est disponible que dans certains pays.
- Pour obtenir des informations sur l'installation et la configuration d'Oracle, voir *Oracle Database sous Enterprise Linux x86\_64 pour systèmes Dell PowerEdge - Guide de configuration et d'installation de Database* sur [support.dell.com/manuals](http://support.dell.com/manuals).

## **Support Oracle**

- Pour des informations sur les formations relatives au logiciel Oracle et au clusterware de l'application, mais aussi pour contacter Oracle, voir **oracle.com** ou votre documentation Oracle.
- Pour le support technique, les fichiers téléchargements et d'autres informations techniques, voir le site Web **metalink.oracle.com**.



# Configuration du réseau

Cette section fournit des informations sur la configuration du réseau de clusters publics et privés.



**REMARQUE :** Chaque nœud d'un réseau doit posséder une adresse IP publique et privée unique. Une adresse IP publique supplémentaire doit être utilisée comme adresse IP virtuelle pour les connexions des clients et le basculement en cas de panne. De ce fait, il faut au total trois adresses IP pour chaque nœud. L'adresse IP virtuelle doit appartenir au même sous-réseau que l'adresse IP publique. Toutes les adresses IP publiques, y compris l'adresse IP virtuelle, doivent être enregistrées sur le DNS (service de noms de domaine) et être routables. Pour plus d'informations, voir "Exigences pour l'adresse IP et la résolution de nom" à la page 151.

Selon le nombre de ports de carte réseau disponibles, configurez les interfaces comme indiqué dans le tableau 2-1.

**Tableau 2-1. Affectation des ports de carte réseau**

| Port de carte réseau | Ports disponibles                                                |
|----------------------|------------------------------------------------------------------|
| 1                    | IP publique, IP virtuelle et IP SCAN (Single Client Access Name) |
| 2                    | IP privée (avec lien réseau)                                     |
| 3                    | IP privée (avec lien réseau)                                     |

## Configuration du réseau public

 **REMARQUE** : Vérifiez que l'adresse IP publique est valide et routable.

 **REMARQUE** : Pour le réseau privé, les deux ports de carte réseau avec lien réseau doivent être sur des bus PCI distincts. Par exemple, une paire avec lien peut être composée d'une carte réseau intégrée et d'une carte réseau supplémentaire.

Pour configurer le réseau public sur *chaque nœud* :

- 1 Ouvrez une session en tant que **root**.
- 2 Modifiez le fichier `/etc/sysconfig/network-scripts/ifcfg-eth#` du périphérique réseau, où `#` correspond au numéro de ce dernier :

 **REMARQUE** : Vérifiez que l'adresse *Gateway* est configurée pour l'interface réseau public. Si elle n'est pas configurée, l'installation de la grille risque d'échouer.

```
DEVICE=eth0
ONBOOT=yes
IPADDR=<Adresse IP publique>
NETMASK=<Masque de sous-réseau>
BOOTPROTO=static
HWADDR=<Adresse MAC>
SLAVE=no
GATEWAY=<Adresse de la passerelle>
```

- 3 Modifiez le fichier `/etc/sysconfig/network`. Le cas échéant, remplacez `localhost.localdomain` par le nom qualifié du nœud public. Par exemple, la commande pour le nœud 1 :  
`hostname=nœud1.domaine.com`
- 4 Tapez `service network restart` pour démarrer le service réseau.
- 5 Tapez `ifconfig` pour vérifier que les adresses IP sont configurées correctement.
- 6 Pour vérifier que le réseau est configuré correctement, lancez un test ping sur chaque adresse IP publique à partir d'un client du réseau local situé hors du cluster.
- 7 Connectez-vous à chaque nœud pour vérifier que le réseau public fonctionne. Tapez `ssh <IP publique>` pour vérifier que la commande `secure shell (ssh)` fonctionne également.

# Configuration du réseau privé à l'aide de liens (bonding)

Avant de déployer le cluster, vous devez configurer le réseau privé de manière à permettre aux nœuds de communiquer entre eux. Pour ce faire, il est nécessaire de configurer des liens réseau et d'attribuer une adresse IP privée et un nom d'hôte à chaque nœud du cluster.

Afin d'établir les liens réseau pour les cartes réseau Broadcom® ou Intel® et de configurer le réseau privé, effectuez la procédure suivante sur *chaque nœud* :

- 1 Ouvrez une session en tant que **root**.
- 2 Ajoutez la ligne suivante au fichier `/etc/modprobe.conf` :  
`alias bond0 bonding`
- 3 Pour une disponibilité optimale, modifiez le fichier `/etc/modprobe.conf` en activant la l'option de **surveillance des liaisons**.  
La valeur par défaut de **miimon** est **0**. Cette valeur désactive la surveillance des liaisons. Dans un premier temps, définissez-la sur **100** millisecondes. Réglez la valeur de l'option de surveillance des liaisons afin d'améliorer les performances. Par exemple, tapez :  
`options bonding miimon=100 mode=6 max_bonds=2`

- 4 Dans le répertoire `/etc/sysconfig/network-scripts/`, créez ou modifiez le fichier de configuration `ifcfg-bond0`.  
Par exemple, avec les paramètres réseau fictifs, le fichier se présente comme suit :

```
DEVICE=bond0
IPADDR=192.168.0.1
NETMASK=255.255.255.0
NETWORK=192.168.0.0
BROADCAST=192.168.0.255
ONBOOT=yes
BOOTPROTO=none
USERCTL=no
```

Les entrées `NETMASK`, `NETWORK` et `BROADCAST` sont facultatives. `DEVICE=bondn` est le nom requis pour le lien, *n* correspondant au numéro de lien. `IPADDR` correspond à l'adresse IP privée. Pour utiliser `bond0` comme périphérique virtuel, vous devez indiquer les périphériques esclaves.

**5** Pour chaque périphérique membre d'un lien, effectuez les opérations suivantes :

**a** Dans le répertoire `/etc/sysconfig/network-scripts/`, modifiez le fichier `ifcfg-ethn` :

```
DEVICE=ethn
HWADDR=<ADRESSE MAC>
ONBOOT=yes
TYPE=Ethernet
USERCTL=no
MASTER=bond0
SLAVE=yes
BOOTPROTO=none
```

**b** Tapez `service network restart` et ne tenez pas compte des avertissements.

**6** Sur *chaque nœud*, tapez `ifconfig` pour vérifier le bon fonctionnement de l'interface privée.

L'adresse IP privée du nœud doit être associée à l'interface privée `bond0`.

**7** Une fois les adresses IP privées définies sur chaque nœud, vérifiez le bon fonctionnement du réseau privé en lançant un test ping sur chaque adresse IP à partir d'un nœud.

**8** Connectez-vous à chaque nœud. Vérifiez que le réseau privé et la commande Secure Shell (`ssh`) fonctionnent correctement en tapant :

```
ssh <IP privée>
```

# Configuration des équivalences d'utilisateurs

## Configuration de la commande ssh

- 1 Sur le nœud principal, ouvrez une session en tant qu'utilisateur **root**.
- 2 Exécutez le script `sshUserSetup.sh` qui se trouve dans le sous-dossier binaire Grid du dossier `sshsetup` :

```
sh sshUserSetup.sh -hosts "host1 host2" -user grid
-advanced
```

```
sh sshUserSetup.sh -hosts "host1 host2" -user
oracle -advanced
```

où *host1* et *host2* correspondent aux noms des nœuds du cluster.

Après avoir exécuté l'étape 2, vous pouvez configurer la commande `ssh` sur les autres nœuds de la grille et ouvrir une session en tant qu'utilisateur Oracle. L'ouverture de session peut nécessiter un mot de passe.

## Exigences pour l'adresse IP et la résolution de nom

### Pour un cluster utilisant un serveur GNS

Les exigences minimales pour la configuration d'un cluster Oracle 11g R2 RAC à l'aide d'un serveur GNS Oracle (Oracle Global Naming Server) sont les suivantes :

- Au moins deux interfaces configurées sur chaque nœud, une pour l'adresse IP privée et une pour l'adresse IP publique.
- Un serveur DNS (Domain Naming Server) s'exécutant sur le réseau pour la résolution d'adresses de l'adresse IP virtuelle du serveur GNS.
- L'entrée DNS pour établir une recherche DNS en vue de diriger la résolution DNS d'un sous-domaine vers le cluster.
- Un service DHCP s'exécutant sur le réseau public du cluster.
- Suffisamment d'adresses sur le service DHCP pour attribuer une adresse IP au réseau virtuel IP de chaque nœud et trois adresses IP au cluster utilisé par le nom SCAN.

Le tableau 2-2 décrit les différentes interfaces, paramètres d'adresses IP et résolutions d'un cluster.

**Tableau 2-2. Paramètres d'adresses IP d'un cluster utilisant un serveur GNS**

| Interface                           | Type     | Solution   |
|-------------------------------------|----------|------------|
| Public                              | Statique | /etc/hosts |
| Privé                               | Statique | Non requis |
| Adresse IP virtuelle du nœud        | DHCP     | GNS        |
| Adresse IP virtuelle du serveur GNS | Statique | DNS        |
| Adresse IP virtuelle du SCAN        | DHCP     | GNS        |

### Configuration d'un serveur DNS

Pour configurer un serveur DNS à l'aide d'un serveur GNS :

- 1 Configurez l'adresse VIP du serveur GNS sur le serveur DNS—  
Sur le serveur DNS, créez une entrée de résolution de nom pour l'adresse IP virtuelle du serveur GNS dans le fichier de recherche.

Par exemple : `gns-server IN A 192.0.2.2`

où *gns-server* est l'adresse IP virtuelle du serveur GNS attribuée lors de l'installation de la grille. L'adresse fournie doit être routable et appartenir à la plage publique. Par exemple, 192.0.2.2.

- 2 Configurez la délégation de sous-domaine GNS—Sur le serveur DNS, créez une entrée pour établir un fichier de recherche DNS qui dirige la résolution DNS d'un sous-domaine GNS au cluster. Ajoutez le fichier de recherche DNS suivant : `clusterdomain.example.com. NS gns-server.example.com.`

où *clusterdomain.example.com* correspond au sous-domaine GNS (fourni lors de l'installation de la grille) que vous déléguez et *gns-server.clustername.com* résout vers une adresse IP virtuelle du serveur GNS.

## Configuration d'un client DNS

Pour configurer un client DNS :

- 1 Ajoutez les entrées hôtes dans le nom de domaine du fichier `/etc/hosts`.  
Sur chaque nœud, modifiez les lignes du fichier `/etc/hosts` en tapant :  

```
127.0.0.1 localhost.localdomain localhost

<public IP node1> <fully qualified hostname node1>
<public hostname node1>

<public IP node2> <fully qualified hostname node2>
<public hostname node2>
```

- 2 Sur tous les nœuds du cluster, ajoutez dans le fichier `resolv.conf` des entrées de nom serveur qui peuvent être résolues vers les serveurs DNS.  
Par exemple, modifiez le `/etc/resolv.conf` comme suit :

```
options attempts: 2

options timeout: 1

search clusterdomain.example.com example.com

nameserver 192.0.2.1

nameserver 192.0.2.2
```

 **REMARQUE** : La durée totale du délai, qui est une combinaison des options tentées et des options expirées, doit être inférieure à 30 secondes.

Dans l'exemple ci-dessus, `192.0.2.1` correspond à l'adresse de serveur DNS valide, `192.0.2.2` à l'adresse IP virtuelle du serveur GNS de votre réseau et `clusterdomain.example.com` au sous-domaine GNS.

- 3 Vérifiez l'ordre de la configuration. Le fichier `/etc/nsswitch.conf` gère l'ordre de recherche de noms de service.

Dans certaines configurations système, le système d'informations réseau (NIS, Network Information System) peut provoquer des incidents avec la résolution d'adresses Oracle SCAN. Il est recommandé de reléguer l'entrée NIS en fin de liste de recherche.

Par exemple, `hosts: files dns nis`

## Pour un cluster utilisant un serveur DNS

Les exigences minimales pour installer un cluster Oracle 11g R2 RAC à l'aide d'un serveur DNS Oracle (sans GNS) sont les suivantes :

- 1 Au moins deux interfaces configurées sur chaque nœud, une pour l'adresse IP privée et une pour l'adresse IP publique.
- 2 Un NOM SCAN configuré sur le serveur DNS pour la résolution “round robin” (répétition alternée) vers trois adresses (recommandé) ou au moins une adresse. Les adresses SCAN doivent appartenir au même sous-réseau que les adresses IP virtuelles et les adresses IP publiques.



**REMARQUE :** Pour une disponibilité et une évolutivité de haute qualité, Oracle recommande de configurer le SCAN pour l'utilisation de la résolution “round robin” vers trois adresses IP. Le nom du SCAN ne doit pas commencer par un chiffre. Pour une installation correcte, le SCAN doit résoudre vers au moins une adresse.

Le tableau 2-3 décrit les différents interfaces, paramètres d'adresse IP et résolutions d'un cluster.

**Tableau 2-3. Paramètres d'adresses IP d'un cluster utilisant un serveur DNS**

| Interface                    | Type     | Solution          |
|------------------------------|----------|-------------------|
| Public                       | Statique | /etc/hosts ou DNS |
| Privé                        | Statique | Non requis        |
| Adresse IP virtuelle du nœud | Statique | /etc/hosts ou DNS |
| Adresse IP virtuelle du SCAN | Statique | DNS               |

## Configuration d'un serveur DNS

Pour configurer les modifications sur un serveur DNS pour un cluster Oracle 11g R2 avec un DNS (sans GNS) :

- 1 Configurez la résolution NOM SCAN sur le serveur DNS. Sur le serveur DNS, créez une entrée de résolution de nom pour l'adresse IP virtuelle du serveur GNS dans le fichier de recherche. Par exemple :

```
scancluster IN A 192.0.2.1
 IN A 192.0.2.2
 IN A 192.0.2.3
```

où *scancluster* correspond au NOM SCAN fourni lors de l'installation de la grille.



**REMARQUE** : L'adresse IP SCAN fournie doit être routable et appartenir à la plage publique.

## Configuration d'un client DNS

Pour configurer les modifications requises sur les nœuds du cluster pour la résolution de noms :

- 1 Ajoutez les entrées de l'hôte dans le fichier */etc/hosts*. Sur chaque nœud, modifiez les lignes du fichier */etc/hosts* en tapant :

```
127.0.0.1 localhost.localdomain localhost
<public IP node1> <fully qualified hostname
node1> <public hostname node1>
<public IP node2> <fully qualified hostname
node2> <public hostname node2>
<Virtual IP node1> <fully qualified Virtual
hostname node1> <Virtual hostname node1>
<Virtual IP node2> <fully qualified Virtual
hostname node2> <Virtual hostname node2>
```

- 2 Vous devez configurer le fichier `resolv.conf` sur les nœuds du cluster en y ajoutant des entrées serveurs de noms qui peuvent être résolues vers le serveur DNS. Spécifiez une entrée similaire à celle-ci :

```
/etc/resolv.conf:

search nsl.domainserver.com

nameserver 192.0.2.100
```

où `192.0.2.100` correspond à une adresse de serveur DNS valide de votre réseau, et `nsl.domainserver.com` au serveur de domaine de votre réseau.

- 3 Vérifiez l'ordre de la configuration. Le fichier `/etc/nsswitch.conf` gère l'ordre des noms de service. Dans certaines configurations système, le NIS peut provoquer des incidents avec la résolution d'adresses Oracle SCAN. Il est recommandé de reléguer l'entrée NIS en fin de liste de recherche. Par exemple, `hosts: files dns nis`

## Activation du service IPMI

L'interface de gestion de plateforme intelligente (IPMI, Intelligent Platform Management Interface) fournit un ensemble d'interfaces courantes au matériel et au micrologiciel, que les administrateurs système peuvent utiliser pour gérer le système et surveiller son intégrité. Avec Oracle 11g R2, Oracle Clusterware peut intégrer le service IPMI pour prendre en charge l'isolement de défaillances et vérifier l'intégrité du cluster.

### Préalables pour activer le service IPMI

Chaque nœud de cluster doit être doté d'un contrôleur BMC (Baseboard Management Controller) exécutant un micrologiciel compatible avec le service IPMI version 1.5 ou supérieure et configuré pour la commande à distance via le réseau local.



**REMARQUE :** Il est recommandé d'utiliser un réseau de gestion dédié (port DRAC) pour le service IPMI.

La commande rpm Linux requise pour `ipmitool` est `OpenIPMI-tools-2.0.6-11.el5.x86_64.rpm`.

## Configuration du pilote Open IPMI

- 1 Ouvrez une session en tant que `root`.
- 2 Pour activer le service IPMI, tapez :  
`chkconfig ipmi on`
- 3 Pour démarrer le service IPMI, tapez : `service ipmi start`
- 4 Exécutez la commande `/sbin/lsmmod | grep ipmi` pour vérifier que les modules IPMI ont été chargés. Par exemple :

```
/sbin/lsmmod | grep ipmi
ipmi_devintf 44753 2
ipmi_si 77453 1
ipmi_msghandler 72985 2
ipmi_devintf,ipmi_si
```

- 5 Vérifiez que le système reconnaît le périphérique IPMI en utilisant la commande suivante : `ls -l /dev/ipmi0`

Si le périphérique IPMI a été chargé de manière dynamique, la sortie devrait ressembler à ceci :

```
ls -l /dev/ipmi0
crw----- 1 root root 252, 0 Dec 23 16:41
/dev/ipmi0
```

## Configuration du contrôleur BMC à l'aide d'IPMItool

Utilisez l'exemple suivant pour configurer le contrôleur BMC avec ipmitool version 2.0 :

- 1 Ouvrez une session en tant que **root**.
- 2 Vérifier que ipmitool communique avec le contrôleur BMC à l'aide du pilote IPMI. Utilisez les commandes suivantes pour vérifier l'ID du périphérique dans la sortie :

```
ipmitool bmc info
Device ID : 32
Device Revision : 0
Firmware Revision : 0.20
IPMI Version : 2.0
Manufacturer ID : 674
Manufacturer Name : Unknown (0x2a2)
Product ID : 256 (0x0100)
```

Si ipmitool ne parvient pas à communiquer avec le contrôle BMC, voir “Configuration du pilote Open IPMI” à la page 157 et vérifier que le pilote IPMI est actif.

- 3 Activez le service IPMI sur le réseau local :
  - a Déterminez le numéro de canal du service IPMI sur le réseau local. En commençant par le canal 1, exécutez la commande ci-dessous jusqu'à ce que vous trouviez le canal qui affiche les attributs requis pour le réseau local, tels que l'adresse IP :

```
ipmitool lan print 1
. . .
IP Address Source : 0x01
IP Address : 140.87.155.89
. . .
```

- b Activez l'accès au réseau local pour le canal trouvé. Par exemple, s'il s'agit du canal 1 :

```
ipmitool lan set 1 access on
```

**4** Configurez les paramètres d'adresses IP du service IPMI en utilisant les procédures ci-dessous :

- Avec l'adressage IP dynamique—L'adressage IP dynamique est l'option par défaut dans Oracle Universal Installer. Il est recommandé de la sélectionner afin de pouvoir ajouter ou supprimer facilement des nœuds, car elle permet d'attribuer automatiquement les paramètres d'adresses.

Par exemple, s'il s'agit du canal 1, entrez la commande suivante pour activer DHCP et définir le canal :

```
ipmitool lan set 1 ipsrc dhcp
```

 **REMARQUE** : L'utilisation de DHCP implique la présence d'un serveur DHCP sur le sous-réseau.

- Avec l'adressage IP statique—Si le contrôleur BMC partage une connexion réseau avec le système d'exploitation, alors l'adresse IP doit appartenir au même sous-réseau. Vous devez définir non seulement l'adresse IP, mais aussi les valeurs appropriées du masque de réseau et la passerelle par défaut. Par exemple, s'il s'agit du canal 1 :

```
ipmitool lan set 1 ipaddr 192.168.0.55
```

```
ipmitool lan set 1 netmask 255.255.255.0
```

```
ipmitool lan set 1 defgw ipaddr 192.168.0.1
```

L'adresse spécifiée dans l'exemple (192.168.0.55) est associée uniquement au contrôleur BMC et ne réagit pas aux tests ping habituels.

**5** Créez un compte d'administration avec nom d'utilisateur et mot de passe en procédant comme suit (l'on suppose qu'il s'agit du canal 1) :

- a** Configurez le contrôleur BMC pour l'authentification du mot de passe d'accès **Admin** via le réseau local. Par exemple :

```
ipmitool lan set 1 auth ADMIN MD5,PASSWORD
```

- b** Affichez la liste des emplacements de comptes sur le contrôleur BMC, puis identifiez un emplacement non utilisé (ID d'utilisateur avec champ de nom d'utilisateur vide). Par exemple :

```
ipmitool channel getaccess 1
. . .
User ID : 4
User Name :
Fixed Name : No
Access Available : call-in / callback
Link Authentication : disabled
IPMI Messaging : disabled
Privilege Level : NO ACCESS
. . .
```

- c** Spécifiez le nom d'utilisateur et le mot de passe administrateur de votre choix, puis activez la messagerie pour l'emplacement identifié. Définissez également son niveau de privilège en cas d'accès via le réseau local (canal 1) sur ADMIN (niveau 4). Par exemple :

```
ipmitool user set name 4 bmcuser
ipmitool user set password 4 password
ipmitool user enable 4
ipmitool channel setaccess 1 4 privilege=4
ipmitool channel setaccess 1 4 link=on
ipmitool channel setaccess 1 4 ipmi=on
```

où *bmcuser* correspond au nom d'utilisateur administrateur, et *password* au mot de passe.

- d Vérifiez la configuration à l'aide de la commande `lan print 1`.  
La sortie devrait ressembler à ceci :

```
ipmitool lan print 1

Set in Progress : Set Complete
Auth Type Support : NONE MD2 MD5 PASSWORD
Auth Type Enable : Callback : MD2 MD5
: User : MD2 MD5
: Operator : MD2 MD5
: Admin : MD5 PASSWORD
: OEM : MD2 MD5

IP Address Source : DHCP Address [or Static
Address]
IP Address : 192.168.0.55
Subnet Mask : 255.255.255.0
MAC Address : 00:14:22:23:fa:f9
SNMP Community String : public
IP Header : TTL=0x40 Flags=0x40 Precedence=...
Default Gateway IP : 192.168.0.1
Default Gateway MAC : 00:00:00:00:00:00
.
.
.
ipmitool channel getaccess 1 4
Maximum User IDs : 10
Enabled User IDs : 2
User ID : 4
User Name : bmcuser
```

```
Fixed Name : No
Access Available : call-in / callback
Link Authentication : enabled
IPMI Messaging : enabled
Privilege Level : ADMINISTRATOR
```

- 6 Vérifiez que le contrôleur BMC est accessible et qu'il peut être commandé à partir d'un nœud distant de votre cluster à l'aide de la commande **bmc info**.

Par exemple, si *node2-ipmi* est le nom d'hôte réseau attribué au contrôleur BMC pour le nœud2, alors pour le vérifier sur le nœud2 depuis le nœud1, entrez la commande suivante sur le nœud1 :

```
$ ipmitool -H node2-ipmi -U bmcuser -P password
bmc info
```

où *bmcuser* correspond au compte administrateur, et *password* au mot de passe.

Si le contrôleur BMC est correctement configuré, les informations le concernant sur le nœud distant s'affichent. Si un message d'erreur s'affiche, par exemple **Error: Unable to establish LAN session** (Erreur : Impossible d'ouvrir une session sur le réseau local), vérifiez la configuration du contrôleur BMC sur le nœud distant.

# Configuration d'un cluster Fibre Channel

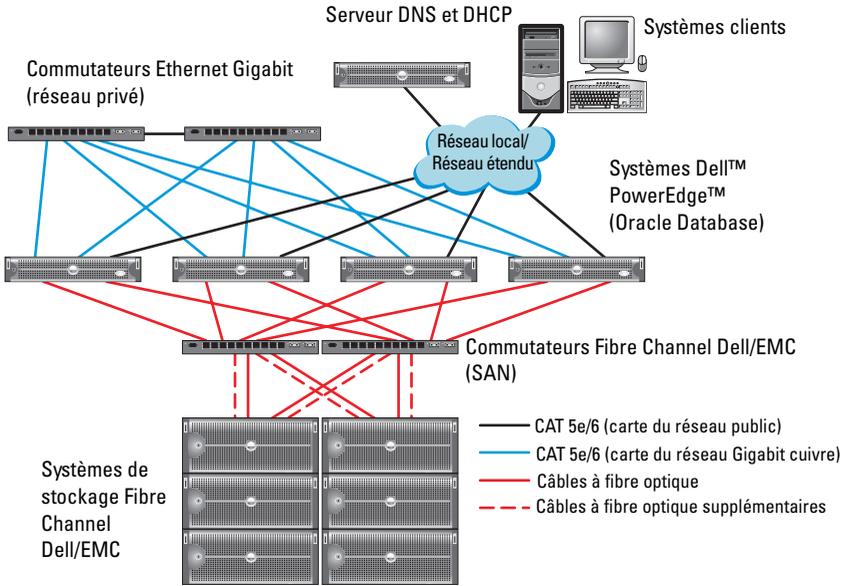
**⚠ AVERTISSEMENT : Avant d'exécuter les opérations décrites dans cette section, lisez les consignes de sécurité fournies avec votre système. Pour plus d'informations sur les meilleures pratiques en matière de sécurité, voir la page dédiée à la conformité et aux réglementations à l'adresse suivante : [www.dell.com/regulatory\\_compliance](http://www.dell.com/regulatory_compliance).**

Cette section vous aide à vérifier les connexions matérielles ainsi que les configurations matérielles et logicielles du cluster Fibre Channel.

## Connexions matérielles pour un cluster Fibre Channel

La figure 3-1 présente les connexions matérielles d'un cluster Fibre Channel.

**Figure 3-1. Connexions matérielles pour un cluster Fibre Channel**



Le tableau 3-1 répertorie les connexions matérielles Fibre Channel présentées sur la figure 3-1 et résume les connexions du cluster.

**Tableau 3-1. Interconnexions matérielles pour Fibre Channel**

| Composant de cluster                       | Connexions                                                                                                                                                                                                                                                                                                                                                                                                                                                                                                                                                                                                                                                                                                                                                                                                     |
|--------------------------------------------|----------------------------------------------------------------------------------------------------------------------------------------------------------------------------------------------------------------------------------------------------------------------------------------------------------------------------------------------------------------------------------------------------------------------------------------------------------------------------------------------------------------------------------------------------------------------------------------------------------------------------------------------------------------------------------------------------------------------------------------------------------------------------------------------------------------|
| Nœud du système Poweredge                  | <ul style="list-style-type: none"> <li>• Un câble CAT 5e ou CAT 6 reliant la carte du réseau public à celle du réseau local (LAN)</li> <li>• Un câble CAT 5e ou CAT 6 reliant la carte du réseau Gigabit privé au commutateur Ethernet Gigabit</li> <li>• Un câble CAT 5e ou CAT 6 reliant une carte du réseau Gigabit privé redondant à un commutateur Ethernet Gigabit redondant</li> <li>• Un câble à fibre optique reliant l'adaptateur HBA 0 au commutateur Fibre Channel 0</li> <li>• Un câble à fibre optique reliant l'adaptateur HBA 1 au commutateur Fibre Channel 1</li> </ul>                                                                                                                                                                                                                      |
| Système de stockage Fibre Channel Dell/EMC | <ul style="list-style-type: none"> <li>• Deux câbles CAT 5e ou CAT 6 connectés au réseau local</li> <li>• Une à quatre connexions par câble à fibre optique vers chaque commutateur Fibre Channel. Par exemple, pour une configuration comprenant 4 ports :               <ul style="list-style-type: none"> <li>– Un câble à fibre optique reliant le port 0 du processeur de stockage PS-A au commutateur Fibre Channel 0</li> <li>– Un câble à fibre optique reliant le port 1 du processeur de stockage PS-A au commutateur Fibre Channel 1</li> <li>– Un câble à fibre optique reliant le port 0 du processeur de stockage PS-B au commutateur Fibre Channel 1</li> <li>– Un câble à fibre optique reliant le port 1 du processeur de stockage PS-B au commutateur Fibre Channel 0</li> </ul> </li> </ul> |
| Commutateur Fibre Channel Dell/EMC         | <ul style="list-style-type: none"> <li>• Une à quatre connexions par câble à fibre optique vers le système de stockage Fibre Channel Dell/EMC</li> <li>• Une connexion par câble à fibre optique vers l'adaptateur HBA de chaque système PowerEdge</li> </ul>                                                                                                                                                                                                                                                                                                                                                                                                                                                                                                                                                  |
| Commutateur Ethernet Gigabit               | <ul style="list-style-type: none"> <li>• Une connexion CAT 5e ou CAT 6 vers la carte du réseau Gigabit privé de chaque système PowerEdge</li> <li>• Une connexion CAT 5e ou CAT 6 vers le commutateur Ethernet Gigabit restant</li> </ul>                                                                                                                                                                                                                                                                                                                                                                                                                                                                                                                                                                      |

## Câblage du système de stockage Fibre Channel

Selon vos besoins, vous pouvez configurer le système de stockage du cluster Fibre Channel de votre base de données Oracle de différentes façons :

- Environnement Fibre Channel à connexion directe (voir la figure 3-2)
- Environnement Fibre Channel relié à un SAN et comprenant quatre ports (voir la figure 3-3)

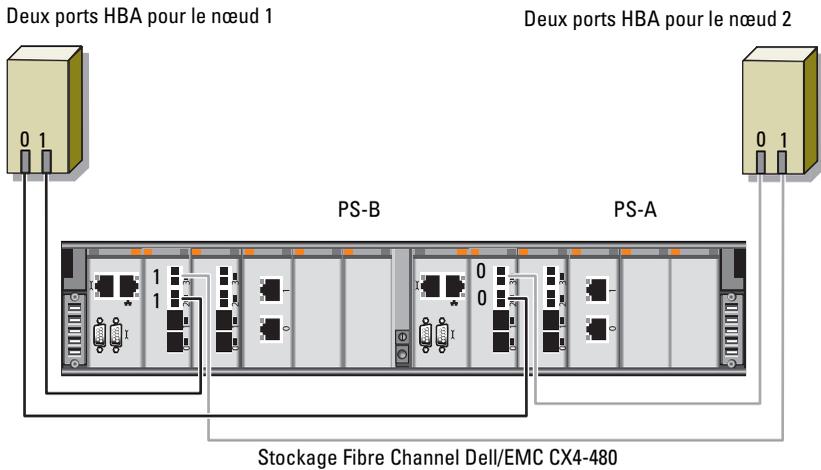
### Configuration Fibre Channel à connexion directe

Pour effectuer une configuration Fibre Channel à connexion directe des nœuds :

- 1 Installez un câble à fibre optique entre l'adaptateur HBA 0 du nœud 1 et le port 0 du processeur de stockage PS-A.
- 2 Installez un câble à fibre optique entre l'adaptateur HBA 1 du nœud 1 et le port 0 du processeur de stockage PS-B.
- 3 Installez un câble à fibre optique entre l'adaptateur HBA 0 du nœud 2 et le port 1 du processeur de stockage PS-A.
- 4 Installez un câble à fibre optique entre l'adaptateur HBA 1 du nœud 2 et le port 1 du processeur de stockage PS-B.

La figure 3-2 présente le câblage d'un cluster Fibre Channel à connexion directe.

**Figure 3-2. Câblage d'un cluster Fibre Channel à connexion directe**



### **Configuration Fibre Channel à connexion SAN**

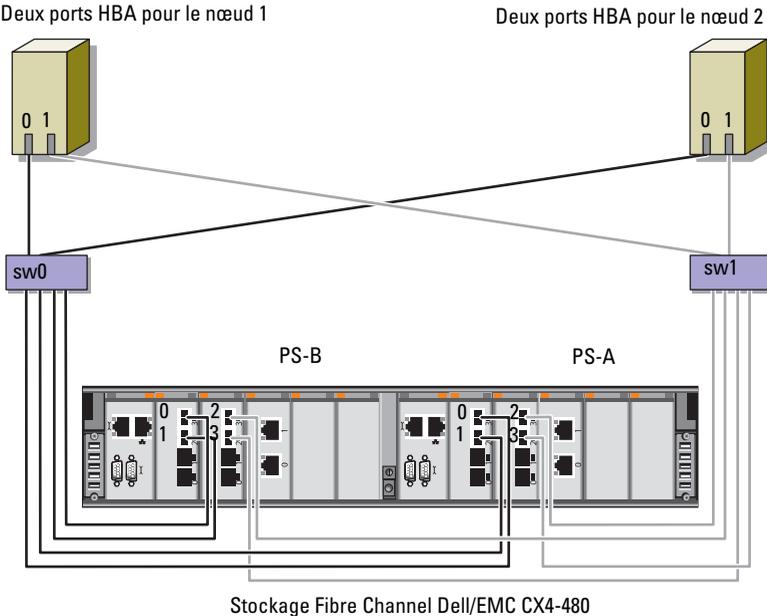
Pour effectuer une configuration à connexion SAN à quatre ports pour vos nœuds :

- 1** Installez un câble à fibre optique entre le port 0 du processeur de stockage PS-A et le commutateur Fibre Channel 0.
- 2** Installez un câble à fibre optique entre le port 1 du processeur de stockage PS-A et le commutateur Fibre Channel 1.
- 3** Installez un câble à fibre optique entre le port 2 du processeur de stockage PS-A et le commutateur Fibre Channel 0.
- 4** Installez un câble à fibre optique entre le port 3 du processeur de stockage PS-A et le commutateur Fibre Channel 1.
- 5** Installez un câble à fibre optique entre le port 0 du processeur de stockage PS-B et le commutateur Fibre Channel 1.
- 6** Installez un câble à fibre optique entre le port 1 du processeur de stockage PS-B et le commutateur Fibre Channel 0.
- 7** Installez un câble à fibre optique entre le port 2 du processeur de stockage PS-B et le commutateur Fibre Channel 1.

- 8 Installez un câble à fibre optique entre le port 3 du processeur de stockage PS-B et le commutateur Fibre Channel 0.
- 9 Installez un câble à fibre optique entre l'adaptateur HBA 0 du nœud 1 et le commutateur Fibre Channel 0.
- 10 Installez un câble à fibre optique entre l'adaptateur HBA 1 du nœud 1 et le commutateur Fibre Channel 1.
- 11 Installez un câble à fibre optique entre l'adaptateur HBA 0 du nœud 2 et le commutateur Fibre Channel 0.
- 12 Installez un câble à fibre optique entre l'adaptateur HBA 1 du nœud 2 et le commutateur Fibre Channel 1.

La figure 3-3 présente le câblage d'un cluster Fibre Channel à connexion SAN.

**Figure 3-3. Câblage d'un cluster Fibre Channel à connexion SAN**



# Configuration d'un cluster SAS pour les châssis d'extension Dell PowerVault MD3000 et MD1000

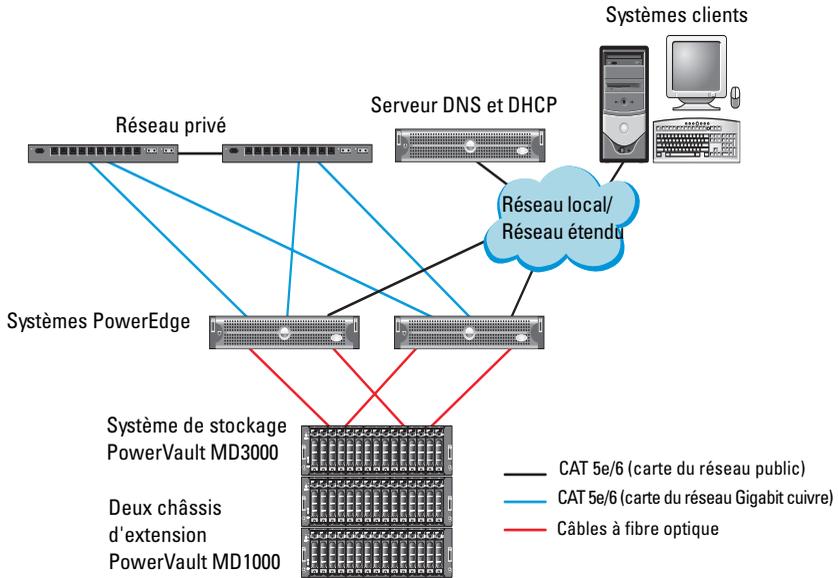
 **AVERTISSEMENT** : Avant d'exécuter les opérations décrites dans cette section, lisez les consignes de sécurité fournies avec votre système. Pour plus d'informations sur les meilleures pratiques en matière de sécurité, voir la page dédiée à la conformité et aux réglementations sur le site Web de Dell™, à l'adresse suivante : [www.dell.com/regulatory\\_compliance](http://www.dell.com/regulatory_compliance).

Pour configurer les systèmes Dell™ PowerEdge™ et les châssis de stockage PowerVault™ MD3000 et MD1000 pour un environnement Oracle® RAC (Real Application Cluster) :

- 1 Vérifiez les configurations matérielles et logicielles de la figure 4-1, du tableau 4-1 et de la figure 4-2.
- 2 Suivez les procédures de la section “Configuration du matériel” à la page 172.

 **PRÉCAUTION** : Avant de mettre à niveau le micrologiciel de la matrice de stockage PowerVault MD3000, sauvegardez les données qu'elle contient.

**Figure 4-1. Câblage du cluster SAS et du châssis de stockage Dell PowerVault MD3000**



**Tableau 4-1. Interconnexions matérielles d'un cluster SAS**

| <b>Composant de cluster</b>                            | <b>Connexions</b>                                                                                                                                                                                                                                                                                                                                                                                                                                                                      |
|--------------------------------------------------------|----------------------------------------------------------------------------------------------------------------------------------------------------------------------------------------------------------------------------------------------------------------------------------------------------------------------------------------------------------------------------------------------------------------------------------------------------------------------------------------|
| Nœud du système PowerEdge                              | <ul style="list-style-type: none"><li>• Un câble CAT 5e/6 reliant la carte du réseau public au réseau local (LAN)</li><li>• Un câble CAT 5e/6 reliant la carte du réseau Gigabit privé au commutateur Ethernet Gigabit (réseau privé)</li><li>• Un câble CAT 5e/6 reliant la carte de réseau Gigabit privé redondant au commutateur Ethernet Gigabit redondant (réseau privé)</li><li>• Deux connexions SAS vers le nœud système PowerVault MD3000 via un contrôleur SAS 5/E</li></ul> |
| Châssis de stockage PowerVault MD3000                  | <ul style="list-style-type: none"><li>• Deux câbles CAT 5e/6 connectés au réseau local (un à partir de chaque processeur de stockage)</li><li>• Deux connexions SAS vers le nœud système PowerVault MD3000 à l'aide de câbles SAS 5/E</li></ul> <p><b>REMARQUE :</b> Pour plus d'informations sur l'interconnexion du châssis de stockage PowerVault MD3000, voir "Configuration du matériel" à la page 172.</p>                                                                       |
| Châssis de stockage Dell PowerVault MD1000 (en option) | Autant de connexions par câbles SAS que nécessaire pour le châssis d'extension PowerVault MD1000                                                                                                                                                                                                                                                                                                                                                                                       |

## Configuration du matériel

Les clusters SAS ne peuvent être installés que dans un environnement à connexion directe ; ils sont limités à deux nœuds.

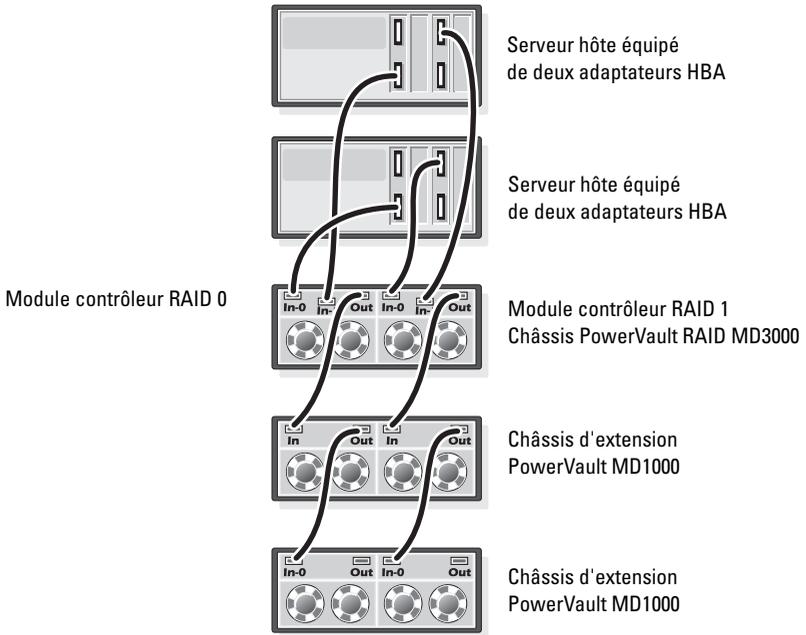
Pour configurer les nœuds dans un environnement à connexion directe :

- 1 Installez un câble SAS entre un port du contrôleur SAS du nœud 1 et le port **In-0** du contrôleur RAID 0 du châssis de stockage PowerVault MD3000.
- 2 Installez un câble SAS entre l'autre port du contrôleur SAS du nœud 1 et le port **In-0** du contrôleur RAID 1 du châssis de stockage PowerVault MD3000.
- 3 Installez un câble SAS entre un port du contrôleur SAS du nœud 2 et le port **In-1** du contrôleur RAID 0 du châssis de stockage PowerVault MD3000.
- 4 Installez un câble SAS entre l'autre port du contrôleur SAS du nœud 2 et le port **In-1** du contrôleur RAID 1 du châssis de stockage PowerVault MD3000.
- 5 Le cas échéant, connectez deux câbles SAS entre les deux ports de sortie du châssis de stockage PowerVault MD3000 et les deux ports d'entrée ("In") du premier châssis d'extension PowerVault MD1000.
- 6 Le cas échéant, connectez deux câbles SAS entre les deux ports de sortie du châssis de stockage PowerVault MD1000 et les ports **In-0** du second châssis d'extension PowerVault MD1000.



**REMARQUE :** Pour des informations supplémentaires sur le châssis de stockage PowerVault MD1000, voir la documentation connexe sur [support.dell.com/manuals](http://support.dell.com/manuals).

**Figure 4-2. Câblage d'un cluster SAS à connexion directe**



## Installation des logiciels de stockage hôtes

Pour installer les logiciels hôtes requis pour le stockage sur un châssis PowerVault MD3000, utilisez le support *Dell PowerVault Resource* livré avec le système. Pour installer le logiciel Modular Disk Storage Manager sur le nœud principal et le logiciel multiacheminement (MPIO) sur les autres nœuds, suivez les procédures décrites dans la documentation du châssis de stockage PowerVault MD3000.

## Vérification et mise à niveau du micrologiciel

- 1 Lancez la détection des unités de stockage à connexion directe du système hôte à l'aide du logiciel MDSM installé sur l'hôte.
- 2 Vérifiez que le micrologiciel utilisé par les composants de stockage répertoriés ci-après respecte la version minimale requise.
  - Micrologiciel des contrôleurs RAID
  - Micrologiciel des systèmes de stockage PowerVault MD3000
  - Micrologiciel des châssis d'extension PowerVault MD1000



**REMARQUE :** Pour connaître les versions minimales requises pour le micrologiciel, cliquez sur le lien **Dell Validated Components** (Composants approuvés par Dell) de la page [dell.com/oracle](http://dell.com/oracle).

## Installation du pilote de l'adaptateur SAS 5/E

Installez le pilote SAS 5/E à l'aide du support *PowerVault MD3000 Resource*.



**REMARQUE :** Vérifiez que la version du pilote SAS 5/E est équivalente ou ultérieure à celle répertoriée dans le document *Solution Deliverable List* (Liste des éléments pris en charge) sur le site web [dell.com/oracle](http://dell.com/oracle). Il existe un document pour chaque composant validé par Dell.

Pour obtenir de l'aide lors de l'installation des pilotes sur les deux nœuds du cluster, voir la documentation fournie avec le châssis de stockage PowerVault MD3000 et les adaptateurs HBA SAS.

## Exécution des tâches de post-installation

Une fois les pilotes et les logiciels installés, exécutez les tâches de post-installation décrites dans le document *PowerVault MD3000 - Guide d'installation*.

Créez l'environnement décrit dans le document *Oracle Database sous Enterprise Linux x86\_64 pour systèmes Dell PowerEdge - Guide d'installation du système d'exploitation et du matériel* et dans le *Guide Linux*. Ces deux documents sont disponibles sur [support.dell.com/manuals](http://support.dell.com/manuals).



**REMARQUE :** Il est recommandé de créer une configuration RAID 10 pour les disques affectés aux LUN.

# Configuration d'un cluster iSCSI pour les châssis de stockage Dell™ PowerVault™ MD3000i et MD1000

**⚠ AVERTISSEMENT : Avant d'exécuter les opérations décrites dans cette section, lisez les consignes de sécurité fournies avec votre système. Pour plus d'informations sur les meilleures pratiques en matière de sécurité, voir la page dédiée à la conformité et aux réglementations sur le site Web de Dell™, à l'adresse suivante : [www.dell.com/regulatory\\_compliance](http://www.dell.com/regulatory_compliance).**

La présente section explique comment configurer votre système Dell PowerEdge™ et les châssis de stockage PowerVault MD3000i et MD1000 pour un environnement Oracle® RAC (Real Application Cluster).

Vérifiez les connexions matérielles ainsi que les configurations logicielles et matérielles dans la section relative aux configurations compatibles du document *Dell PowerVault MD3000i Support Matrix* (Tableau de compatibilité de Dell PowerVault MD3000i), disponible sur [support.dell.com/manuals](http://support.dell.com/manuals).

**Tableau 5-1. Interconnexions de composants matériels iSCSI**

| Composant de cluster      | Connexions                                                                                                                                                                                                                                                                                                                                                                                                                                                                                                       |
|---------------------------|------------------------------------------------------------------------------------------------------------------------------------------------------------------------------------------------------------------------------------------------------------------------------------------------------------------------------------------------------------------------------------------------------------------------------------------------------------------------------------------------------------------|
| Nœud du système PowerEdge | <ul style="list-style-type: none"> <li>• Un câble CAT 5e/6 reliant la carte du réseau public au réseau local (LAN)</li> <li>• Un câble CAT 5e/6 reliant la carte du réseau Gigabit privé au commutateur Ethernet Gigabit (réseau privé)</li> <li>• Un câble CAT 5e/6 reliant la carte de réseau Gigabit privé redondant au commutateur Ethernet Gigabit redondant (réseau privé)</li> <li>• Un câble CAT 5e/6 reliant la carte du réseau Gigabit iSCSI au commutateur Ethernet Gigabit (réseau iSCSI)</li> </ul> |

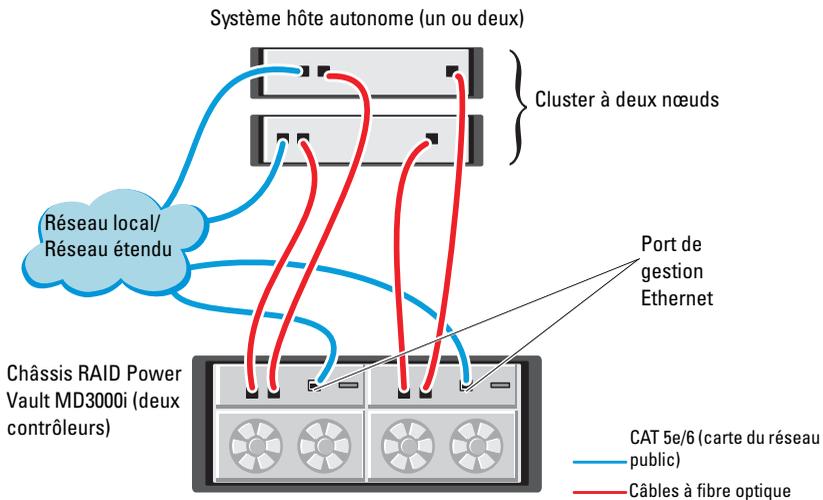
**Tableau 5-1. Interconnexions de composants matériels iSCSI (suite)**

| Composant de cluster                                   | Connexions                                                                                                                                                                                                                                                                                                                                                                                                                                                                                   |
|--------------------------------------------------------|----------------------------------------------------------------------------------------------------------------------------------------------------------------------------------------------------------------------------------------------------------------------------------------------------------------------------------------------------------------------------------------------------------------------------------------------------------------------------------------------|
| Système de stockage PowerVault MD3000i                 | <ul style="list-style-type: none"> <li>• Deux câbles CAT 5e/6 connectés au réseau local (un à partir de chaque processeur de stockage) pour l'interface de gestion</li> <li>• Deux câbles CAT 5e/6 par processeur de stockage pour l'interconnexion iSCSI</li> </ul> <p><b>REMARQUE :</b> Pour des informations supplémentaires sur le châssis de stockage PowerVault MD3000i, voir la documentation connexe sur <a href="http://support.dell.com/manuals">support.dell.com/manuals</a>.</p> |
| Châssis d'extension Dell PowerVault MD1000 (en option) | Autant de connexions par câbles SAS que nécessaire pour les châssis d'extension MD1000                                                                                                                                                                                                                                                                                                                                                                                                       |

## Configuration du matériel

Les clusters iSCSI à connexion directe sont limités à deux nœuds.

**Figure 5-1. Câblage de clusters iSCSI à connexion directe**



Pour créer une configuration à connexion directe pour les nœuds du cluster (voir la figure 5-1), procédez comme suit :

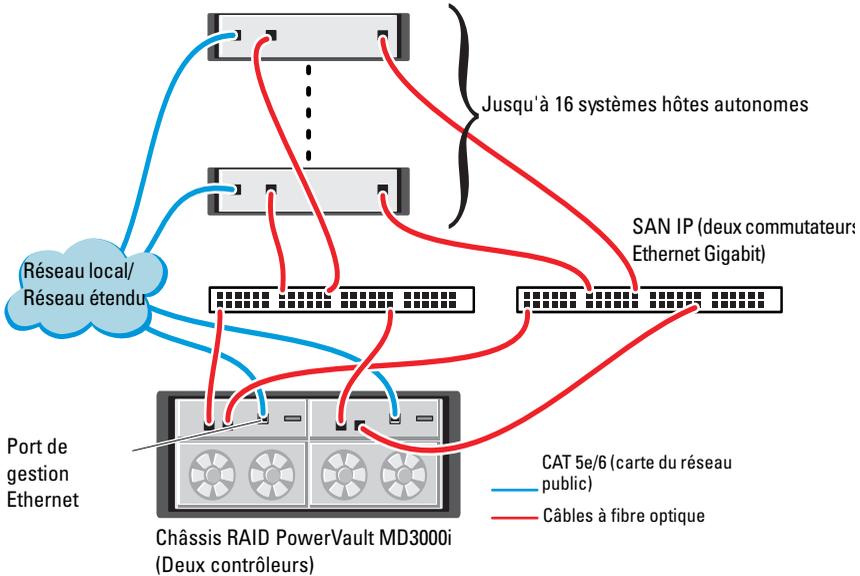
- 1** Installez un câble CAT 5e/6 entre un port (adaptateur HBA iSCSI ou carte réseau) du nœud 1 et le port **In-0** du contrôleur RAID 0 du châssis de stockage PowerVault MD3000i.
- 2** Installez un câble CAT 5e/6 entre l'autre port (adaptateur HBA iSCSI ou carte réseau) du nœud 1 et le port **In-0** du contrôleur RAID 1 du châssis de stockage PowerVault MD3000i.
- 3** Installez un câble CAT 5e/6 entre un port (adaptateur HBA iSCSI ou carte réseau) du nœud 2 et le port **In-1** du contrôleur RAID 0 du châssis de stockage Dell PowerVault MD3000i.
- 4** Installez un câble CAT 5e/6 entre l'autre port (adaptateur HBA iSCSI ou carte réseau) du nœud 2 et le port **In-1** du contrôleur RAID 1 du châssis de stockage PowerVault MD3000i.
- 5** Le cas échéant, connectez deux câbles SAS entre les deux ports de sortie du châssis de stockage PowerVault MD3000 et les deux ports d'entrée ("In") du premier châssis d'extension PowerVault MD1000.
- 6** Le cas échéant, connectez deux câbles SAS entre les deux ports de sortie du châssis de stockage PowerVault MD1000 et les ports **In-0** du second châssis d'extension MD1000.



**REMARQUE :** Pour des informations supplémentaires sur le châssis de stockage PowerVault MD1000, voir la documentation du système de stockage PowerVault MD3000i sur [support.dell.com/manuals](http://support.dell.com/manuals).

Les clusters iSCSI avec liaison par commutateur peuvent prendre en charge jusqu'à huit nœuds.

**Figure 5-2. Câblage des clusters iSCSI avec liaison par commutateur**



Pour créer une configuration avec liaison par commutateur pour les nœuds du cluster (voir la figure 5-2), procédez comme suit :

- 1 Installez un câble CAT 5e/6 entre un port (adaptateur HBA iSCSI ou carte réseau) du nœud 1 et le port du commutateur réseau 1.
- 2 Installez un câble CAT 5e/6 entre un port (adaptateur HBA iSCSI ou carte réseau) du nœud 1 et le port du commutateur réseau 2.
- 3 Installez un câble CAT 5e/6 entre un port (adaptateur HBA iSCSI ou carte réseau) du nœud 2 et le port du commutateur réseau 1.
- 4 Installez un câble CAT 5e/6 entre un port (adaptateur HBA iSCSI ou carte réseau) du nœud 2 et le port du commutateur réseau 2.
- 5 Installez un câble CAT 5e/6 entre un port du commutateur 1 et le port **In-0** du contrôleur RAID 0 du châssis de stockage PowerVault MD3000i.
- 6 Installez un câble CAT 5e/6 entre l'autre port du commutateur 1 et le port **In-0** du contrôleur RAID 1 du châssis de stockage PowerVault MD3000i.

- 7 Installez un câble CAT 5e/6 entre un port du commutateur 2 et le port **In-1** du contrôleur RAID 0 du châssis de stockage PowerVault MD3000i.
- 8 Installez un câble CAT 5e/6 entre l'autre port du commutateur 2 et le port **In-1** du contrôleur RAID 1 du châssis de stockage PowerVault MD3000i.
- 9 Le cas échéant, connectez deux câbles SAS entre les deux ports de sortie du châssis de stockage PowerVault MD3000i et les deux ports d'entrée ("In") du premier châssis d'extension PowerVault MD1000.
- 10 Le cas échéant, connectez deux câbles SAS entre les deux ports de sortie du châssis de stockage PowerVault MD3000 et les ports **In-0** du second châssis d'extension PowerVault MD1000.



**REMARQUE :** Pour des informations supplémentaires sur le châssis de stockage PowerVault MD1000, voir la documentation du système de stockage PowerVault MD3000i sur [support.dell.com/manuals](http://support.dell.com/manuals). Il est recommandé d'utiliser un réseau distinct pour l'infrastructure de stockage iSCSI. Si ce n'est pas possible, attribuez la fonction de stockage à un VLAN (réseau local virtuel) distinct. Ainsi, des réseaux logiques indépendants sont créés au sein d'un réseau physique.

## Installation des logiciels hôtes requis pour le stockage

Pour installer les logiciels hôtes requis pour le système de stockage PowerVault MD3000i, utilisez le support *Dell PowerVault Resource* qui l'accompagne. Pour installer le logiciel Modular Disk Storage Manager sur le nœud principal et le logiciel multiacheminement (MPIO) sur les autres nœuds, suivez les procédures décrites dans la documentation du châssis de stockage PowerVault MD3000i, disponible sur [support.dell.com/manuals](http://support.dell.com/manuals).

## Vérification et mise à niveau du micrologiciel

- 1 Lancez la détection des unités de stockage à connexion directe du système hôte à l'aide du logiciel Modular Disk Storage Manager installé sur l'hôte.
- 2 Vérifiez que le micrologiciel utilisé par les composants de stockage répertoriés ci-après correspond à la version minimale requise.
  - Micrologiciel des systèmes de stockage MD3000i
  - Micrologiciel des châssis d'extension MD1000



**REMARQUE :** Pour connaître les versions minimales requises pour le micrologiciel, cliquez sur le lien **Dell Validated Components** (Composants approuvés par Dell) de la page [dell.com/oracle](http://dell.com/oracle).

## Tâches de post-installation

Une fois les pilotes et les logiciels installés, exécutez les tâches de post-installation décrites dans le document *PowerVault MD3000i - Guide d'installation*, disponible sur [support.dell.com](http://support.dell.com), afin de créer l'environnement décrit dans le tableau 5-1 à la page 175.

# Configuration d'un cluster iSCSI pour le système de stockage Dell EqualLogic série PS

 **AVERTISSEMENT** : Avant d'exécuter les opérations décrites dans cette section, lisez les consignes de sécurité fournies avec votre système. Pour plus d'informations sur les meilleures pratiques en matière de sécurité, voir la page dédiée à la conformité et aux réglementations sur le site Web de Dell™, à l'adresse suivante : [www.dell.com/regulatory\\_compliance](http://www.dell.com/regulatory_compliance).

## Terminologie EqualLogic

La matrice de stockage EqualLogic™ série PS inclut une technologie de virtualisation du stockage. Pour mieux en comprendre le mode de fonctionnement, il est bon de connaître certains termes utilisés pour décrire ces matrices et leurs fonctions :

- **Membre** : désigne une matrice série PS unique
- **Groupe** : désigne un ensemble composé d'un ou de plusieurs membres, dont la gestion peut être centralisée ; les systèmes hôtes accèdent aux données via une adresse IP de groupe unique
- **Pool** : désigne une matrice RAID qui peut être constituée de disques appartenant à un ou plusieurs membres
- **Volume** : désigne un LUN ou disque virtuel constituant un sous-ensemble de la capacité d'un pool

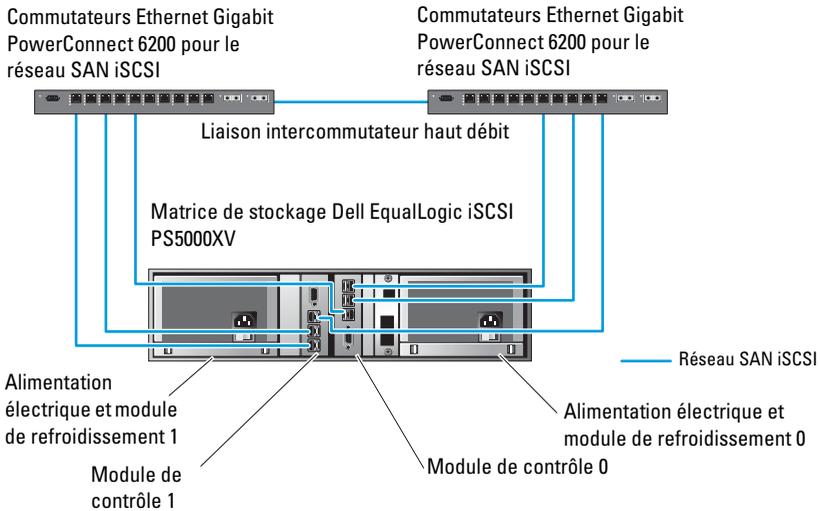
# Configuration du système de stockage iSCSI EqualLogic

Les systèmes hôtes peuvent être connectés à la matrice iSCSI EqualLogic PS5000XV via un réseau de stockage SAN IP et un commutateur Ethernet Gigabit standard. La figure 6-1 présente la configuration réseau recommandée pour une matrice Dell EqualLogic PS5000XV à double module de contrôle. Cette configuration inclut deux commutateurs Ethernet Gigabit Dell PowerConnect™ série 6200, destinés à optimiser la disponibilité et la bande passante du réseau.



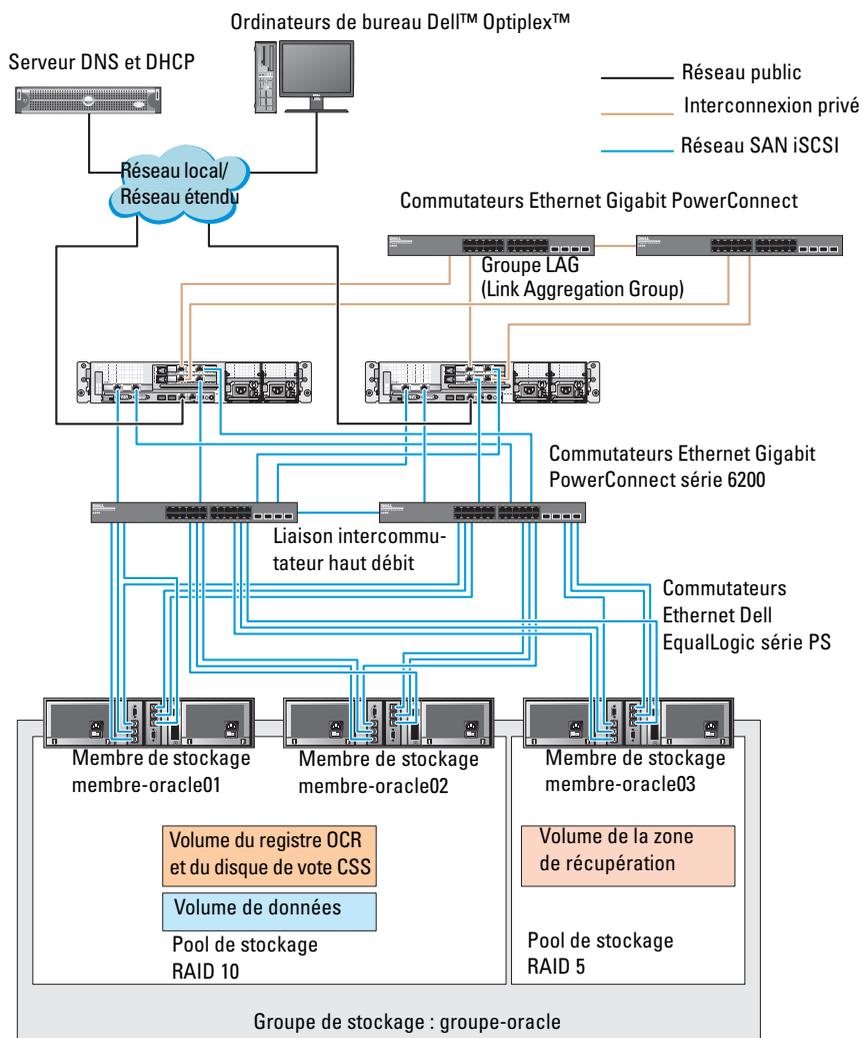
**REMARQUE :** Il est recommandé d'utiliser deux commutateurs Ethernet Gigabit. En effet, en cas de défaillance au sein d'un environnement à commutateur Ethernet unique, aucun hôte ne pourra accéder au stockage avant le remplacement du périphérique défaillant et la restauration de la configuration. Ce type de configuration doit comporter plusieurs ports à agrégation de liaisons assurant la connexion intercommutateur (ou faisceau). Par ailleurs, il est recommandé de connecter, à partir de chaque module de contrôle, une interface Gigabit à l'un des commutateurs Ethernet et les deux autres interfaces Gigabit à l'autre commutateur Ethernet.

**Figure 6-1. Configuration réseau recommandée**



La figure 6-2 présente l'architecture d'une configuration Oracle<sup>®</sup> RAC (Real Application Cluster) fictive à trois matrices Dell EqualLogic PS5000XV. Les matrices de stockage Dell EqualLogic PS5000XV fournissent la capacité de stockage physique allouée à la base de données RAC. Le groupe `groupe_oracle` est formé de trois membres Dell EqualLogic PS5000XV : `membre-oracle01`, `membre-oracle02` et `membre-oracle03`. Lorsqu'un membre est initialisé, il peut être configuré avec un niveau RAID 10, 5 ou 50.

**Figure 6-2. Configuration d'un cluster Oracle® RAC fictif à trois matrices PS5000XV**



**REMARQUE :** Pour plus d'informations sur l'initialisation d'une matrice EqualLogic, voir le *Guide d'utilisation de Dell EqualLogic* sur [support.dell.com/manuals](http://support.dell.com/manuals).

Un groupe de stockage Dell EqualLogic série PS peut être divisé en plusieurs niveaux ou pools. Le stockage à plusieurs niveaux offre aux administrateurs la possibilité de mieux contrôler l'allocation des ressources de disque. Un membre ne peut être attribué qu'à un seul pool à la fois. On peut facilement affecter un membre à un pool ou le déplacer d'un pool à un autre sans aucune incidence sur la disponibilité des données. Les pools peuvent être organisés en fonction de différents critères (types ou vitesses de disque, niveaux RAID, types d'application).

La figure 6-2 présente des pools organisés par niveaux RAID des membres :

- Un pool RAID 10 se compose des membres de niveau RAID10.
- Un pool RAID 5 se compose des membres de niveau RAID 5.

### **Création des volumes**

Pour pouvoir stocker des données, vous devez au préalable configurer les disques de la matrice de stockage Dell EqualLogic PS5000XV en composants utilisables, appelés volumes. Un volume est une partie du pool de stockage, dotée d'une taille spécifique, de contrôles d'accès et d'autres attributs. Il peut être réparti entre plusieurs disques et membres d'un groupe. Un volume est considéré sur le réseau comme une cible iSCSI. Chaque volume est affecté à un pool et peut être facilement déplacé d'un pool à un autre, sans aucune incidence sur la disponibilité des données. En outre, en fonction de la charge de travail totale supportée par les ressources matérielles de stockage d'un pool, le placement des données et l'équilibrage de la charge sont effectués de manière automatique.

Le tableau 6-1 présente un exemple de configuration d'un volume.

**Tableau 6-1. Configuration de volumes pour le cluster Oracle RAC**

| <b>Nombre de volumes</b> | <b>Taille minimale</b>                                             | <b>RAID</b> | <b>Nombre de partitions</b> | <b>Utilisé pour</b>                              | <b>Adressage du système d'exploitation</b>                                   |
|--------------------------|--------------------------------------------------------------------|-------------|-----------------------------|--------------------------------------------------|------------------------------------------------------------------------------|
| Cinq                     | 1024 Mo                                                            | 10          | Une                         | Disque de vote, registre du cluster Oracle (OCR) | Groupe de disques ASM pour le registre du cluster (OCR) et le disque de vote |
| Un                       | Supérieure à la taille de la base de données                       | 10          | Une                         | Données                                          | Groupe de disques ASM GDBDD                                                  |
| Un                       | Au moins deux fois la taille du ou des volumes de la deuxième zone | 5           | Une                         | Zone de récupération flash                       | Groupe de disques ASM GDFLASHBACK                                            |
| Un (facultatif)          | 10 Go                                                              | 10          | Une                         | Accueil de la BD partagée                        | Groupe de disques ASM pour l'accueil de la BD partagée                       |

Créez des volumes dans la matrice Dell EqualLogic PS5000XV et une liste d'accès permettant à toutes les interfaces réseau de l'hôte iSCSI d'accéder à ceux-ci. Par exemple, les volumes suivants ont été créés :

- mdi-ocr
- mdi-datal
- mdi-fral

## Configuration des réseaux iSCSI

Il est recommandé de configurer les interfaces réseau hôtes pour le trafic iSCSI afin d'optimiser les performances à l'aide des paramètres **Flow Control** (Contrôle de flux) et **Jumbo Frame** (Trame Jumbo). Pour configurer le paramètre **Flow Control** (Contrôle de flux), utilisez l'utilitaire `ethtool`.

Pour vérifier le paramètre **Flow Control (RX/TX Pause)** [Contrôle de flux (Pause RX/TX)] sur les interfaces, utilisez la commande suivante : `# ethtool -a <interface>`.

Par exemple :

```
ethtool -a eth2
Pause parameters for eth2:
Autonegotiate: on
RX: on
TX: on
```

Dans cet exemple, le paramètre **Flow Control** (Contrôle de flux) est déjà activé. Si ce n'est pas le cas, activez-le à l'aide de la commande suivante :

```
ethtool -A <interface> rx on tx on
```

Le paramètre **Jumbo Frame** (Trame Jumbo) est configuré dans les scripts `/etc/sysconfig/network-scripts/ifcfg-<interface>`, en ajoutant le paramètre `MTU="<valeur_mtu>"`.

Dans l'exemple ci-dessous la valeur du paramètre **MTU** est **9000**.

```
cat /etc/sysconfig/network-scripts/ifcfg-eth2
DEVICE=eth2
HWADDR=00:15:17:80:43:50
ONBOOT=yes
TYPE=Ethernet
BOOTPROTO=none
IPADDR=10.16.7.125
NETMASK=255.255.255.0
USERCTL=no
MTU=9000
```

Pour vérifier la valeur du paramètre **Jumbo Frame** (Trame Jumbo), utilisez la commande `ifconfig` :

```
$ ifconfig eth2
eth2 Link encap:Ethernet HWaddr
00:15:17:80:43:50
 inet addr:10.16.7.125 Bcast:10.16.7.255
Mask:255.255.255.0
 inet6 addr: fe80::215:17ff:fe80:4350/64
Scope:Link
 UP BROADCAST RUNNING MULTICAST MTU:9000
Metric:1
 RX packets:3348411 errors:0 dropped:0
overruns:0 frame:0
 TX packets:2703578 errors:0 dropped:0
overruns:0 carrier:0
 collisions:0 txqueuelen:1000
 RX bytes:10647052076 (9.9 GiB) TX
bytes:11209177325 (10.4 GiB)
 Memory:d5ee0000-d5f00000
```

## Définition des paramètres d'accès des systèmes hôtes aux volumes

Cette section fournit des informations sur la configuration de l'accès de l'hôte aux volumes iSCSI à l'aide de l'outil `iscsiadm`, qui est l'utilitaire d'administration open-iSCSI.

- 1 Connectez-vous au système en tant que **root**. Vérifiez que le logiciel de l'initiateur open-iSCSI a été installé sur les systèmes hôtes.  
`rpm -qa|grep -i iscsi-initiator`  
Si le logiciel RPM de l'initiateur open-iSCSI est installé, la sortie suivante s'affiche :  
`iscsi-initiator-utils-6.2.0.868-0.7.el5`  
Si cette sortie ne s'affiche pas, vous devez installer le logiciel RPM de l'initiateur open-iSCSI.
- 2 Démarrez le service iSCSI.  
`service iscsi start`

- 3** Activez le lancement du service iSCSI au démarrage.

```
hkconfig --add iscsi
chkconfig iscsi on
chkconfig --list iscsi
```

- 4** Procurez-vous l'adresse matérielle de chaque interface réseau de l'hôte utilisé pour le trafic iSCSI.

```
grep -i hwaddr /etc/sysconfig/network-
scripts/ifcfg-ethn,
```

où **n** est le numéro de l'interface réseau.

- 5** Créez une interface pour chaque interface réseau de l'hôte utilisé pour le trafic iSCSI.

```
iscsiadm -m iface -I nom_iface --op=new,
```

où **nom\_iface** est le nom affecté à l'interface.

```
iscsiadm -m iface -I iface_name --op=update -n
iface.hwaddress -v hardware_address
```

où **hardware\_address** est l'adresse matérielle de l'interface obtenue à l'étape 4.

Par exemple, la commande ci-dessous crée une interface nommée **eth0-iface** pour l'interface **eth0**, dont l'adresse matérielle est **00:18:8B:4E:E6:CC**:

```
iscsiadm -m iface -I eth0-iface --op=new
```

La nouvelle interface **eth0-iface** a été ajoutée.

```
iscsiadm -m iface -I eth0-iface --op=update -n
iface.hwaddress -v 00:18:8B:4E:E6:CC
eth0-iface updated
```

- 6** Vérifiez que les interfaces ont été créées et correctement associées :

```
iscsiadm -m iface
```

- 7** Modifiez les informations CHAP du fichier **/etc/iscsi/iscsid.conf** présent sur l'hôte.

```
node.session.auth.username = nom_utilisateur
node.session.auth.password = mot_de_passe
discovery.sendtargets.auth.username =
nom_utilisateur
discovery.sendtargets.auth.password = mot_de_passe
```

où **nom\_utilisateur** et **mot\_de\_passe** sont respectivement le nom d'utilisateur CHAP et le mot de passe CHAP définis dans le système de stockage EqualLogic.

- 8 Redémarrez le service iSCSI pour que la nouvelle configuration prenne effet.

```
service iscsi stop
service iscsi start
```

- 9 Détectez les cibles des **interfaces** créées à l'étape 5.

```
iscsiadm -m discovery -t st -p adresse_ip_groupe -
--interface=nom_iface1 --interface=nom_iface2 --
interface=nom_iface3 --interface=nom_iface4,
```

où, **adresse\_ip\_groupe** est l'adresse IP du groupe de stockage EqualLogic et **nom\_iface1**, **nom\_iface2**, **nom\_iface3**, **nom\_iface4**, etc, les interfaces réseau (définies à l'étape 5) de l'hôte utilisé pour le trafic iSCSI.

Par exemple, la commande ci-dessous détecte quatre volumes à l'adresse IP de groupe **10.16.7.100**, à partir d'un hôte à deux interfaces nommées **eth0-iface** et **eth1-iface**.

```
iscsiadm -m discovery -t st -p 10.16.7.100 --
interface=eth0-iface --interface=eth1-iface
10.16.7.100:3260,1 iqn.2001-05.com.equallogic:
0-8a0906-90ee59d02-e26f999767b4942e-mdi-ocr-css-
spfile
10.16.7.100:3260,1 iqn.2001-05.com.equallogic:
0-8a0906-90ee59d02-e26f999767b4942e-mdi-ocr-css-
spfile
10.16.7.100:3260,1 iqn.2001-05.com.equallogic:
0-8a0906-93ee59d02-674f999767d4942e-mdi-data1
10.16.7.100:3260,1 iqn.2001-05.com.equallogic:
0-8a0906-93ee59d02-674f999767d4942e-mdi-data1
10.16.7.100:3260,1 iqn.2001-05.com.equallogic:
0-8a0906-95ce59d02-2e0f999767f4942e-mdi-data2
10.16.7.100:3260,1 iqn.2001-05.com.equallogic:
0-8a0906-95ce59d02-2e0f999767f4942e-mdi-data2
10.16.7.100:3260,1 iqn.2001-05.com.equallogic:
0-8a0906-97be59d02-d7ef99976814942e-mdi-fra1
10.16.7.100:3260,1 iqn.2001-05.com.equallogic:
0-8a0906-97be59d02-d7ef99976814942e-mdi-fra1
```

- 10** Vérifiez que tous les volumes ont été détectés à partir de l'ensemble des **interfaces** de l'hôte: `iscsiadm -m discovery --print=1`  
Par exemple :

```
iscsiadm -m discovery --print=1
```

```
SENDTARGETS:
```

```
DiscoveryAddress: 10.16.7.100,3260
Target: iqn.2001-05.com.equallogic:0-8a0906-
90ee59d02-e26f999767b4942e-mdi-ocr-css-spfile
Portal: 10.16.7.100:3260,1
Iface Name: eth0-iface
Iface Name: eth1-iface
```

```
Target: iqn.2001-05.com.equallogic:0-8a0906-
93ee59d02-674f999767d4942e-mdi-data1
Portal: 10.16.7.100:3260,1
Iface Name: eth0-iface
Iface Name: eth1-iface
```

```
Target: iqn.2001-05.com.equallogic:0-8a0906-
95ce59d02-2e0f999767f4942e-mdi-data2
Portal: 10.16.7.100:3260,1
Iface Name: eth0-iface
Iface Name: eth1-iface
```

```
Target: iqn.2001-05.com.equallogic:0-8a0906-
97be59d02-d7ef99976814942e-mdi-fra1
Portal: 10.16.7.100:3260,1
Iface Name: eth0-iface
Iface Name: eth1-iface
```

```
iSNS:
```

```
No targets found.
```

```
STATIC:
```

```
No targets found.
```

- 11** Connectez-vous à l'ensemble des cibles (volumes) à partir de chaque interface créée à l'étape 5.

```
iscsiadm -m node -p adresse_ip_groupe --interface
nom_iface --login,
```

où **adresse\_ip\_groupe** est l'adresse IP du groupe de stockage EqualLogic et **nom\_iface** l'interface réseau (définie à l'étape 5) de l'hôte utilisé pour le trafic iSCSI.

Dans l'exemple ci-dessous, l'utilisateur se connecte à trois volumes à partir de chacune des deux **interfaces (eth0-iface et eth1-iface)** d'un hôte.

```
iscsiadm -m node -p 10.16.7.100 --interface
eth0-iface --login
```

```
Logging in to [iface: eth0-iface, target:
iqn.2001-05.com.equallogic:0-8a0906-90ee59d02-
e26f999767b4942e-mdi-ocr-css-spfile, portal:
10.16.7.100,3260]
```

```
Logging in to [iface: eth0-iface, target:
iqn.2001-05.com.equallogic:0-8a0906-95ce59d02-
2e0f999767f4942e-mdi-data2, portal:
10.16.7.100,3260]
```

```
Logging in to [iface: eth0-iface, target:
iqn.2001-05.com.equallogic:0-8a0906-93ee59d02-
674f999767d4942e-mdi-data1, portal:
10.16.7.100,3260]
```

```
Logging in to [iface: eth0-iface, target:
iqn.2001-05.com.equallogic:0-8a0906-97be59d02-
d7ef99976814942e-mdi-fral, portal:
10.16.7.100,3260]
```

```
Login to [iface: eth0-iface, target: iqn.2001-
05.com.equallogic:0-8a0906-90ee59d02-
e26f999767b4942e-mdi-ocr-css-spfile, portal:
10.16.7.100,3260]: successful
```

```
Login to [iface: eth0-iface, target: iqn.2001-
05.com.equallogic:0-8a0906-95ce59d02-
2e0f999767f4942e-mdi-data2, portal:
10.16.7.100,3260]: successful
```

```
Login to [iface: eth0-iface, target: iqn.2001-05.com.equallogic:0-8a0906-93ee59d02-674f999767d4942e-mdi-data1, portal: 10.16.7.100,3260]: successful
```

```
Login to [iface: eth0-iface, target: iqn.2001-05.com.equallogic:0-8a0906-97be59d02-d7ef99976814942e-mdi-fral, portal: 10.16.7.100,3260]: successful
```

```
iscsiadm -m node -p 10.16.7.100 --interface eth1-iface --login
```

```
Logging in to [iface: eth1-iface, target: iqn.2001-05.com.equallogic:0-8a0906-90ee59d02-e26f999767b4942e-mdi-ocr-css-spfile, portal: 10.16.7.100,3260]
```

```
Logging in to [iface: eth1-iface, target: iqn.2001-05.com.equallogic:0-8a0906-95ce59d02-2e0f999767f4942e-mdi-data2, portal: 10.16.7.100,3260]
```

```
Logging in to [iface: eth1-iface, target: iqn.2001-05.com.equallogic:0-8a0906-93ee59d02-674f999767d4942e-mdi-data1, portal: 10.16.7.100,3260]
```

```
Logging in to [iface: eth1-iface, target: iqn.2001-05.com.equallogic:0-8a0906-97be59d02-d7ef99976814942e-mdi-fral, portal: 10.16.7.100,3260]
```

```
Login to [iface: eth1-iface, target: iqn.2001-05.com.equallogic:0-8a0906-90ee59d02-e26f999767b4942e-mdi-ocr-css-spfile, portal: 10.16.7.100,3260]: successful
```

```
Login to [iface: eth1-iface, target: iqn.2001-05.com.equallogic:0-8a0906-95ce59d02-2e0f999767f4942e-mdi-data2, portal: 10.16.7.100,3260]: successful
```

```
Login to [iface: eth1-iface, target: iqn.2001-05.com.equallogic:0-8a0906-93ee59d02-674f999767d4942e-mdi-data1, portal: 10.16.7.100,3260]: successful
```

```
Login to [iface: eth1-iface, target: iqn.2001-05.com.equallogic:0-8a0906-97be59d02-d7ef99976814942e-mdi-fral, portal: 10.16.7.100,3260]: successful
```

- 12 Affichez et vérifiez toutes les connexions et sessions actives :  
`iscsiadm -m session -i`
- 13 Vérifiez que les partitions sont visibles dans le système d'exploitation :  
`cat /proc/partitions`
- 14 Répétez l'étape 1 à l'étape 13 pour tous les autres hôtes du cluster.

### Configuration de Device Mapper Multipath sur les volumes

- 1 Exécutez la commande `/sbin/scsi_id` sur les périphériques créés pour Oracle afin d'obtenir leur identifiant unique :

```
/sbin/scsi_id -gus /block/<périphérique>
```

Par exemple :

```
scsi_id -gus /block/sda
```

- 2 Supprimez les commentaires de la section suivante du fichier `/etc/multipath.conf`.

```
blacklist {
 wwid 26353900f02796769
 devnode "^(ram|raw|loop|fd|md|dm-|sr|scd|st)[0-9]*"
 devnode "^(hd[a-z]"
}
```

- 3** Supprimez les commentaires de la section suivante du fichier `/etc/multipath.conf`.

```
defaults {
 udev_dir /dev
 polling_interval 10
 selector "round-robin 0"
 path_grouping_policy multibus
 getuid_callout "/sbin/scsi_id -g -u -s
/block/%n"
 prio_callout /bin/true
 path_checker readsector0
 rr_min_io 100
 max_fds 8192
 rr_weight priorities
 failback immediate
 no_path_retry fail
 user_friendly_names yes
}
```

- 4** Ajoutez la section ci-dessous au fichier `/etc/multipath.conf`. Le **WWID** est obtenu à partir de l'étape 1. Vérifiez que les alias concordent sur tous les hôtes du cluster.

```
multipaths {
 multipath {
 wwid WWID_of_volume1
 alias alias_of_volume1
 }
 multipath {
 wwid WWID_of_volume2
 alias alias_of_volume2
 }
}
```

(Ajoutez une sous-section multiacheminement pour chaque volume supplémentaire.)

```
}
```

L'exemple ci-dessous inclut les configurations de quatre volumes.

```
multipaths {
 multipath {
 wwid 36090a028d059ee902e94b4
6797996fe2
 alias ocr-css-spfile
 }
 multipath {
 wwid 36090a028d059ee902e94b4
6797996fe2
 alias data1
 }
 multipath {
 wwid 36090a028d059ce952e94f4
6797990f2e
 alias data2
 }
 multipath {
 wwid 36090a028d059be972e9414
689799efd7
 alias fra1
 }
}
```

- 5 Redémarrez le démon du multiacheminement, puis vérifiez que les alias s'affichent dans la sortie **multipath -ll**.

```
service multipathd restart
multipath -ll
```

Par exemple,

```
fra1 (36090a028d059be972e9414689799efd7) dm-13
EQLOGIC,100E-00
[size=5.0G][features=1
queue_if_no_path][hw_handler=0]
_ round-robin 0 [prio=0][enabled]
_ 96:0:0:0 sds 65:32 [active][ready]
_ 92:0:0:0 sdab 65:176 [active][ready]

ocr-css-spfile
(36090a028d059ee902e94b46797996fe2) dm-11
EQLOGIC,100E-00
[size=2.0G][features=1
queue_if_no_path][hw_handler=0]
_ round-robin 0 [prio=0][enabled]
_ 93:0:0:0 sdf 8:80 [active][ready]
_ round-robin 0 [prio=0][enabled]
_ 86:0:0:0 sdad 65:208 [active][ready]

data2 (36090a028d059ce952e94f46797990f2e) dm-8
EQLOGIC,100E-00
[size=20G][features=1
queue_if_no_path][hw_handler=0]
_ round-robin 0 [prio=0][enabled]
_ 97:0:0:0 sdc 8:32 [active][ready]
_ 98:0:0:0 sdd 8:48 [active][ready]

data1 (36090a028d059ee932e94d46797994f67) dm-18
EQLOGIC,100E-00
[size=20G][features=1
queue_if_no_path][hw_handler=0]
_ round-robin 0 [prio=0][enabled]
_ 95:0:0:0 sdq 65:0 [active][ready]
_ 89:0:0:0 sdac 65:192 [active][ready]
```

- 6 Vérifiez que les périphériques `/dev/mapper/*` ont été créés. Vous devez utiliser leurs noms pour communiquer avec les périphériques multiacheminement dans les sections suivantes.

Par exemple,

```
ls -lt /dev/mapper/*
crw----- 1 root root 10, 63 Dec 15 11:22
/dev/mapper/control
brw-rw---- 1 root disk 253, 18 Dec 15 11:51
/dev/mapper/data1
brw-rw---- 1 root disk 253, 8 Dec 15 13:47
/dev/mapper/data2
brw-rw---- 1 root disk 253, 13 Dec 15 11:51
/dev/mapper/fral
brw-rw---- 1 root disk 253, 11 Dec 15 11:51
/dev/mapper/ocr-css-spfile
brw-rw---- 1 root disk 253, 6 Dec 15 11:22
/dev/mapper/osvg-crs
brw-rw---- 1 root disk 253, 3 Dec 15 11:22
/dev/mapper/osvg-home
brw-rw---- 1 root disk 253, 4 Dec 15 11:22
/dev/mapper/osvg-opt
brw-rw---- 1 root disk 253, 0 Dec 15 11:22
/dev/mapper/osvg-root
brw-rw---- 1 root disk 253, 7 Dec 15 11:22
/dev/mapper/osvg-swap
brw-rw---- 1 root disk 253, 1 Dec 15 11:22
/dev/mapper/osvg-tmp
brw-rw---- 1 root disk 253, 2 Dec 15 11:22
/dev/mapper/osvg-usr
brw-rw---- 1 root disk 253, 5 Dec 15 11:22
/dev/mapper/osvg-var
```

- 7 Répétez l'étape 1 à l'étape 7 pour tous les autres systèmes hôtes du cluster.

# Configuration du stockage de la base de données sur l'hôte

 **AVERTISSEMENT** : Avant d'exécuter les opérations décrites dans cette section, lisez les consignes de sécurité fournies avec votre système. Pour plus d'informations sur les meilleures pratiques en matière de sécurité, consultez la page dédiée à la conformité et aux réglementations à l'adresse suivante : [www.dell.com/regulatory\\_compliance](http://www.dell.com/regulatory_compliance).

La configuration d'une base de données sous Oracle® RAC (Real Application Clusters) est complexe et implique une série de procédures à effectuer dans un ordre précis. Les sections suivantes expliquent comment vérifier, régler et configurer les disques de stockage pour le système de stockage Fibre Channel SAS à connexion directe ou iSCSI sur un hôte.

## Vérification et identification des disques de stockage

Lors de la configuration des clusters, créez des partitions sur votre système de stockage Fibre Channel, SAS à connexion directe ou iSCSI. Pour que vous puissiez créer les partitions, tous les nœuds doivent détecter les périphériques de stockage externes.



**REMARQUE** : La procédure décrite dans cette section indique comment déployer la base de données Oracle sur un système de stockage SAS à connexion directe ou Fibre Channel. Dans les procédures suivantes, c'est la nomenclature de stockage Fibre Channel qui est utilisée. Si vous utilisez un système de stockage SAS à connexion directe ou iSCSI (matrice de stockage Dell™ PowerVault™ MD3000, MD3000i ou EqualLogic), voir le tableau 7-1 pour convertir la nomenclature Fibre Channel en nomenclature de stockage SAS à connexion directe ou iSCSI.

**Tableau 7-1. Nomenclature des matrices de stockage Fibre Channel, SAS à connexion directe et EqualLogic**

| Stockage Fibre Channel | SAS à connexion directe ou iSCSI (MD3000/MD3000i) | Volumes de la matrice EqualLogic |
|------------------------|---------------------------------------------------|----------------------------------|
| LUN                    | Disques virtuels                                  | Volumes                          |
| /dev/emcpower(X)       | /dev/sd(X)                                        | /dev/sd(X)                       |
| PowerPath              | Multi-Path (MPIO)                                 | Device Mapper                    |

Pour vérifier que chaque nœud peut détecter chaque unité de stockage LUN ou disque logique, procédez comme suit :

- 1 Pour le système de stockage Fibre Channel Dell/EMC, vérifiez que l'agent EMC® Navisphere® et la version correcte de PowerPath® sont installés sur chaque nœud. Vérifiez que chaque nœud est associé au groupe de stockage adéquat dans le logiciel EMC Navisphere. Pour les instructions, voir la documentation fournie avec le système de stockage Fibre Channel Dell|EMC.

 **REMARQUE :** En cas d'installation du cluster ou de réinstallation du logiciel sur un nœud, vous devez exécuter l'étape 1.

- 2 Vérifiez les connexions des périphériques de stockage et des nœuds au commutateur Fibre Channel (voir la figure 3-1 et le tableau 3-1).
- 3 Vérifiez que vous êtes connecté en tant que **root**.
- 4 Sur *chaque nœud*, tapez :

```
more /proc/partitions
```

Le nœud détecte, puis affiche les LUN ou disques logiques, ainsi que les partitions créées sur ces périphériques externes.

 **REMARQUE :** Les périphériques répertoriés varient en fonction de la configuration du système de stockage.

La liste des LUN ou disques logiques détectés par le nœud s'affiche, ainsi que les partitions créées sur ces périphériques externes. Les périphériques virtuels PowerPath figurent dans la liste sous la forme /dev/emcpowera, /dev/emcpowerb et /dev/emcpowerc.

Pour les configurations SAS à connexion directe ou iSCSI, les disques virtuels apparaissent sous la forme /dev/sdb et /dev/sdc.

**5** Dans le fichier `/proc/partitions`, vérifiez que :

- Tous les périphériques virtuels PowerPath apparaissent dans le fichier avec des noms similaires sur tous les nœuds.  
Exemple : `/dev/emcpowera`, `/dev/emcpowerb` et `/dev/emcpowerc`.
- Pour PowerVault MD3000 ou MD3000i ou la matrice de stockage EqualLogic, tous les disques ou volumes virtuels apparaissent dans le fichier avec des noms de périphérique similaires sur tous les nœuds.  
Exemple : `/dev/sdb`, `/dev/sdc` et `/dev/sdd`
- Les volumes logiques dédiés au stockage externe sont reconnus comme étant des périphériques SCSI ; chaque nœud est configuré avec le même nombre de LUN, de disques virtuels ou de volumes. Par exemple, si le nœud est configuré avec un lecteur SCSI ou un conteneur RAID connecté :

Sur un périphérique de stockage Fibre Channel à trois disques logiques :

- `sda` désigne le conteneur RAID ou le lecteur interne du nœud
- `emcpowera`, `emcpowerb` et `emcpowerc` identifient les LUN (ou les périphériques virtuels PowerPath)

Sur un périphérique de stockage SAS à connexion directe ou iSCSI à trois disques virtuels :

- `sda` désigne le conteneur RAID ou le lecteur interne du nœud
- `sdb`, `sdc` et `sdd` identifient les volumes logiques de stockage externe

**6** Si les périphériques de stockage externes ne s'affichent pas dans le fichier `/proc/partitions`, redémarrez le nœud.

# Définition des partitions de disque pour les systèmes exécutant Linux

 **PRÉCAUTION** : Dans un système exécutant Linux, alignez la table de partition avant l'écriture de données sur le LUN ou le disque virtuel. La carte de partition est réécrite, et toutes les données figurant sur le LUN ou le disque virtuel détruites.

## Exemple : arguments de l'utilitaire fdisk

L'exemple suivant présente les arguments pouvant être utilisés avec **fdisk**. Dans cet exemple, le LUN est adressé avec `/dev/emcpowera` et la taille des éléments de bande du LUN est de 128 blocs.

 **REMARQUE** : Dans cet exemple, le disque `/dev/emcpowera` contient déjà une partition principale `/dev/emcpowera1`. Pour PowerVault MD3000, MD3000i ou la matrice de stockage EqualLogic, les partitions sont créées sur `/dev/sdb1`.

```
fdisk /dev/emcpowera
```

 **REMARQUE** : Créez une partition sur `/dev/emcpowera` avant d'exécuter la procédure ci-dessous.

```
x # expert mode
b # adjust starting block number
1 # choose partition 1
128 # set it to 128 (ceci est la taille de stripe par défaut pour
les systèmes de stockage Fibre Channel Dell/EMC série CX)
w # write the new partition
```

Pour les LUN avec cliché, clone ou image MirrorView, il est recommandé d'utiliser la méthode **fdisk** au lieu de la méthode d'alignement en décalage des LUN. Il est également recommandé de créer une copie SAN des sources et des cibles.

## Utilisation de fdisk pour le paramétrage d'une partition de disque

- 1** À l'invite de commandes, tapez ce qui suit :  
fdisk <Nom de la partition>,  
où <Nom de la partition> est le nom de la partition à paramétrer.  
Par exemple, si le nom de la partition est /dev/emcpowera, tapez :  
fdisk /dev/emcpowera  
Le système affiche le message suivant :  
The number of cylinders for this disk is set  
to 8782.  
There is nothing wrong with that, but this is  
larger than 1024, and could in certain setups  
cause problems with:  
1) software that runs at boot time (e.g., old  
versions of LILO)  
2) booting and partitioning software from other  
OSs  
(e.g., DOS FDISK, OS/2 FDISK)
- 2** À l'invite de commandes, entrez l'argument **fdisk** suivant : x
- 3** À l'invite de commandes, entrez l'argument **fdisk** suivant : b
- 4** Lorsque vous y êtes invité, tapez le numéro de la partition. Par exemple : 1
- 5** Indiquez le nouvel emplacement correspondant au début des données sur la partition : Par exemple : 128
- 6** À l'invite de commandes, entrez l'argument **fdisk** suivant : w  
Le système affiche le message suivant :  
The partition table has been altered!  
Calling ioctl() to re-read partition table.  
Syncing disks.
- 7** Répétez la procédure décrite de l'étape 1 à l'étape 6 pour tous les LUN de données Oracle.

# Configuration du stockage partagé pour le clusterware, la base de données et les fichiers de récupération dans un environnement RAC

Utilisez le pilote de la bibliothèque ORACLEASM pour configurer les disques pour ASM (Automatic Storage Management). Pour configurer les disques ASM :

- 1 Ouvrez une session en tant que **root**.
- 2 Ouvrez une fenêtre de terminal et effectuez les opérations suivantes sur tous les nœuds :
  - a Tapez `service oracleasm configure`.
  - b Tapez les réponses suivantes pour tous les nœuds :  
Default user to own the driver interface [ ]:grid  
Default group to own the driver interface [ ]:asmadmin  
Start Oracle ASM library driver on boot (y/n) [n]:y  
Fix permissions of Oracle ASM disks on boot (y/n) [y]:y
- 3 Exécutez cette étape uniquement si la configuration RAC utilise un système de stockage iSCSI EqualLogic et le pilote Linux Device Mapper Multipath.
  - a Définissez le paramètre `ORACLEASM_SCANORDER` de `/etc/sysconfig/oracleasm` sur `dm`.
  - b Redémarrez le système pour appliquer les modifications.
- 4 Dans le premier nœud de la fenêtre de terminal, tapez les commandes suivantes, puis appuyez sur <Entrée> :  
`service oracleasm createdisk ASM1 /dev/emcpowerb1`  
`service oracleasm createdisk ASM2 /dev/emcpowerc1`
- 5 Répétez l'étape 4 pour chaque disque ASM supplémentaire à créer.

- 6 Vérifiez que les disques ASM sont créés et marqués pour l'utilisation d'ASM. Dans la fenêtre de terminal, entrez la commande suivante, puis appuyez sur <Entrée> :

```
service oracleasm listdisks
```

Les disques créés à l'étape 4 s'affichent. Par exemple :

```
ASM1
```

```
ASM2
```

- 7 Vérifiez que les autres nœuds peuvent accéder aux disques ASM créés à l'étape 4. Sur chaque nœud restant, ouvrez une fenêtre de terminal, tapez la commande suivante, puis appuyez sur <Entrée> :

```
service oracleasm scandisks
```



# Index

## A

- adresse IP
  - adresse IP privée, 147
  - adresse IP publique, 147
  - adresse IP virtuelle, 147
- aide, 144
  - support Dell, 144
  - support Oracle, 145
- alias, 195

## C

- câblage
  - cluster iSCSI, 176
  - stockage Fibre Channel, 166
- câble
  - CAT 5e, 165
  - CAT 6, 165
- carte réseau
  - affectation des ports, 147
- certifications et formations
  - Dell, 144
  - Oracle, 145
- commutateur Ethernet, 165
- commutateur
  - PowerConnect, 182

## D

- Dell/EMC Fibre Channel, 165
- disponibilité optimale, 149
- disque virtuel, 144

## E

- EMC
  - Navisphere, 200
  - PowerPath, 200
- Enterprise Linux, 144

## F

- Fibre Channel
  - configuration à connexion directe, 166
  - configuration à connexion SAN, 167
- Fibre Channel Dell|EMC
  - commutateur, 165
  - stockage, 165

## I

- ifconfig, 148

## **J**

Jumbo Frame, 187

## **L**

liens réseau, 149

logiciel MPIO, 173

LUN (numéro d'unité  
logique), 144

## **M**

Modular Disk Storage  
Manager, 173

MTU, 187

## **P**

paire liée, 148

paramètres réseau, 149

périphérique PowerPath  
fictif, 200

## **S**

SAS

configuration d'un cluster, 169,  
175, 181, 199

service DNS (Domain Naming  
Service), 147

support Resource  
PowerVault MD3000, 174

surveillance des liaisons, 149

## **T**

terme

groupe, 181

membre, 181

pool, 181

volume, 181

## **V**

volumes, 185

Oracle<sup>®</sup> Database auf  
Dell<sup>™</sup> PowerEdge<sup>™</sup>-  
Systemen mit Enterprise  
Linux<sup>®</sup> x86\_64

**Speicher- und  
Netzwerkhandbuch  
Version 1.3**



# Anmerkungen, Vorsichtshinweise und Warnungen



**ANMERKUNG:** Eine ANMERKUNG macht auf wichtige Informationen aufmerksam, mit denen Sie das System besser einsetzen können.



**VORSICHTSHINWEIS:** Durch VORSICHTSHINWEISE werden Sie auf potenzielle Gefahrenquellen hingewiesen, die Hardwareschäden oder Datenverlust zur Folge haben könnten, wenn die Anweisungen nicht befolgt werden.



**WARNUNG:** Durch eine WARNUNG werden Sie auf Gefahrenquellen hingewiesen, die materielle Schäden, Verletzungen oder sogar den Tod von Personen zur Folge haben können.

---

**Irrtümer und technische Änderungen vorbehalten.**

**© 2010 Dell Inc. Alle Rechte vorbehalten.**

Die Vervielfältigung oder Wiedergabe dieser Materialien in jeglicher Weise ohne vorherige schriftliche Genehmigung von Dell Inc. ist strengstens untersagt.

In diesem Text verwendete Marken: *Dell*, das *DELL* Logo, *EqualLogic*, *Optiplex*, *PowerConnect*, *PowerEdge* und *PowerVault* sind Marken von Dell Inc.; *Broadcom* ist eine Marke von Broadcom Corp; *EMC*, *Navisphere* und *PowerPath* sind eingetragene Marken von EMC Corporation; *Intel* ist eine eingetragene Marke von Intel in den USA und anderen Ländern; *Oracle* ist eine eingetragene Marke von Oracle Corporation und/oder ihren Tochtergesellschaften. *Red Hat* und *Red Hat Enterprise Linux* sind eingetragene Marken von Red Hat, Inc. in den USA und anderen Ländern.

Alle anderen in dieser Dokumentation genannten Marken und Handelsbezeichnungen sind Eigentum der entsprechenden Hersteller und Firmen. Dell Inc. erhebt keinen Anspruch auf Markenzeichen und Handelsbezeichnungen mit Ausnahme der eigenen.

# Inhalt

|   |                                                                                         |            |
|---|-----------------------------------------------------------------------------------------|------------|
| 1 | Übersicht . . . . .                                                                     | 215        |
|   | <b>Erforderliche Dokumentation zum Bereitstellen von Dell Oracle Database . . . . .</b> | <b>215</b> |
|   | <b>In diesem Dokument verwendete Terminologie . . . . .</b>                             | <b>216</b> |
|   | <b>Wie Sie Hilfe bekommen . . . . .</b>                                                 | <b>216</b> |
|   | Dell Support. . . . .                                                                   | 216        |
|   | Oracle-Support . . . . .                                                                | 217        |
| 2 | Konfiguration des Netzwerks . . . . .                                                   | 219        |
|   | <b>Konfiguration des öffentlichen Netzwerks . . . . .</b>                               | <b>220</b> |
|   | <b>Konfiguration des privaten Netzwerks mit Bündelung . . . . .</b>                     | <b>221</b> |
|   | <b>Einrichten von Benutzeräquivalenz . . . . .</b>                                      | <b>223</b> |
|   | SSH-Konfiguration . . . . .                                                             | 223        |
|   | <b>Anforderungen für die Auflösung der IP-Adresse und des Namens . . . . .</b>          | <b>224</b> |
|   | Für einen Cluster, der GNS verwendet. . . . .                                           | 224        |
|   | Für einen Cluster, der DNS verwendet. . . . .                                           | 227        |
|   | <b>IPMI-Aktivierung . . . . .</b>                                                       | <b>229</b> |
|   | Voraussetzungen für die Aktivierung von IPMI . . . . .                                  | 229        |
|   | Konfiguration des Open IMPI-Treibers. . . . .                                           | 230        |
|   | Konfiguration des BMC mit IPMItool. . . . .                                             | 231        |

|   |                                                                                               |     |
|---|-----------------------------------------------------------------------------------------------|-----|
| 3 | Einrichten eines Fibre-Channel-Clusters . . . . .                                             | 237 |
|   | <b>Hardwareverbindungen für einen Fibre-Channel-Cluster.</b> . . . . .                        | 238 |
|   | <b>Verkabeln des Fibre-Channel-Speichersystems.</b> . . . . .                                 | 240 |
|   | Direct-Attach-Fibre-Channel-Konfiguration . . . . .                                           | 240 |
|   | SAN-Attach-Fibre-Channel-Konfiguration . . . . .                                              | 241 |
| 4 | Einrichten eines SAS-Clusters für Dell PowerVault MD3000 und MD1000-Erweiterungsgehäuse . . . | 243 |
|   | <b>Einrichten der Hardware.</b> . . . . .                                                     | 245 |
|   | <b>Installation der hostbasierten Speichersoftware</b> . . . . .                              | 247 |
|   | <b>Überprüfung und Upgrade der Firmware</b> . . . . .                                         | 247 |
|   | <b>Installation des SAS 5/E-Adaptertreibers</b> . . . . .                                     | 247 |
|   | <b>Ausführen der nach der Installation erforderlichen Aufgaben.</b> . . . . .                 | 248 |

|   |                                                                                                           |     |
|---|-----------------------------------------------------------------------------------------------------------|-----|
| 5 | Einrichten eines iSCSI-Clusters<br>für Dell™ PowerVault™ MD3000i-<br>und MD1000-Speichergehäuse . . . . . | 249 |
|   | <b>Einrichten der Hardware</b> . . . . .                                                                  | 250 |
|   | <b>Installation der host-basierten Software<br/>für das Speichersystem</b> . . . . .                      | 253 |
|   | <b>Überprüfung und Upgrade der Firmware</b> . . . . .                                                     | 254 |
|   | <b>Maßnahmen nach der Installation</b> . . . . .                                                          | 254 |
| 6 | Einrichten eines iSCSI-Clusters<br>für das Dell EqualLogic<br>PS-Speichersystem . . . . .                 | 255 |
|   | <b>EqualLogic-Terminologie</b> . . . . .                                                                  | 255 |
|   | <b>Einrichten des EqualLogic<br/>iSCSI-Speichersystems</b> . . . . .                                      | 256 |
|   | Erstellen von Volumes . . . . .                                                                           | 259 |
|   | Konfigurieren der iSCSI-Netzwerke . . . . .                                                               | 261 |
|   | Konfigurieren des Hostzugriffs<br>auf Volumes. . . . .                                                    | 262 |

|                                                                                                                                                     |            |
|-----------------------------------------------------------------------------------------------------------------------------------------------------|------------|
| 7 Konfigurieren des Datenbankspeichers<br>auf dem Hostsystem . . . . .                                                                              | 273        |
| <b>Überprüfen und Identifizieren<br/>Ihrer Speicherlaufwerke. . . . .</b>                                                                           | <b>273</b> |
| <b>Anpassen von Datenträgerpartitionen<br/>bei Systemen mit Linux-Betriebssystem. . . . .</b>                                                       | <b>276</b> |
| Beispiel: Parameter<br>des Dienstprogramms fdisk. . . . .                                                                                           | 276        |
| Anpassen einer Datenträgerpartition<br>mit dem Dienstprogramm fdisk . . . . .                                                                       | 277        |
| <b>Konfiguration des gemeinsamen Speichers<br/>für Clusterware, Datenbank und<br/>Wiederherstellungsdateien<br/>in einer RAC-Umgebung . . . . .</b> | <b>278</b> |
| <br>Stichwortverzeichnis . . . . .                                                                                                                  | <br>281    |

# Übersicht

Das Dokument enthält allgemeine Anleitungen zur Konfiguration der Netzwerk- und Speicheranforderungen für den Betrieb der Dell|Oracle-Datenbank auf einem System, das unter dem Betriebssystem Red Hat® Enterprise Linux® oder Oracle® Enterprise Linux läuft. Dieses Dokument gilt für folgende Konfigurationen: Oracle Database 11g R2 unter Red Hat Enterprise Linux oder Oracle Enterprise Linux 5.3 AS x86\_64. Eine Liste der von Ihrem System unterstützten Netzwerk- und Speicherkonfigurationen finden Sie unter [dell.com/oracle](http://dell.com/oracle) (wählen Sie **Dell™ Validated Components**).

## Erforderliche Dokumentation zum Bereitstellen von Dell|Oracle Database



**ANMERKUNG:** Die folgende Dokumentation steht unter [support.dell.com/manuals](http://support.dell.com/manuals) zur Verfügung.

- *Dell PowerEdge Systeme Oracle Database mit Enterprise Linux x86\_64-Installationshandbuch für Betriebssystem und Hardware* – Beschreibung der Mindestanforderungen für Hardware und Softwareversionen, Informationen zur Installation und Konfiguration des Betriebssystems, zur Überprüfung der Hardware- und Softwarekonfigurationen und zum Erhalt von Open-Source-Dateien.
- *Oracle Database auf Dell PowerEdge-Systemen mit Enterprise Linux x86\_64 – Speicher- und Netzwerkhandbuch* – Beschreibung der Installation und Konfiguration der Speicher- und Netzwerklösungen.
- *Oracle Database auf Dell PowerEdge-Systemen mit Enterprise Linux x86\_64 Datenbankeinrichtungs- und -installationshandbuch* – Beschreibung der Installation und Konfiguration der Oracle-Datenbank.
- *Dell PowerEdge-Systeme Oracle Database unter Enterprise Linux x86\_64 – Fehlerbehebungshandbuch* – Beschreibung der Behebung von Fehlern, die während der in den oben genannten Modulen beschriebenen Installationsprozeduren auftreten.



**ANMERKUNG:** Alle Module enthalten Informationen zur technischen Unterstützung von Dell.

## In diesem Dokument verwendete Terminologie

In diesem Dokument werden die Begriffe Logische Gerätenummer (LUN) und *virtuelles Laufwerk* synonym verwendet. Der Begriff LUN wird üblicherweise in Dell | EMC Fibre-Channel-Speichersystemumgebungen verwendet. Der Begriff „virtuelles Laufwerk“ wird in der Regel bei Dell PowerVault™ SAS-Speicherumgebungen (PowerVault MD3000 und PowerVault MD3000i mit Erweiterung PowerVault MD1000) oder Dell EqualLogic iSCSI-Speicherumgebungen verwendet.



**ANMERKUNG:** In diesem Dokument ist mit dem Begriff *Enterprise Linux* sowohl Red Hat Enterprise Linux als auch Oracle Enterprise Linux gemeint, falls nicht anders angegeben.

## Wie Sie Hilfe bekommen

### Dell Support

- Ausführliche Informationen zum Betrieb des Systems erhalten Sie in der zusammen mit den Systemkomponenten gelieferten Dokumentation.
- Verschiedene Whitepaper, von Dell unterstützte Konfigurationen und allgemeine Informationen finden Sie unter [dell.com/oracle](http://dell.com/oracle).
- Technischen Support von Dell für Ihre Hardware und die Betriebssystem-Software sowie die aktuellen Updates für Ihr System finden Sie unter [support.dell.com/manuals](http://support.dell.com/manuals).
- Informationen zur Kontaktaufnahme mit Dell finden Sie im *Dell PowerEdge-Systeme Oracle Database unter Enterprise Linux x86\_64 – Fehlerbehebungshandbuch* unter [support.dell.com/manuals](http://support.dell.com/manuals).
- Unternehmensschulungen und Zertifizierungen sind verfügbar (Dell Enterprise Training and Certification). Nähere Informationen finden Sie unter [dell.com/training](http://dell.com/training). Diese Schulungen werden eventuell nicht an allen Standorten angeboten.
- Informationen zur Installation und Konfiguration von Oracle finden Sie im *Einrichtungs- und Installationshandbuch für Oracle Database auf Oracle Dell PowerEdge-Systemen unter Enterprise Linux x86\_64* auf der Dell Support-Website unter [support.dell.com/manuals](http://support.dell.com/manuals).

## **Oracle-Support**

- Informationen über Schulungen für Oracle-Software und Clusterware-Anwendung sowie Kontaktinformationen von Oracle finden Sie unter **oracle.com** oder in Ihrer Oracle-Dokumentation.
- Technischen Support, Downloads und andere technische Informationen finden Sie unter **metalink.oracle.com**.



# Konfiguration des Netzwerks

In diesem Abschnitt finden Sie Informationen zur Konfiguration des öffentlichen und privaten Clusternetzwerks.



**ANMERKUNG:** Für jeden Knoten in einem Netzwerk wird eine eindeutige öffentliche und private IP-Adresse benötigt. Zusätzlich wird eine weitere öffentliche IP-Adresse benötigt, die als virtuelle IP-Adresse für die Clientverbindungen und als Failover-Verbindung dient. Somit sind für jeden Knoten insgesamt drei IP-Adressen erforderlich. Die virtuelle IP-Adresse muss dem gleichen Subnetz wie die öffentliche IP-Adresse angehören. Alle öffentlichen IP-Adressen einschließlich der virtuellen IP-Adresse müssen über DNS (Domain Naming System) registriert werden und routingfähig sein. Weitere Informationen finden Sie unter „Anforderungen für die Auflösung der IP-Adresse und des Namens“ auf Seite 224.

Konfigurieren Sie die Schnittstellen je nach Anzahl der verfügbaren NIC-Ports wie in Tabelle 2-1 dargestellt.

**Tabelle 2-1. NIC-Port-Zuordnungen**

| NIC-Port | Verfügbare Ports                                                     |
|----------|----------------------------------------------------------------------|
| 1        | Öffentliche IP, virtuelle IP und SCAN-IP (Single Client Access Name) |
| 2        | Private IP (gebunden)                                                |
| 3        | Private IP (gebunden)                                                |

# Konfiguration des öffentlichen Netzwerks

 **ANMERKUNG:** Stellen Sie sicher, dass die öffentliche IP-Adresse gültig und routingfähig ist.

 **ANMERKUNG:** Die beiden gebundenen Netzwerkanschlüsse für ein privates Netzwerk müssen sich an verschiedenen PCI-Bussen befinden. Ein gebundenes Paar kann beispielsweise aus einem auf der Platine integrierten NIC und einer NIC-Erweiterungskarte bestehen.

So konfigurieren Sie das öffentliche Netzwerk auf den *einzelnen Knoten*:

- 1 Melden Sie sich als **root** beim System an.
- 2 Bearbeiten Sie die Netzwerkgerätedatei `/etc/sysconfig/network-scripts/ifcfg-eth#`, wobei `#` die Nummer des Netzwerkgeräts ist:

 **ANMERKUNG:** Achten Sie darauf, dass die *Gateway*-Adresse für die öffentliche Netzwerkschnittstelle konfiguriert ist. Wenn die *Gateway*-Adresse nicht konfiguriert ist, kann die Grid-Installation fehlschlagen.

```
DEVICE=eth0
ONBOOT=yes
IPADDR=<Öffentliche IP-Adresse>
NETMASK=<Subnetzmaske>
BOOTPROTO=static
HWADDR=<MAC-ADRESSE>
SLAVE=no
GATEWAY=<Gateway-Adresse>
```

- 3 Öffnen Sie die Datei `/etc/sysconfig/network` und ersetzen Sie gegebenenfalls `localhost.localdomain` durch den vollständigen Namen des öffentlichen Knotens.  
Der Befehl für Knoten 1 ist beispielsweise:  
`hostname=knoten1.domain.com`
- 4 Geben Sie `service network restart` ein, um den Netzwerkdienst neu zu starten.
- 5 Geben Sie `ifconfig` ein, um zu überprüfen, ob die IP-Adressen richtig eingerichtet wurden.

- 6 Senden Sie von einem LAN-Client, der nicht Teil des Clusters ist, einen Ping-Befehl an jede öffentliche IP-Adresse, um die Netzwerkkonfiguration zu überprüfen.
- 7 Stellen Sie eine Verbindung zu jedem Knoten her, um die Betriebsbereitschaft des öffentlichen Netzwerks zu überprüfen. Geben Sie `ssh <öffentliche IP>` ein, um sich zu vergewissern, dass der Befehl `secure shell (ssh)` funktioniert.

## Konfiguration des privaten Netzwerks mit Bündelung

Bevor Sie den Cluster in Betrieb nehmen, müssen Sie das private Clusternetzwerk konfigurieren, damit die Knoten miteinander kommunizieren können. Dazu müssen Sie die Netzwerkbündelung (Bonding) konfigurieren und jedem Knoten im Cluster eine private IP und einen Hostnamen zuweisen.

So können Sie die Netzwerkbündelung für Broadcom<sup>®</sup>- oder Intel<sup>®</sup>-NICs einrichten und das private Netzwerk an *jedem Knoten* konfigurieren:

- 1 Melden Sie sich als `root` beim System an.
- 2 Ergänzen Sie die Datei `/etc/modprobe.conf` um folgende Zeile:  
`alias bond0 bonding`
- 3 Um die Verfügbarkeit zu erhöhen, öffnen Sie die Datei `/etc/modprobe.conf` und aktivieren Sie die Option für Verbindungsüberwachung (**Link Monitoring**).

Der Standardwert für `miimon` ist `0`. Der Standardwert deaktiviert die Verbindungsüberwachung. Ändern Sie den Wert zunächst auf `100` Millisekunden. Passen Sie den Wert für die Verbindungsüberwachung an, um die Leistung zu verbessern. Geben Sie beispielsweise ein:  
`options bonding miimon=100 mode=6 max_bonds=2`

- 4 Erstellen oder bearbeiten Sie im Verzeichnis `/etc/sysconfig/network-scripts/` die Konfigurationsdatei `ifcfg-bond0`.

Die Datei hat bei Verwendung von Beispielparametern für das Netzwerk folgenden Inhalt:

```
DEVICE=bond0
IPADDR=192.168.0.1
NETMASK=255.255.255.0
NETWORK=192.168.0.0
BROADCAST=192.168.0.255
ONBOOT=yes
BOOTPROTO=none
USERCTL=no
```

Die Einträge für `NETMASK`, `NETWORK` und `BROADCAST` sind optional.

`DEVICE=bondn` ist der für die Bündelung benötigte Name, wobei `n` für die Bündelungsnummer steht. `IPADDR` ist die private IP-Adresse.

Um `bond0` als virtuelles Gerät zu benutzen, müssen Sie festlegen, welche Geräte als Slave eingebunden werden sollen.

- 5 Führen Sie für jedes Gerät, das Mitglied der Bündelung ist, folgende Schritte aus:

- a Bearbeiten Sie im Verzeichnis `/etc/sysconfig/network-scripts/` die Datei `ifcfg-ethn`, sodass sie folgende Zeilen enthält:

```
DEVICE=ethn
HWADDR=<MAC ADDRESS>
ONBOOT=yes
TYPE=Ethernet
USERCTL=no
MASTER=bond0
SLAVE=yes
BOOTPROTO=none
```

- b Geben Sie `service network restart` ein und übergehen Sie alle Warnmeldungen.

- 6 Führen Sie *auf jedem Knoten* den Befehl `ifconfig` aus, um sicherzustellen, dass das private Netzwerk funktioniert. Die private IP-Adresse für den Knoten muss der privaten Schnittstelle `bond0` zugewiesen werden.

- 7 Senden Sie nach dem Einrichten der privaten IP-Adressen Ping-Befehle von einem der Knoten an alle eingerichteten Adressen, um das private Netzwerk zu testen.
- 8 Stellen Sie zu jedem Knoten eine Verbindung her. Überprüfen Sie die Betriebsbereitschaft des privaten Netzwerks und des Secure Shell (ssh), indem Sie Folgendes eingeben:  
`ssh <Private IP>`

## Einrichten von Benutzeräquivalenz

### SSH-Konfiguration

- 1 Melden Sie sich am primären Knoten als `root` an.
- 2 Führen Sie das Skript `sshUserSetup.sh` aus, das Sie im Grid-Unterverzeichnis des `sshsetup`-Ordners finden:

```
sh sshUserSetup.sh -hosts "host1 host2" -user grid
-advanced
```

```
sh sshUserSetup.sh -hosts "host1 host2" -user
oracle -advanced
```

Dabei sind `host1` und `host2` die Namen der Clusterknoten.

Nachdem Sie Schritt 2 abgeschlossen haben, können Sie `ssh` für andere Knoten im Grid konfigurieren und sich als Oracle-Benutzer anmelden. Bei der Anmeldung werden Sie nicht zur Eingabe eines Kennworts aufgefordert.

# Anforderungen für die Auflösung der IP-Adresse und des Namens

## Für einen Cluster, der GNS verwendet

Für das Einrichten eines Oracle 11g R2 RAC mit Oracle Global Naming Server (GNS) gelten die folgenden grundlegenden Anforderungen:

- Mindestens zwei konfigurierte Schnittstellen für jeden Knoten, eine für die private IP-Adresse und eine für die öffentliche IP-Adresse.
- Ein Domain Naming Server (DNS), der im Netzwerk ausgeführt wird, für die Auflösung der virtuellen IP-Adresse des GNS.
- Der DNS-Eintrag zum Einrichten von DNS-Lookups, um die DNS-Auflösung einer Subdomain zum Cluster zu leiten.
- Ein DHCP-Dienst, der im öffentlichen Netzwerk für den Cluster ausgeführt wird.
- Ausreichende Adressen im DHCP, um eine IP-Adresse für die virtuelle IP jedes einzelnen Knotens und drei IP-Adressen für den Cluster, die vom SCAN verwendet werden, bereitzustellen.

Tabelle 2-2 beschreibt die verschiedenen Schnittstellen, IP-Adresseinstellungen und Auflösungen in einem Cluster.

**Tabelle 2-2. IP-Adresseinstellungen in einem Cluster mit GNS**

| Schnittstelle            | Typ      | Lösung             |
|--------------------------|----------|--------------------|
| Öffentlich               | Statisch | /etc/hosts         |
| Privat                   | Statisch | Nicht erforderlich |
| Virtuelle IP des Knotens | DHCP     | GNS                |
| Virtuelle IP des GNS     | Statisch | DNS                |
| Virtuelle IP des SCAN    | DHCP     | GNS                |

## Konfiguration eines DNS-Server

So konfigurieren Sie einen DNS-Server mit GNS:

- 1 Konfiguration der virtuellen IP-Adresse des GNS auf dem DNS-Server – Erstellen Sie auf dem DNS einen Eintrag zur Namensauflösung für die virtuelle IP-Adresse des GNS in der Lookup-Weiterleitungsdatei.

Zum Beispiel: `gns-server IN A 192.0.2.2`

Dabei ist *gns-server* die virtuelle IP-Adresse des GNS, die während der Grid-Installation angegeben wurde. Die Adresse, die Sie angeben, muss routungsfähig sein und sollte im öffentlichen Bereich liegen.

Zum Beispiel: `192.0.2.2`.

- 2 Konfiguration der GNS-Subdomaindelegation – Erstellen Sie auf dem DNS einen Eintrag, um ein DNS-Lookup einzurichten, das die DNS-Auflösung einer GNS-Subdomain an den Cluster leitet. Fügen Sie der DNS-Lookupdatei Folgendes hinzu: `clusterdomain.example.com.`

`NS gns-server.example.com.`

Dabei ist *clusterdomain.example.com* die GNS-Subdomain (während der Grid-Installation angegeben), die Sie delegieren, und *gns-server.clustername.com* löst die virtuelle IP-Adresse des GNS auf.

## Konfiguration eines DNS-Clients

So konfigurieren Sie einen DNS-Client:

- 1 Fügen Sie Hosteinträge innerhalb des `/etc/hosts`-Dateidomainnamens hinzu. Ändern Sie für jeden Knoten die Datei `/etc/hosts` durch Hinzufügen der unten angegebenen Zeilen:

```
127.0.0.1 localhost.localdomain localhost
```

```
<öffentlicher IP-Knoten1> <vollständiger Hostname
von Knoten1> <öffentlicher Hostname von Knoten1>
```

```
<öffentlicher IP-Knoten2> <vollständiger Hostname
von Knoten2> <öffentlicher Hostname von Knoten2>
```

- 2 Bearbeiten Sie für alle Knoten im Cluster die Datei `resolv.conf` so, dass sie Nameservereinträge enthält, die von DNS-Servern aufgelöst werden können.

Bearbeiten Sie die Datei `/etc/resolv.conf` zum Beispiel wie:

```
options attempts: 2
options timeout: 1
search clusterdomain.example.com example.com
nameserver 192.0.2.1
nameserver 192.0.2.2
```

 **ANMERKUNG:** Das gesamte Zeitlimit, das sich aus versuchten Optionen und Optionen mit überschrittenem Zeitlimit zusammensetzt, sollte unter 30 Sekunden liegen.

Dabei ist `192.0.2.1` die gültige DNS-Serveradresse und `192.0.2.2` ist die virtuelle IP-Adresse des GNS in Ihrem Netzwerk und `clusterdomain.example.com` ist die GNS-Subdomain.

- 3 Überprüfen Sie die Reihenfolge der Konfiguration. `/etc/nsswitch.conf` regelt die Lookupreihenfolge der Namensdienste.

In einigen Systemkonfigurationen kann das Network Information System (NIS) Probleme mit der Oracle SCAN-Adressauflösung verursachen. Es empfiehlt sich, den NIS-Eintrag an das Ende der Suchliste zu setzen. Zum Beispiel: `hosts: files dns nis`

## Für einen Cluster, der DNS verwendet

Für das Einrichten eines Oracle 11g R2 RAC mit Oracle DNS (ohne GNS) gelten die folgenden grundlegenden Anforderungen:

- 1 Mindestens zwei konfigurierte Schnittstellen für jeden Knoten, eine für die private IP-Adresse und eine für die öffentliche IP-Adresse.
- 2 Ein SCAN-NAME, der auf dem DNS für die zyklische Auflösung (Round Robin) an drei Adressen (empfohlen) oder mindestens eine Adresse konfiguriert ist. Die SCAN-Adressen müssen sich auf demselben Subnetz wie virtuelle IP-Adressen und öffentliche IP-Adressen befinden



**ANMERKUNG:** Um hohe Verfügbarkeit und Skalierbarkeit zu erzielen, empfiehlt Oracle die SCAN-Konfiguration für die Verwendung der Round-Robin-Auflösung an drei IP-Adressen. Der Name des SCAN darf nicht mit einer Ziffer anfangen. Für eine erfolgreiche Installation muss der SCAN auf mindestens eine Adresse aufgelöst werden.

Tabelle 2-3 beschreibt die verschiedenen Schnittstellen, IP-Adresseinstellungen und Auflösungen in einem Cluster.

**Tabelle 2-3. IP-Adresseinstellungen in einem Cluster mit DNS**

| Schnittstelle            | Typ      | Auflösung           |
|--------------------------|----------|---------------------|
| Öffentlich               | Statisch | /etc/hosts oder DNS |
| Privat                   | Statisch | Nicht erforderlich  |
| Virtuelle IP des Knotens | Statisch | /etc/hosts oder DNS |
| Virtuelle IP des SCAN    | Statisch | DNS                 |

## Konfiguration eines DNS-Servers

So konfigurieren Sie Änderungen an einem DNS-Server für einen Oracle 11g R2-Cluster mit einem DNS (ohne GNS):

- 1 Konfigurieren Sie die SCAN-NAME-Auflösung auf dem DNS-Server. Erstellen Sie auf dem DNS einen Eintrag zur Namensauflösung für die virtuelle IP-Adresse des GNS in der Lookup-Weiterleitungsdatei. Beispiel:

```
scancluster IN A 192.0.2.1
 IN A 192.0.2.2
 IN A 192.0.2.3
```

Dabei ist *scancluster* der SCAN-NAME, der während der Grid-Installation angegeben wurde.



**ANMERKUNG:** Die SCAN-IP-Adresse muss routingfähig sein und im öffentlichen Bereich liegen.

## Konfiguration eines DNS-Clients

So konfigurieren Sie die Änderungen, die an den Clusterknoten für die Namensauflösung erforderlich sind:

- 1 Fügen Sie Hosteinträge innerhalb der Datei */etc/hosts* hinzu. Ändern Sie für jeden Knoten die Zeilen in der Datei */etc/hosts*, indem Sie Folgendes eingeben:

```
127.0.0.1 localhost.localdomain localhost
<öffentlicher IP-Knoten1> <vollständiger
Hostname von Knoten1> <öffentlicher Hostname von
Knoten1>
<öffentlicher IP-Knoten2> <vollständiger
Hostname von Knoten2> <öffentlicher Hostname von
Knoten2>
<virtueller IP-Knoten1> <vollständiger
virtueller Hostname von Knoten1> <virtueller
Hostname von Knoten1>
<virtueller IP-Knoten2> <vollständiger
virtueller Hostname von Knoten2> <virtueller
Hostname von Knoten2>
```

- 2 Sie müssen die Datei `resolv.conf` für die Knoten im Cluster so bearbeiten, dass sie Nameservereinträge enthält, die vom DNS-Server aufgelöst werden können. Geben Sie einen ähnlichen Eintrag wie den folgenden an:

```
/etc/resolv.conf:

search ns1.domainserver.com

nameserver 192.0.2.100
```

Dabei ist `192.0.2.100` eine gültige DNS-Serveradresse in Ihrem Netzwerk und `ns1.domainserver.com` ist der Domainserver in Ihrem Netzwerk.

- 3 Überprüfen Sie die Reihenfolge der Konfiguration. `/etc/nsswitch.conf` regelt die Reihenfolge der Namensdienste. In einigen Konfigurationen kann der NIS Probleme mit der Oracle SCAN-Adressauflösung verursachen. Es empfiehlt sich, den NIS-Eintrag an das Ende der Suchliste zu setzen. Zum Beispiel: `hosts: files dns nis`

## IPMI-Aktivierung

Intelligent Platform Management Interface (IPMI) stellt gemeinsame Schnittstellen für die Hardware und Firmware bereit, die Systemadministratoren zur Überwachung der Systemintegrität und zur Systemverwaltung verwenden können. Mit Oracle 11g R2 kann Oracle Clusterware IPMI integrieren, um die fehlerabhängige Abschaltung einzelner Knoten zu unterstützen und die Clusterintegrität zu gewährleisten.

### Voraussetzungen für die Aktivierung von IPMI

Jeder Clusterknoten benötigt einen Baseboard Management Controller (BMC), dessen Firmware mit IPMI Version 1.5 oder höher kompatibel ist und der remote über das LAN gesteuert werden kann.



**ANMERKUNG:** Die Verwendung eines dedizierten DRAC-Ports für IPMI wird empfohlen.

Der für `ipmitool` benötigte Linux-RPM ist `OpenIPMI-tools-2.0.6-11.el5.x86_64.rpm`.

## Konfiguration des Open IMPI-Treibers

- 1 Melden Sie sich als **root** beim System an.
- 2 Geben Sie Folgendes ein, um den IPMI-Dienst zu aktivieren:  
`Chkconfig ipmi on`
- 3 Aktivieren Sie den IPMI-Dienst, indem Sie Folgendes eingeben:  
`Service ipmi start`
- 4 Führen Sie den Befehl `/sbin/lsmmod|grep ipmi` aus, um zu überprüfen, ob die die IPMI-Module geladen wurden. Beispiel:  

```
/sbin/lsmmod | grep ipmi
ipmi_devintf 44753 2
ipmi_si 77453 1
ipmi_msghandler 72985 2
ipmi_devintf,ipmi_si
```
- 5 Vergewissern Sie sich, dass das System das IPMI-Gerät erkennt, indem Sie den folgenden Befehl eingeben: `ls -l /dev/ipmi0`

Wenn das IPMI-Gerät dynamisch geladen wurde, sollte die Ausgabe ähnlich wie folgende aussehen:

```
ls -l /dev/ipmi0
crw----- 1 root root 252, 0 Dec 23 16:41
/dev/ipmi0
```

## Konfiguration des BMC mit IPMItool

Orientieren Sie sich an dem folgenden Beispiel, um den BMC mit `ipmitool` Version 2.0 zu konfigurieren:

- 1 Melden Sie sich als `root` beim System an.
- 2 Überprüfen Sie, dass `ipmitool` über den IPMI-Treiber mit dem BMC kommuniziert. Überprüfen Sie mit den folgenden Befehlen die Geräte-ID in der Ausgabe:

```
ipmitool bmc info
Device ID : 32
Device Revision : 0
Firmware Revision : 0.20
IPMI Version : 2.0
Manufacturer ID : 674
Manufacturer Name : Unknown (0x2a2)
Product ID : 256 (0x0100)
```

Wenn `ipmitool` nicht mit dem BMC kommunizieren kann, lesen Sie „Konfiguration des Open IMPI-Treibers“ auf Seite 230 und stellen Sie sicher, dass der IPMI-Treiber ausgeführt wird.

- 3 Aktivieren Sie IPMI über LAN:
  - a Bestimmen Sie die Kanalnummer für IPMI über LAN. Führen Sie, beginnend bei Kanal 1, den folgenden Befehl aus, bis Sie den Kanal finden, der die erforderlichen LAN-Attribute, zum Beispiel die IP-Adresse, anzeigt:

```
ipmitool lan print 1
. . .
IP Address Source : 0x01
IP Address : 140.87.155.89
. . .
```

- b Aktivieren Sie den LAN-Zugriff für den gefundenen Kanal. Zum Beispiel für Kanal 1:

```
ipmitool lan set 1 access on
```

**4** Konfigurieren Sie mit einem der folgenden Verfahren die IP-Adress-einstellungen für IPMI:

- Mit dynamischer IP-Adressierung – Die dynamische IP-Adressierung ist die Standardeinstellung, von der Oracle Universal Installer ausgeht. Es wird empfohlen, diese Option auszuwählen, sodass Knoten problemlos zum Cluster hinzugefügt bzw. daraus entfernt werden können, da die Adresseinstellungen automatisch zugewiesen werden. Wenn es sich zum Beispiel um Kanal 1 handelt, geben Sie den folgenden Befehl ein, um DHCP zu aktivieren und den Kanal festzulegen:

```
ipmitool lan set 1 ipsrc dhcp
```



**ANMERKUNG:** Bei Verwendung von DHCP ist ein DHCP-Server im Subnetz erforderlich.

- Mit statischer IP-Adressierung – Wenn der BMC eine Netzwerkverbindung gemeinsam mit dem Betriebssystem verwendet, muss sich die IP-Adresse im selben Subnetz befinden. Sie müssen nicht nur die IP-Adresse festlegen, sondern auch die richtigen Werte für Netzmaske und Standardgateway. Wenn es sich zum Beispiel um Kanal 1 handelt:

```
ipmitool lan set 1 ipaddr 192.168.0.55
```

```
ipmitool lan set 1 netmask 255.255.255.0
```

```
ipmitool lan set 1 defgw ipaddr 192.168.0.1
```

Die im Beispiel angegebene Adresse (192.168.0.55) ist nur dem BMC zugeordnet und reagiert nicht auf normale Ping-Befehle.

**5** Richten Sie ein Administratorkonto mit Benutzernamen und Kennwort ein, indem Sie wie nachstehend beschrieben vorgehen (weiterhin davon ausgehend, dass es sich um Kanal 1 handelt):

- a** Konfigurieren Sie den BMC für die Kennwortauthentifizierung für den **Admin**-Zugriff über LAN. Beispiel:

```
ipmitool lan set 1 auth ADMIN MD5,PASSWORD
```

- b** Listen Sie die Konto-Slots auf dem BMC ein und identifizieren Sie einen unbenutzten Slot (eine Benutzer-ID mit leerem Benutzernamenfeld). Beispiel:

```
ipmitool channel getaccess 1
. . .
User ID : 4
User Name :
Fixed Name : No
Access Available : call-in / callback
Link Authentication : disabled
IPMI Messaging : disabled
Privilege Level : NO ACCESS
. . .
```

- c** Weisen Sie den gewünschten Administrator-Benutzernamen und das Kennwort zu und aktivieren Sie Meldungen für den identifizierten Slot. Legen Sie außerdem die Berechtigungsstufe für diesen Slot bei Zugriff über LAN (Kanal 1) auf ADMIN (Stufe 4) fest. Beispiel:

```
ipmitool user set name 4 bmcuser
ipmitool user set password 4 password
ipmitool user enable 4
ipmitool channel setaccess 1 4 privilege=4
ipmitool channel setaccess 1 4 link=on
ipmitool channel setaccess 1 4 ipmi=on
```

Dabei ist *bmcuser* der Administrator-Benutzername und *password* ist das Kennwort.

- d Überprüfen Sie die Einrichtung mit dem Befehl `lan print 1`. Die Ausgabe sollte in etwa folgendermaßen aussehen:

```
ipmitool lan print 1

Set in Progress : Set Complete

Auth Type Support : NONE MD2 MD5 PASSWORD

Auth Type Enable : Callback : MD2 MD5

: User : MD2 MD5

: Operator : MD2 MD5

: Admin : MD5 PASSWORD

: OEM : MD2 MD5

IP Address Source : DHCP Address [or Static
Address]

IP Address : 192.168.0.55

Subnet Mask : 255.255.255.0

MAC Address : 00:14:22:23:fa:f9

SNMP Community String : public

IP Header : TTL=0x40 Flags=0x40 Precedence=...

Default Gateway IP : 192.168.0.1

Default Gateway MAC : 00:00:00:00:00:00

.

.

.

ipmitool channel getaccess 1 4

Maximum User IDs : 10

Enabled User IDs : 2

User ID : 4

User Name : bmcuser
```

```
Fixed Name : No
Access Available : call-in / callback
Link Authentication : enabled
IPMI Messaging : enabled
Privilege Level : ADMINISTRATOR
```

- 6 Überprüfen Sie, ob der BMC zugänglich ist und von einem Remoteknoten im Cluster gesteuert werden kann, indem Sie den Befehl **bmc info** verwenden.  
Wenn zum Beispiel *node2-ipmi* der Netzwerk-Hostname ist, der dem BMC für Knoten2 zugewiesen wurden, geben Sie zur Überprüfung des BMC an Knoten2 von Knoten1 den folgenden Befehl an Knoten1 ein:

```
$ ipmitool -H Knoten2-ipmi -U bmcuser -P password
bmc info
```

Dabei ist *bmcuser* das Administrator-Konto und *password* ist das Kennwort.

Wenn der BMC richtig konfiguriert ist, werden die Informationen zum BMC auf dem Remoteknoten angezeigt. Wenn Sie dagegen eine Fehlermeldung sehen, zum Beispiel `Error: Unable to establish LAN session` (Fehler: LAN-Sitzung kann nicht aufgebaut werden), überprüfen Sie die BMC-Konfiguration auf dem Remoteknoten.



# Einrichten eines Fibre-Channel-Clusters

 **WARNUNG:** Bevor Sie gemäß den in diesem Abschnitt beschriebenen Anleitungen vorgehen, lesen Sie zunächst die Sicherheitshinweise in der entsprechenden Dokumentation im Lieferumfang Ihres Systems. Ergänzende Informationen zur bestmöglichen Einhaltung der Sicherheitsrichtlinien finden Sie auf der Dell Website zur Einhaltung gesetzlicher Vorschriften unter [www.dell.com/regulatory\\_compliance](http://www.dell.com/regulatory_compliance).

Die Informationen in diesem Abschnitt helfen Ihnen beim Überprüfen der Hardwareverbindungen sowie der Hardware- und Softwarekonfigurationen des Fibre-Channel-Clusters.

# Hardwareverbindungen für einen Fibre-Channel-Cluster

Abbildung 3-1 stellt die Hardwareverbindungen eines Fibre-Channel-Clusters dar.

**Abbildung 3-1. Hardwareverbindungen für einen Fibre-Channel-Cluster**

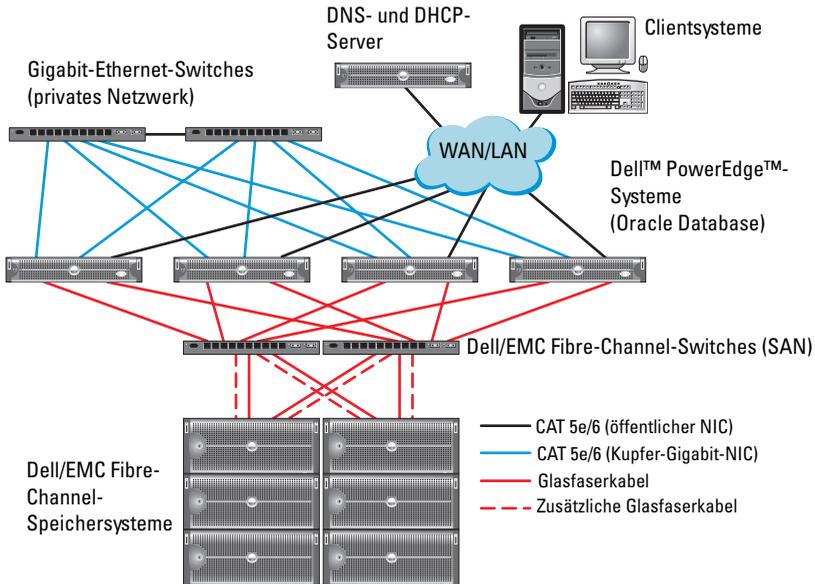


Tabelle 3-1 listet die in Abbildung 3-1 abgebildeten Fibre-Channel-Hardwareverbindungen auf und fasst die Clusterverbindungen zusammen.

**Tabelle 3-1. Fibre-Channel-Hardwareverbindungen**

| <b>Cluster-komponente</b>             | <b>Verbindungen</b>                                                                                                                                                                                                                                                                                                                                                                                                                                                                                                                                                         |
|---------------------------------------|-----------------------------------------------------------------------------------------------------------------------------------------------------------------------------------------------------------------------------------------------------------------------------------------------------------------------------------------------------------------------------------------------------------------------------------------------------------------------------------------------------------------------------------------------------------------------------|
| PowerEdge Systemknoten                | <ul style="list-style-type: none"> <li>• Ein CAT 5e-Kabel (Category 5 enhanced) oder CAT 6-Kabel vom öffentlichen NIC zum lokalen Netzwerk (LAN)</li> <li>• Ein CAT 5e- oder CAT 6-Kabel vom privaten Gigabit-NIC zum Gigabit-Ethernet-Switch</li> <li>• Ein CAT 5e- oder CAT 6-Kabel von einem redundanten privaten Gigabit-NIC zu einem redundanten Gigabit-Ethernet-Switch</li> <li>• Ein Glasfaserkabel vom HBA 0 zum Fibre-Channel-Switch 0</li> <li>• Ein Glasfaserkabel vom HBA 1 zum Fibre-Channel-Switch 1</li> </ul>                                              |
| Dell/EMC Fibre-Channel-Speichersystem | <ul style="list-style-type: none"> <li>• Zwei CAT 5e- oder CAT 6-Kabel zum LAN</li> <li>• Ein bis vier Glasfaserverbindungen zu jedem Fibre-Channel-Switch. Zum Beispiel bei einer Konfiguration mit vier Anschlüssen: <ul style="list-style-type: none"> <li>– Ein Glasfaserkabel vom SPA-Port 0 zum Fibre-Channel-Switch 0</li> <li>– Ein Glasfaserkabel vom SPA-Port 1 zum Fibre-Channel-Switch 1</li> <li>– Ein Glasfaserkabel vom SPB-Port 0 zum Fibre-Channel-Switch 1</li> <li>– Ein Glasfaserkabel vom SPB-Port 1 zum Fibre-Channel-Switch 0</li> </ul> </li> </ul> |
| Dell/EMC Fibre-Channel-Switch         | <ul style="list-style-type: none"> <li>• Ein bis vier Glasfaserverbindungen zum Dell/EMC Fibre-Channel-Speichersystem</li> <li>• Eine Glasfaserverbindung zu den HBAs der einzelnen PowerEdge-Systeme</li> </ul>                                                                                                                                                                                                                                                                                                                                                            |
| Gigabit-Ethernet Schalter             | <ul style="list-style-type: none"> <li>• Jeweils eine CAT 5e- oder CAT 6-Verbindung zum privaten Gigabit-NIC auf jedem PowerEdge-System</li> <li>• Eine CAT 5e- oder CAT 6-Verbindung zum verbleibenden Gigabit-Ethernet-Switch</li> </ul>                                                                                                                                                                                                                                                                                                                                  |

# Verkabeln des Fibre-Channel-Speichersystems

Sie können Ihr Oracle-Database-Fibre-Channel-Clustersystem je nach Ihren Anforderungen wie folgt konfigurieren:

- Direct-Attach-Fibre-Channel (siehe Abbildung 3-2)
- SAN-Attach-Fibre-Channel-Konfiguration mit vier Ports (siehe Abbildung 3-3)

## Direct-Attach-Fibre-Channel-Konfiguration

So konfigurieren Sie die Knoten in einer Direct-Attach-Fibre-Channel-Konfiguration:

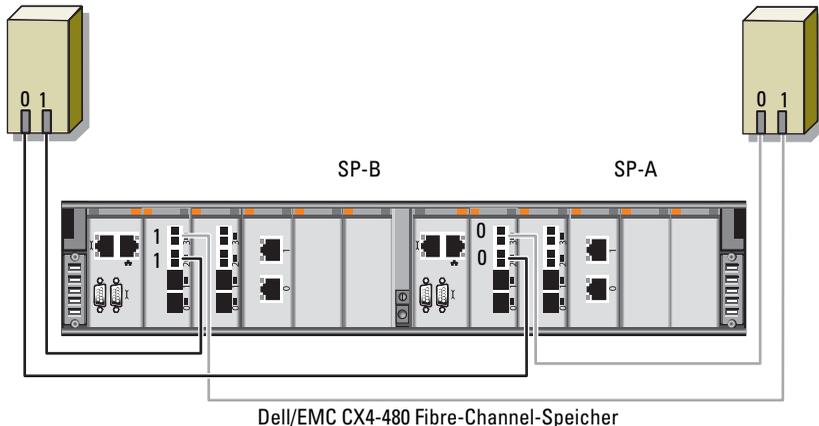
- 1 Verbinden Sie HBA 0 von Knoten 1 durch ein Glasfaserkabel mit Port 0 vom SP-A.
- 2 Verbinden Sie HBA 1 von Knoten 1 durch ein Glasfaserkabel mit Port 0 vom SP-B.
- 3 Verbinden Sie HBA 0 von Knoten 2 durch ein Glasfaserkabel mit Port 1 vom SP-A.
- 4 Verbinden Sie HBA 1 von Knoten 2 durch ein Glasfaserkabel mit Port 1 vom SP-B.

Abbildung 3-2 stellt die Kabelverbindungen in einem Direct-Attach-Fibre-Channel-Cluster dar.

**Abbildung 3-2. Verkabelung bei einem direkt verbundenen Fibre-Channel-Cluster**

Zwei HBA-Ports für Knoten 1

Zwei HBA-Ports für Knoten 2



## **SAN-Attach-Fibre-Channel-Konfiguration**

So konfigurieren Sie Ihre Knoten in einer SAN-Attach-Konfiguration mit vier Ports:

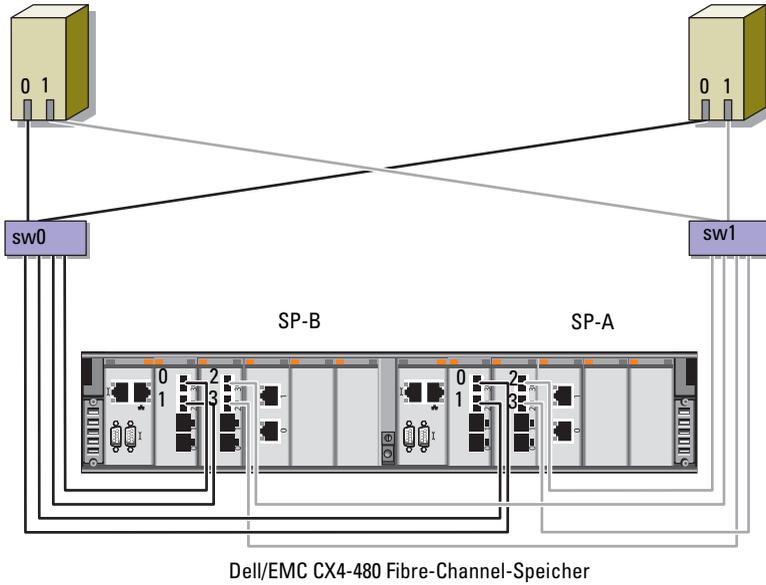
- 1** Verbinden Sie Port 0 von SP-A durch ein Glasfaserkabel mit Fibre-Channel-Switch 0.
- 2** Verbinden Sie Port 1 von SP-A durch ein Glasfaserkabel mit Fibre-Channel-Switch 1.
- 3** Verbinden Sie Port 2 von SP-A durch ein Glasfaserkabel mit Fibre-Channel-Switch 0.
- 4** Verbinden Sie Port 3 von SP-A durch ein Glasfaserkabel mit Fibre-Channel-Switch 1.
- 5** Verbinden Sie Port 0 von SP-B durch ein Glasfaserkabel mit Fibre-Channel-Switch 1.
- 6** Verbinden Sie Port 1 von SP-B durch ein Glasfaserkabel mit Fibre-Channel-Switch 0.
- 7** Verbinden Sie Port 2 von SP-B durch ein Glasfaserkabel mit Fibre-Channel-Switch 1.
- 8** Verbinden Sie Port 3 von SP-B durch ein Glasfaserkabel mit Fibre-Channel-Switch 0.
- 9** Verbinden Sie HBA 0 von Knoten 1 durch ein Glasfaserkabel mit Fibre-Channel-Switch 0.
- 10** Verbinden Sie HBA 1 von Knoten 1 durch ein Glasfaserkabel mit Fibre-Channel-Switch 1.
- 11** Verbinden Sie HBA 0 von Knoten 2 durch ein Glasfaserkabel mit Fibre-Channel-Switch 0.
- 12** Verbinden Sie HBA 1 von Knoten 2 durch ein Glasfaserkabel mit Fibre-Channel-Switch 1.

Abbildung 3-3 stellt die Kabelverbindungen in einem SAN-Attach-Fibre-Channel-Cluster dar.

**Abbildung 3-3. Verkabelung bei einem über SAN verbundenen Fibre-Channel-Cluster**

Zwei HBA-Ports für Knoten 1

Zwei HBA-Ports für Knoten 2



# Einrichten eines SAS-Clusters für Dell PowerVault MD3000 und MD1000-Erweiterungsgehäuse

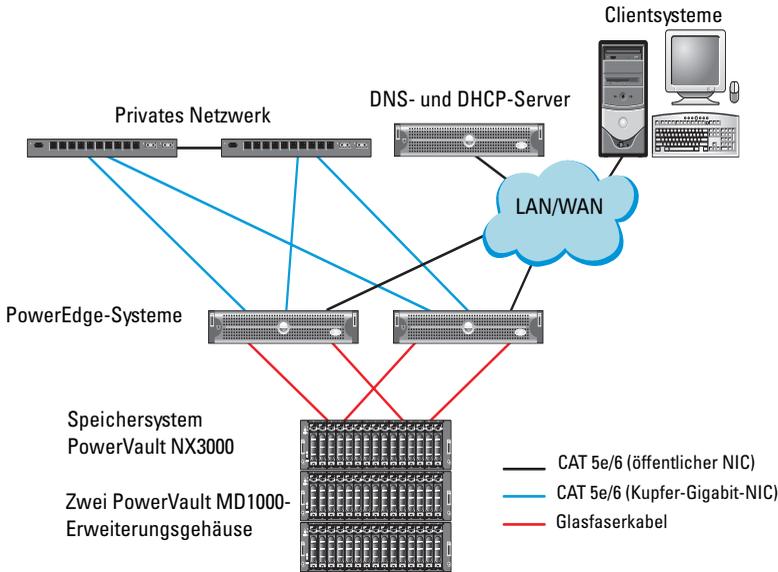
 **WARNUNG:** Bevor Sie gemäß den in diesem Abschnitt beschriebenen Anleitungen vorgehen, lesen Sie zunächst die Sicherheitshinweise in der entsprechenden Dokumentation im Lieferumfang Ihres Systems. Ergänzende Informationen zur bestmöglichen Einhaltung der Sicherheitsrichtlinien finden Sie auf der Dell™ Website zur Einhaltung gesetzlicher Vorschriften unter [www.dell.com/regulatory\\_compliance](http://www.dell.com/regulatory_compliance).

So konfigurieren Sie die Dell PowerEdge™ Systeme und die Dell PowerVault™ Speichergehäuse MD3000 und MD1000 für den Betrieb in einer Oracle® Real Application Cluster (RAC)-Umgebung:

- 1 Überprüfen Sie die Hardware- und Softwarekonfigurationen anhand Abbildung 4-1, Tabelle 4-1 und Abbildung 4-2.
- 2 Führen Sie die in „Einrichten der Hardware“ auf Seite 245 beschriebenen Schritte durch.

 **VORSICHTSHINWEIS:** Legen Sie vor dem Aktualisieren der Firmware des PowerVault MD3000-Speicherarrays von sämtlichen Daten Sicherungskopien an.

**Abbildung 4-1. Verkabelung des SAS (Serial-Attached SCSI)-Clusters und des Speichergehäuses Dell PowerVault MD3000**



**Tabelle 4-1. Verbindungen der SAS-Clusterhardware**

| Clusterkomponente      | Verbindungen                                                                                                                                                                                                                                                                                                                                                                                                                                       |
|------------------------|----------------------------------------------------------------------------------------------------------------------------------------------------------------------------------------------------------------------------------------------------------------------------------------------------------------------------------------------------------------------------------------------------------------------------------------------------|
| PowerEdge-Systemknoten | <ul style="list-style-type: none"> <li>• Ein CAT 5e/6-Kabel vom öffentlichen NIC zum lokalen Netzwerk (LAN)</li> <li>• Ein CAT 5e/6-Kabel vom privaten Gigabit-NIC zum Gigabit-Ethernet-Switch (privates Netzwerk)</li> <li>• Ein CAT 5e/6-Kabel vom redundanten privaten Gigabit-NIC zum redundanten Gigabit-Ethernet-Switch (privates Netzwerk)</li> <li>• Zwei SAS-Verbindungen zu einem PowerVault MD3000-Systemknoten über SAS 5/E</li> </ul> |

**Tabelle 4-1. Verbindungen der SAS-Clusterhardware (fortgesetzt)**

| Clusterkomponente                                  | Verbindungen                                                                                                                                                                                                                                                                                                                                                                 |
|----------------------------------------------------|------------------------------------------------------------------------------------------------------------------------------------------------------------------------------------------------------------------------------------------------------------------------------------------------------------------------------------------------------------------------------|
| PowerVault MD3000 Speichergehäuse                  | <ul style="list-style-type: none"><li>• Zwei CAT 5e/6-Kabel zum LAN (eines von jedem Speicherprozessormodul)</li><li>• Zwei SAS-Verbindungen zu jedem PowerEdge-Systemknoten über die SAS 5/E-Kabel.</li></ul> <p><b>ANMERKUNG:</b> Weitere Information zu Verbindungen bei PowerVault MD3000-Speichergehäusen finden Sie unter „Einrichten der Hardware“ auf Seite 245.</p> |
| Dell PowerVault MD1000 Speichergehäuse (optional). | Für die PowerVault MD1000-Erweiterungsgehäuse werden weitere SAS-Kabelverbindungen benötigt                                                                                                                                                                                                                                                                                  |

## Einrichten der Hardware

SAS-Cluster lassen sich nur in einem Direct-Attach-Cluster installieren und sind auf zwei Knoten beschränkt.

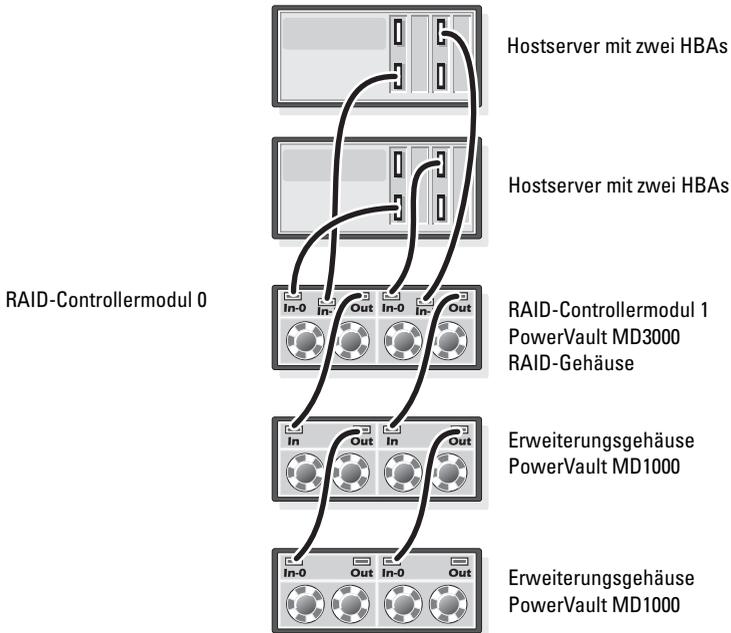
So konfigurieren Sie Ihre Knoten in einer Direct-Attach-Konfiguration:

- 1 Verbinden Sie einen Port des SAS-Controllers von Knoten 1 durch ein SAS-Kabel mit Port **In-0** von RAID-Controller 0 im PowerVault MD3000-Speichergehäuse.
- 2 Verbinden Sie den anderen Port des SAS-Controllers von Knoten 1 durch ein SAS-Kabel mit Port **In-0** von RAID-Controller 1 im PowerVault MD3000-Speichergehäuse.
- 3 Verbinden Sie einen Port des SAS-Controllers von Knoten 2 durch ein SAS-Kabel mit Port **In-1** von RAID-Controller 0 im PowerVault MD3000-Speichergehäuse.
- 4 Verbinden Sie den anderen Port des SAS-Controllers von Knoten 2 durch ein SAS-Kabel mit Port **In-1** von RAID-Controller 1 im PowerVault MD3000-Speichergehäuse.
- 5 Verbinden Sie gegebenenfalls die beiden Ausgänge des PowerVault MD3000-Speichergehäuses durch zwei SAS-Kabel mit den beiden Eingängen des ersten PowerVault MD1000-Erweiterungsghäuses.

- 6 Verbinden Sie gegebenenfalls die beiden Ausgänge des PowerVault MD1000 Speichergehäuses durch zwei SAS-Kabel mit den beiden **In-0**-Eingängen des zweiten PowerVault MD1000-Erweiterungsgehäuses.

 **ANMERKUNG:** Informationen zur Konfiguration des PowerVault MD1000-Erweiterungsgehäuses finden Sie in der Dokumentation des Speichersystems PowerVault MD1000 unter [support.dell.com/manuals](http://support.dell.com/manuals).

**Abbildung 4-2. Verkabelung bei einem Direct-Attach-SAS-Cluster**



# Installation der hostbasierten Speichersoftware

Um die erforderliche hostbasierte Software für das Speichergehäuse PowerVault MD3000 zu installieren, verwenden Sie das *Dell PowerVault Resource-Medium*, das mit dem System geliefert wurde. Um die Modular Disk Storage Manager (MDSM) Software auf dem Master-Knoten und die Multi-Path Input/Output (MPIO) Software auf den restlichen Knoten zu installieren, folgen Sie den Anleitungen in der Dokumentation zum Speichergehäuse PowerVault MD3000.

## Überprüfung und Upgrade der Firmware

- 1 Verwenden Sie die auf dem Hostsystem installierte MDSM-Software, um den direkt mit dem Hostsystem verbundenen Speicher zu erkennen.
- 2 Stellen Sie sicher, dass die Firmware-Mindestanforderungen der folgenden Speicherkomponenten erfüllt sind:
  - Firmware des RAID-Controllers
  - Firmware des Speichersystems PowerVault MD3000
  - Firmware des Erweiterungsgehäuses PowerVault MD1000



**ANMERKUNG:** Die erforderliche Mindestversion für die Firmware finden Sie über den Link **Dell Validated Components** unter [dell.com/oracle](http://dell.com/oracle).

## Installation des SAS 5/E-Adaptertreibers

Installieren Sie den SAS 5/E-Treiber vom *PowerVault MD3000 Ressource-Medium*.



**ANMERKUNG:** Stellen Sie sicher, dass die SAS 5/E-Treiberversion nicht älter ist als die auf der Solution Deliverable List (SDL) angeführte Version. Die SDLs für alle von Dell validierten Komponenten können unter [dell.com/oracle](http://dell.com/oracle) abgerufen werden.

Anleitungen zur Installation der Treiber auf beiden Clusterknoten finden Sie in den Dokumentationen zum Speichergehäuse PowerVault MD3000 und zu den SAS HBAs.

## Ausführen der nach der Installation erforderlichen Aufgaben

Nachdem Sie Treiber und Software installiert haben, führen Sie die in der *Installationsanleitung für den MD3000* genannten Aufgaben nach der Installation durch. Erstellen Sie die in der Dokumentation *Oracle Database auf Dell PowerEdge-Systemen mit Enterprise Linux x86\_64 – Installationshandbuch für Betriebssystem und Hardware* und im *Linux-Handbuch* gezeigte Umgebung. Beide Dokumente stehen unter [support.dell.com/manuals](http://support.dell.com/manuals) zur Verfügung.



**ANMERKUNG:** Es wird empfohlen, die Datenträger für die LUNs als RAID 10-Array zu konfigurieren.

# Einrichten eines iSCSI-Clusters für Dell™ PowerVault™ MD3000i- und MD1000-Speichergehäuse

**! WARNUNG:** Bevor Sie gemäß den in diesem Abschnitt beschriebenen Anleitungen vorgehen, lesen Sie zunächst die Sicherheitshinweise in der entsprechenden Dokumentation im Lieferumfang Ihres Systems. Ergänzende Informationen zur bestmöglichen Einhaltung der Sicherheitsrichtlinien finden Sie auf der Dell Website zur Einhaltung gesetzlicher Vorschriften unter [www.dell.com/regulatory\\_compliance](http://www.dell.com/regulatory_compliance).

Dieser Abschnitt enthält Informationen und Vorgehensweisen zur Konfiguration Ihres Dell PowerEdge™-Systems und der Dell PowerVault Speichergehäuse MD3000i und MD1000 für den Betrieb in einer Oracle® RAC (Real Application Cluster)-Umgebung.

Gleichen Sie die Hardwareverbindungen und die Hardware- und Software-Konfigurationen mit den Angaben zu den unterstützten Konfigurationen in der *Matrix für unterstützte Konfigurationen für Dell PowerVault MD3000i* unter [support.dell.com/manuals](http://support.dell.com/manuals) ab.

**Tabelle 5-1. iSCSI-Hardwareverbindungen**

| Clusterkomponente      | Verbindungen                                                                                                                                                                                                                                                                                                                                                                                                                                                  |
|------------------------|---------------------------------------------------------------------------------------------------------------------------------------------------------------------------------------------------------------------------------------------------------------------------------------------------------------------------------------------------------------------------------------------------------------------------------------------------------------|
| PowerEdge-Systemknoten | <ul style="list-style-type: none"> <li>• Ein CAT 5e/6-Kabel vom öffentlichen NIC zum lokalen Netzwerk (LAN)</li> <li>• Ein CAT 5e/6-Kabel vom privaten Gigabit-NIC zum Gigabit-Ethernet-Switch (privates Netzwerk)</li> <li>• Ein CAT 5e/6-Kabel vom redundanten privaten Gigabit-NIC zum redundanten Gigabit-Ethernet-Switch (privates Netzwerk)</li> <li>• Ein CAT 5e/6-Kabel vom iSCSI-Gigabit-NIC zum Gigabit-Ethernet-Switch (iSCSI-Netzwerk)</li> </ul> |

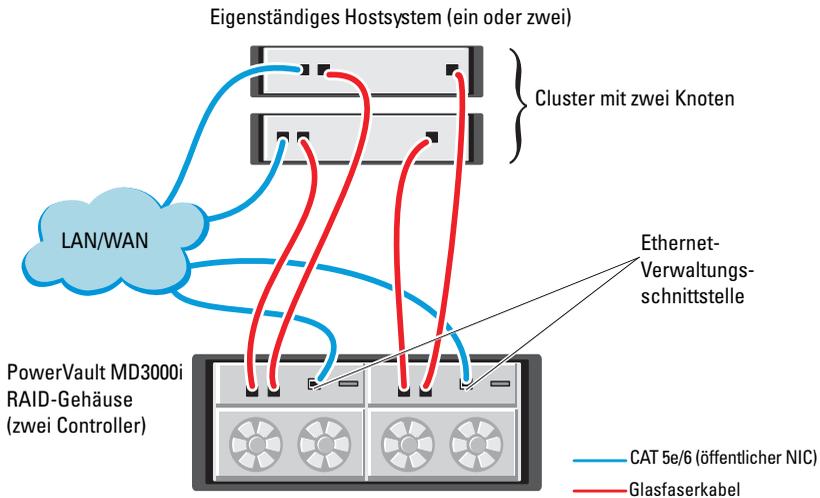
**Tabelle 5-1. iSCSI-Hardwareverbindungen (fortgesetzt)**

| Clusterkomponente                                        | Verbindungen                                                                                                                                                                                                                                                                                                                                                                                                                                              |
|----------------------------------------------------------|-----------------------------------------------------------------------------------------------------------------------------------------------------------------------------------------------------------------------------------------------------------------------------------------------------------------------------------------------------------------------------------------------------------------------------------------------------------|
| Speichersystem<br>PowerVault MD3000i                     | <ul style="list-style-type: none"> <li>• Zwei CAT 5e/6-Kabel zum LAN (eines von jedem Speicherprozessormodul) für die Verwaltungsschnittstelle</li> <li>• Zwei CAT 5e/6-Kabel je Speicherprozessor als iSCSI-Verbindung</li> </ul> <p><b>ANMERKUNG:</b> Weitere Informationen zu PowerVault MD3000i-Speichergehäusen finden Sie in der PowerVault MD3000i-Dokumentation unter <a href="http://support.dell.com/manuals">support.dell.com/manuals</a>.</p> |
| PowerVault MD1000 Speichererweiterungsgchäuse (optional) | Für die MD1000-Erweiterungsgchäuse werden weitere SAS-Kabelverbindungen benötigt                                                                                                                                                                                                                                                                                                                                                                          |

## Einrichten der Hardware

Direkt verbundene iSCSI-Cluster sind auf zwei Knoten beschränkt.

**Abbildung 5-1. Direkt verbundene iSCSI-Cluster verkabeln**



Um eine Direct-Attach-Konfiguration für die Knoten einzurichten, beachten Sie die Hinweise unter Abbildung 5-1, und führen Sie die folgenden Schritte durch:

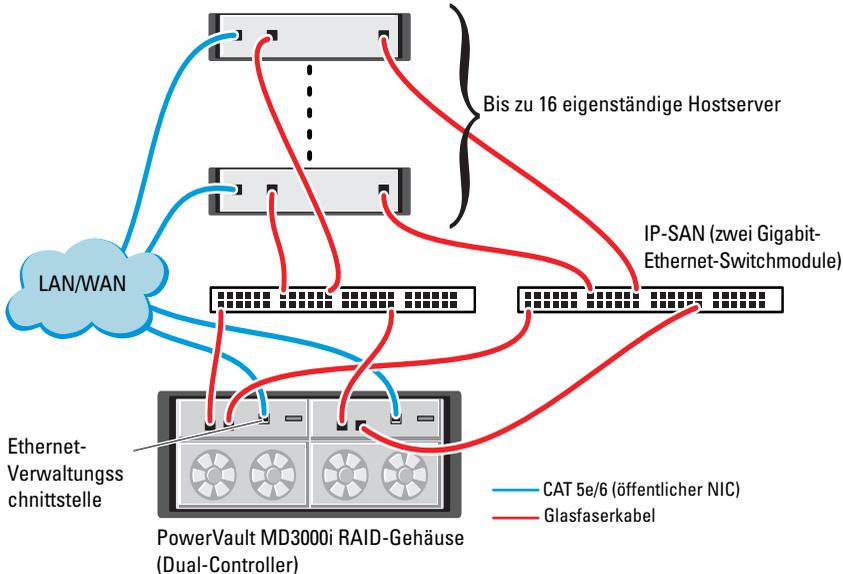
- 1 Verbinden Sie einen Port (iSCSI-HBA oder NIC) von Knoten 1 durch ein CAT 5e/6-Kabel mit Port **In-0** von RAID-Controller 0 im PowerVault MD3000i-Speichergehäuse.
- 2 Verbinden Sie den anderen Port (iSCSI-HBA oder NIC) von Knoten 1 durch ein CAT 5e/6-Kabel mit Port **In-0** von RAID-Controller 1 im PowerVault MD3000i-Speichergehäuse.
- 3 Verbinden Sie einen Port (iSCSI-HBA oder NIC) von Knoten 2 durch ein CAT 5e/6-Kabel mit Port **In-1** von RAID-Controller 0 im PowerVault MD3000i-Speichergehäuse.
- 4 Verbinden Sie den anderen Port (iSCSI-HBA oder NIC) von Knoten 2 durch ein CAT 5e/6-Kabel mit Port **In-1** von RAID-Controller 1 im PowerVault MD3000i-Speichergehäuse.
- 5 Verbinden Sie gegebenenfalls die beiden Ausgänge des PowerVault MD3000-Speichergehäuses durch zwei SAS-Kabel mit den beiden Eingängen des ersten PowerVault MD1000-Erweiterungsgehäuses.
- 6 Verbinden Sie gegebenenfalls die beiden Ausgänge des PowerVault MD1000 Speichergehäuses durch zwei SAS-Kabel mit den beiden **In-0**-Eingängen des zweiten MD1000-Erweiterungsgehäuses.



**ANMERKUNG:** Informationen zur Konfiguration des PowerVault MD1000-Erweiterungsgehäuses finden Sie in der Dokumentation des Speichersystems PowerVault MD3000i unter [support.dell.com/manuals](http://support.dell.com/manuals).

Über Switches verbundene iSCSI-Cluster unterstützen bis zu acht Knoten.

**Abbildung 5-2. iSCSI-Cluster über Switches verkabeln**



Um die Knoten über Switches zu konfigurieren (siehe Abbildung 5-2), gehen Sie wie folgt vor:

- 1 Verbinden Sie einen Port (iSCSI-HBA oder NIC) von Knoten 1 durch ein CAT 5e/6-Kabel mit dem Port von Netzwerkswitch 1.
- 2 Verbinden Sie einen Port (iSCSI-HBA oder NIC) von Knoten 1 durch ein CAT 5e/6-Kabel mit dem Port von Netzwerk-Switch 2.
- 3 Verbinden Sie einen Port (iSCSI-HBA oder NIC) von Knoten 2 durch ein CAT 5e/6-Kabel mit dem Port von Netzwerk-Switch 1.
- 4 Verbinden Sie einen Port (iSCSI-HBA oder NIC) von Knoten 2 durch ein CAT 5e/6-Kabel mit dem Port von Netzwerk-Switch 2.
- 5 Verbinden Sie einen Port von Switch 1 durch ein CAT 5e/6-Kabel mit Port **In-0** von RAID-Controller 0 im PowerVault MD3000i-Speichergehäuse.
- 6 Verbinden Sie den anderen Port von Switch 1 durch ein CAT 5e/6-Kabel mit Port **In-0** von RAID-Controller 1 im PowerVault MD3000i-Speichergehäuse.

- 7 Verbinden Sie einen Port von Switch 2 durch ein CAT 5e/6-Kabel mit Port **In-1** von RAID-Controller 0 im PowerVault MD3000i-Speichergehäuse.
- 8 Verbinden Sie den anderen Port von Switch 2 durch ein CAT 5e/6-Kabel mit Port **In-1** von RAID-Controller 1 im PowerVault MD3000i-Speichergehäuse.
- 9 Verbinden Sie gegebenenfalls die beiden Ausgänge des PowerVault MD3000i-Speichergehäuses durch zwei SAS-Kabel mit den beiden Eingängen des ersten PowerVault MD1000-Erweiterungsgehäuses.
- 10 Verbinden Sie gegebenenfalls die beiden Ausgänge des PowerVault MD3000i-Speichergehäuses durch zwei SAS-Kabel mit den beiden **In-0**-Eingängen des zweiten PowerVault MD1000-Erweiterungsgehäuses.



**ANMERKUNG:** Informationen zur Konfiguration des PowerVault MD1000-Erweiterungsgehäuses finden Sie in der Dokumentation des Dell PowerVault Speichersystems MD3000i unter [support.dell.com/manuals](http://support.dell.com/manuals). Es wird empfohlen, die iSCSI-Speicher-Infrastruktur in einem eigenen Netzwerk zu betreiben. Wenn kein eigenes, dediziertes Netzwerk für iSCSI verfügbar ist, weisen Sie die Speicherfunktion einem eigenen virtuellen LAN-Netzwerk (VLAN) zu. Dadurch wird innerhalb des physischen Netzwerks ein unabhängiges logisches Netzwerk eingerichtet.

## Installation der host-basierten Software für das Speichersystem

Um die erforderliche hostbasierte Software für das Speichersystem PowerVault MD3000i zu installieren, verwenden Sie das *Dell PowerVault Resource*-Medium, das mit dem MD3000i-Speichersystem geliefert wurde. Um die Modular Disk Storage Manager Software auf dem Master-Knoten und die Multipath-Treiber (MPIO)-Software auf den restlichen Knoten zu installieren, folgen Sie den Anleitungen in der Dokumentation zum Speichergehäuse PowerVault MD3000i unter [support.dell.com/manuals](http://support.dell.com/manuals).

## Überprüfung und Upgrade der Firmware

- 1 Verwenden Sie die auf dem Hostsystem installierte Software Modular Disk Storage Manager, um den direkt mit dem Hostsystem verbundenen Speicher zu erkennen.
- 2 Stellen Sie sicher, dass die Firmware-Mindestanforderungen der folgenden Speicherkomponenten erfüllt sind.
  - Firmware für das MD3000i-Speichersystem
  - Firmware für das MD1000-Erweiterungsgehäuse



**ANMERKUNG:** Die erforderliche Mindestversion für die Firmware finden Sie über den Link **Dell Validated Components** unter [dell.com/oracle](http://dell.com/oracle).

## Maßnahmen nach der Installation

Führen Sie nach dem Installieren der Treiber und der Software die Maßnahmen nach erfolgter Installation aus dem *PowerVault MD3000i Installationshandbuch* unter [support.dell.com/manuals](http://support.dell.com/manuals) durch, um eine Umgebung wie in Tabelle 5-1 auf Seite 249 zu erhalten.

# Einrichten eines iSCSI-Clusters für das Dell EqualLogic PS-Speichersystem

 **WARNUNG:** Bevor Sie gemäß den in diesem Abschnitt beschriebenen Anleitungen vorgehen, lesen Sie zunächst die Sicherheitshinweise in der entsprechenden Dokumentation im Lieferumfang Ihres Systems. Ergänzende Informationen zur bestmöglichen Einhaltung der Sicherheitsrichtlinien finden Sie auf der Dell™ Website zur Einhaltung gesetzlicher Vorschriften unter [www.dell.com/regulatory\\_compliance](http://www.dell.com/regulatory_compliance).

## EqualLogic-Terminologie

Die PS-Speicherarrays von EqualLogic™ setzen Speichervirtualisierungstechnologie ein. Um die Funktion dieser Arrays besser zu verstehen, sollten Sie einige Begriffe kennen, die in diesem Zusammenhang verwendet werden:

- **Mitglied:** Ein einzelnes PS-Speicherarray
- **Gruppe:** Ein Satz aus einem oder mehreren Mitgliedern, die zentral verwaltet werden; Hostsysteme greifen über eine einzelne Gruppen-IP-Adresse auf die Daten zu
- **Pool:** Ein RAID, das Datenträger von einem oder mehreren Mitgliedern enthalten kann
- **Volume:** Eine LUN bzw. ein virtuelles Laufwerk, das eine Teilmenge der Pool-Kapazität darstellt.

# Einrichten des EqualLogic iSCSI-Speichersystems

Hostsysteme lassen sich mit dem EqualLogic PS5000XV iSCSI-Array über einen üblichen IP-SAN-Gigabit-Ethernet-Switch verbinden (SAN = Storage Area Network). Abbildung 6-1 zeigt die empfohlene Netzwerkkonfiguration für ein EqualLogic PS5000XV-Array mit zwei Steuermodulen.

Diese Konfiguration verwendet zwei Gigabit-Ethernet-Switchmodule der Reihe Dell PowerConnect™ 6200, um die höchste Netzwerkverfügbarkeit und maximale Netzwerkbandbreite zu bieten.



**ANMERKUNG:** Es wird empfohlen, zwei Gigabit-Ethernet-Switches zu verwenden. In einer Umgebung mit nur einem Ethernet-Switch verlieren bei einem Ausfall des Switches alle Hosts den Zugriff auf den Speicher, bis das Switchmodul ausgetauscht und die Konfiguration wiederhergestellt wird. Bei einer solchen Konfiguration müssen mehrere Ports mit Link-Aggregation vorhanden sein, um die Verbindung zwischen den Switches herzustellen (Trunk). Zudem wird für beide Steuermodule empfohlen, je eine Gigabit-Schnittstelle mit einem Ethernet-Switch und die anderen beiden Gigabit-Schnittstellen mit dem anderen Ethernet-Switch zu verbinden.

**Abbildung 6-1. Empfohlene Netzwerkkonfiguration**

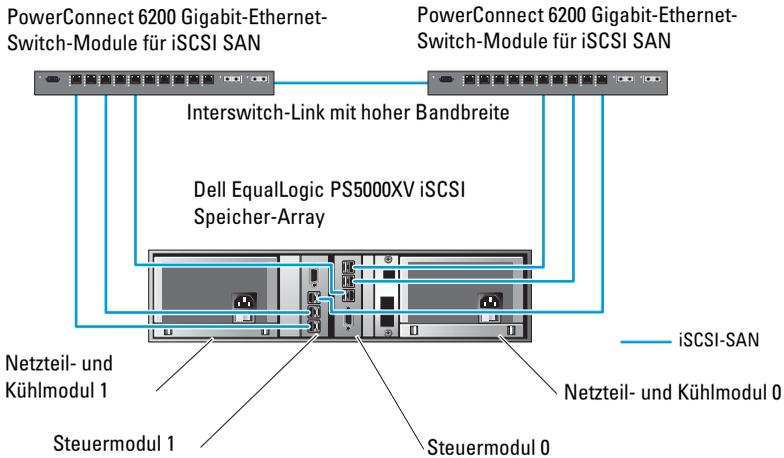
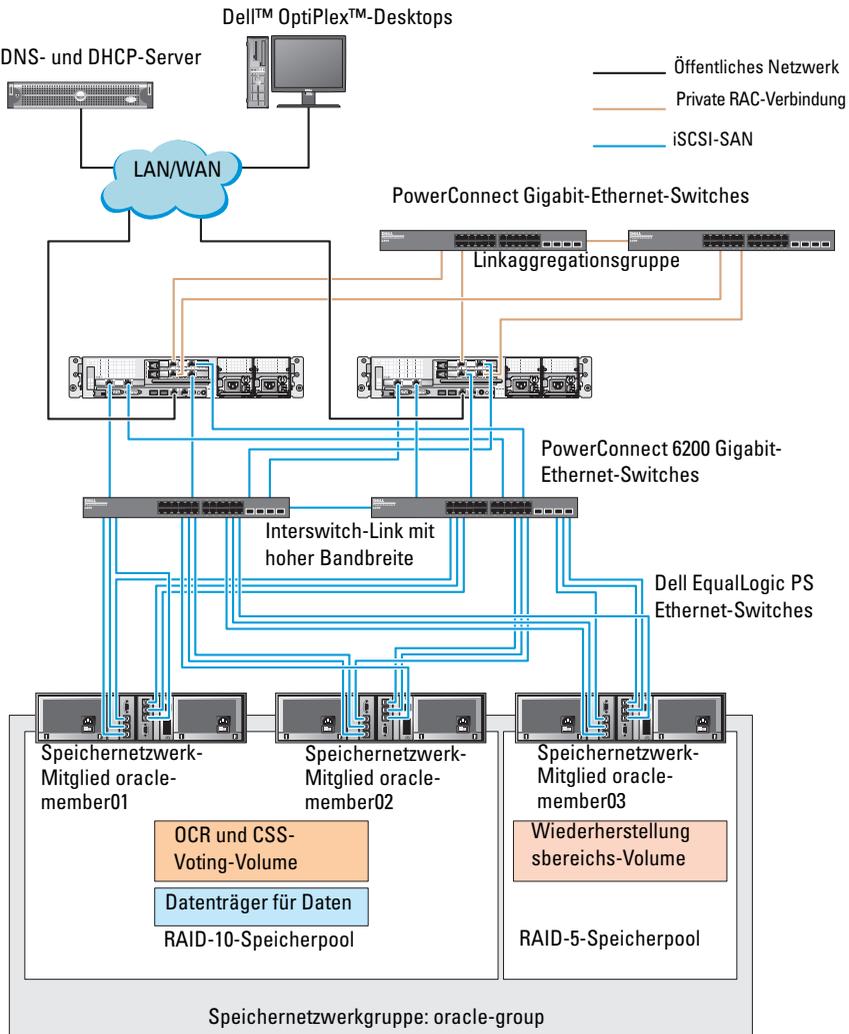


Abbildung 6-2 gibt einen Überblick über die Systemarchitektur einer Oracle® Real Application Cluster (RAC)-Beispielkonfiguration mit drei Dell EqualLogic PS5000XV Speicherarrays. Die Dell EqualLogic PS5000XV-Speicherarrays stellen die physische Speicherkapazität für die RAC-Datenbank bereit. Die Gruppe **oracle-Gruppe** umfasst drei Dell EqualLogic PS5000XV Gruppenmitglieder: **oracle-member01**, **oracle-member02** und **oracle-member03**. Wenn ein Mitglied initialisiert wird, kann es mit RAID 10, RAID 5 oder RAID 50 konfiguriert werden.

**Abbildung 6-2. Beispielkonfiguration eines Oracle® RAC mit drei PS5000XV-Arrays**



**ANMERKUNG:** Weitere Informationen zum Initialisieren eines EqualLogic-Arrays erhalten Sie im *Benutzerhandbuch zu Dell EqualLogic* unter [support.dell.com/manuals](http://support.dell.com/manuals).

Eine EqualLogic PS-Speichergruppe kann in mehrere Ebenen oder Pools unterteilt werden. Mit gestaffeltem Speicher haben Administratoren mehr Kontrolle über die Zuweisung von Datenträgerressourcen. Zu jedem Zeitpunkt kann ein Mitglied nur einem einzigen Pool zugewiesen werden. Ein Mitglied lässt sich einem Pool problemlos zuweisen und zwischen Pools verschieben, ohne dass dies die Datenverfügbarkeit beeinflusst. Pools können nach verschiedenen Kriterien organisiert werden, etwa nach Datenträgertypen oder -geschwindigkeiten, RAID-Levels oder Anwendungstypen.

In Abbildung 6-2 sind die Pools nach dem RAID-Level der Mitglieder eingeteilt:

- Der Pool namens RAID 10 besteht aus Mitgliedern mit RAID 10.
- Der Pool namens RAID 5 besteht aus Mitgliedern mit RAID 5.

## **Erstellen von Volumes**

Bevor Daten gespeichert werden können, müssen die physischen Datenträger des EqualLogic PS5000XV Speicherarrays zu nutzbaren Komponenten konfiguriert werden – so genannten Volumes. Ein Volume stellt einen Teil des Speicherpools mit spezifischer Größe, Zugriffssteuerung und anderen Attributen dar. Ein Volume kann sich über mehrere Datenträger und Gruppenmitglieder erstrecken. Ein Volume ist auf dem Netzwerk als iSCSI-Target sichtbar. Volumes werden einem Pool zugewiesen und lassen sich einfach zwischen Pools verschieben, ohne Einfluss auf die Datenverfügbarkeit. Zusätzlich finden in einem Pool automatische Datenplatzierung und automatischer Lastausgleich statt, basierend auf der Gesamtlast der Speicherhardwareressourcen im Pool.

Tabelle 6-1 zeigt eine Volume-Beispielkonfiguration.

**Tabelle 6-1. Konfiguration von Datenträgern für Oracle RAC**

| Anzahl der Datenträger | Mindestgröße                                                   | RAID | Anzahl der Partitionen | Verwendet für                                         | Betriebssystem-Zuordnung                                                |
|------------------------|----------------------------------------------------------------|------|------------------------|-------------------------------------------------------|-------------------------------------------------------------------------|
| Fünf                   | 1024 MB                                                        | 10   | Eine                   | Voting-Datenträger, Oracle Clusterware Registry (OCR) | ASM-Datenträgergruppe für Cluster Registry (OCR) und Voting-Datenträger |
| Einer                  | Größer als die Datenbank                                       | 10   | Eine                   | Daten                                                 | ASM-Datenträgergruppe DATABASEDG                                        |
| Einer                  | Mindestens doppelt so groß wie die Volumens im zweiten Bereich | 5    | Eine                   | Wiederherstellungsbereich                             | ASM-Datenträgergruppe FLASHBACKDG                                       |
| Einer (Optional)       | 10 GB                                                          | 10   | Eine                   | Shared DB Home                                        | ASM-Datenträgergruppe für Shared DB Home                                |

Erstellen Sie Volumes im Dell EqualLogic PS5000XV-Array und erstellen Sie eine Zugriffsliste, die allen Host-iSCSI-Netzwerkschnittstellen den Zugriff auf die Volumes ermöglicht. Es werden zum Beispiel die folgenden Volumes erstellt:

- mdi-ocr
- mdi-data1
- mdi-fral

## Konfigurieren der iSCSI-Netzwerke

Es wird empfohlen, die Host-Netzwerkschnittstellen für iSCSI-Datenverkehr mit **Flusskontrolle** und **Jumbo-Frames** zu konfigurieren, um die Leistung zu optimieren. Verwenden Sie das Dienstprogramm `ethtool`, um **Flow Control** (Flusskontrolle) zu konfigurieren.

Verwenden Sie den folgenden Befehl, um auf **Flusskontrolle (RX/TX Pause)** an den Schnittstellen zu prüfen: `# ethtool -a <Schnittstelle>`

Beispiel:

```
ethtool -a eth2
Pause parameters for eth2:
Autonegotiate: on
RX: on
TX: on
```

In diesem Beispiel ist **Flow Control** bereits aktiviert (on). Andernfalls aktivieren Sie **Flow Control** (Flusskontrolle) mit dem folgenden Befehl:

```
ethtool -A <Schnittstelle> rx on tx on
```

**Jumbo Frame** wird in den Skripten in `/etc/sysconfig/network-scripts/ifcfg-<Schnittstelle>` konfiguriert, indem Sie den Parameter `MTU="<mtu-Wert>"` hinzufügen.

Im folgenden Beispiel ist **MTU** auf **9000** gesetzt.

```
cat /etc/sysconfig/network-scripts/ifcfg-eth2
DEVICE=eth2
HWADDR=00:15:17:80:43:50
ONBOOT=yes
TYPE=Ethernet
BOOTPROTO=none
IPADDR=10.16.7.125
NETMASK=255.255.255.0
USERCTL=no
MTU=9000
```

Überprüfen Sie die **Jumbo-Frame**-Einstellung mit dem Befehl `ifconfig`:

```
$ ifconfig eth2
eth2 Link encap:Ethernet HWaddr
00:15:17:80:43:50
 inet addr:10.16.7.125 Bcast:10.16.7.255
Mask:255.255.255.0
 inet6 addr: fe80::215:17ff:fe80:4350/64
Scope:Link
 UP BROADCAST RUNNING MULTICAST MTU:9000
Metric:1
 RX packets:3348411 errors:0 dropped:0
overruns:0 frame:0
 TX packets:2703578 errors:0 dropped:0
overruns:0 carrier:0
 collisions:0 txqueuelen:1000
 RX bytes:10647052076 (9.9 GiB) TX
bytes:11209177325 (10.4 GiB)
 Memory:d5ee0000-d5f00000
```

## Konfigurieren des Hostzugriffs auf Volumes

In diesem Abschnitt finden Sie Informationen zur Konfiguration des Hostzugriffs auf iSCSI-Datenträger mithilfe des `iscsiadm`-Tools. Bei `iscsiadmin` handelt es sich um das Open-iSCSI-Administrationsprogramm.

- 1 Melden Sie sich als **root**-Benutzer beim System an. Vergewissern Sie sich, dass die open-iSCSI-Initiatorsoftware auf allen Hostsystemen installiert wurde:

```
rpm -qa|grep -i iscsi-initiator
```

Wenn das open-iSCSI-Initiator-RPM installiert ist, wird die folgende Meldung ausgegeben:

```
iscsi-initiator-utils-6.2.0.868-0.7.el5
```

Wenn die Meldung nicht angezeigt wird, installieren Sie das open-iSCSI-Initiator-RPM.

- 2 Starten Sie den iSCSI-Dienst.  
`service iscsi start`

- 3 Aktivieren Sie den iSCSI-Dienst für Autostart beim Hochfahren des Systems.

```
hkconfig --add iscsi
chkconfig iscsi on
chkconfig --list iscsi
```

- 4 Sie benötigen die Hardwareadresse jeder Netzwerkschnittstelle auf dem Host, die für iSCSI-Datenverkehr verwendet wird.

```
grep -i hwaddr /etc/sysconfig/network-
scripts/ifcfg-ethn,
n = die Netzwerkschnittstellenummer.
```

- 5 Erstellen Sie eine Schnittstelle für jede Netzwerkschnittstelle auf dem Host, die für iSCSI-Datenverkehr verwendet wird.

```
iscsiadm -m iface -I iface_name --op=new,
iface_name = der Name, der der Schnittstelle zugewiesen ist.
iscsiadm -m iface -I iface_name --op=update -n
iface.hwaddress -v hardware_address
hardware_address = die Hardwareadresse der Schnittstelle aus Schritt 4.
Mit den folgenden Befehlen wird zum Beispiel eine Schnittstelle namens
eth0-iface für die Schnittstelle eth0 erstellt, deren Hardwareadresse
00:18:8B:4E:E6:CC lautet:
```

```
iscsiadm -m iface -I eth0-iface --op=new
Die neue Schnittstelle eth0-iface wird hinzugefügt.
iscsiadm -m iface -I eth0-iface --op=update -n
iface.hwaddress -v 00:18:8B:4E:E6:CC
eth0-iface updated
```

- 6 Vergewissern Sie sich, dass die Schnittstellen erstellt und korrekt zugewiesen wurden:

```
iscsiadm -m iface
```

- 7 Ändern Sie die CHAP-Informationen in `/etc/iscsi/iscsid.conf` auf dem Host.

```
node.session.auth.username = Benutzername
node.session.auth.password = Kennwort
discovery.sendtargets.auth.username = Benutzername
discovery.sendtargets.auth.password = Kennwort
Benutzername ist der CHAP-Benutzername, der im EqualLogic-Speicher
definiert ist, Kennwort ist das CHAP-Kennwort, das im EqualLogic-
Speicher definiert ist
```

- 8 Starten Sie den iSCSI-Dienst neu, damit die neue Konfiguration wirksam wird.

```
service iscsi stop
service iscsi start
```

- 9 Führen Sie eine Erkennung der Ziele von allen **ifaces** (Schnittstellen) durch, die in Schritt 5 erstellt wurden.

```
iscsiadm -m discovery -t st -p group_ip_address --
interface=iface_name1 --interface=iface_name2 --
interface=iface_name3 --interface=iface_name4,
```

dabei gilt: **group\_ip\_address** = die IP-Adresse der EqualLogic-Speichergruppe, **iface\_name1**, **iface\_name2**, **iface\_name3**, **iface\_name4** usw. = die Netzwerkschnittstellen (die in Schritt 5 auf dem für iSCSI-Datenverkehr verwendeten Hostsystem definiert werden).

Mit dem folgenden Befehl werden beispielsweise vier Volumes unter der Gruppen-IP-Adresse **10.16.7.100** erkannt, und zwar von einem Host mit zwei Schnittstellen mit den Namen **eth0-iface** und **eth1-iface**:

```
iscsiadm -m discovery -t st -p 10.16.7.100 --
interface=eth0-iface --interface=eth1-iface
10.16.7.100:3260,1 iqn.2001-05.com.equallogic:
0-8a0906-90ee59d02-e26f999767b4942e-mdi-ocr-css-
spfile
10.16.7.100:3260,1 iqn.2001-05.com.equallogic:
0-8a0906-90ee59d02-e26f999767b4942e-mdi-ocr-css-
spfile
10.16.7.100:3260,1 iqn.2001-05.com.equallogic:
0-8a0906-93ee59d02-674f999767d4942e-mdi-data1
10.16.7.100:3260,1 iqn.2001-05.com.equallogic:
0-8a0906-93ee59d02-674f999767d4942e-mdi-data1
10.16.7.100:3260,1 iqn.2001-05.com.equallogic:
0-8a0906-95ce59d02-2e0f999767f4942e-mdi-data2
10.16.7.100:3260,1 iqn.2001-05.com.equallogic:
0-8a0906-95ce59d02-2e0f999767f4942e-mdi-data2
10.16.7.100:3260,1 iqn.2001-05.com.equallogic:
0-8a0906-97be59d02-d7ef99976814942e-mdi-fral
10.16.7.100:3260,1 iqn.2001-05.com.equallogic:
0-8a0906-97be59d02-d7ef99976814942e-mdi-fral
```

- 10** Vergewissern Sie sich, dass alle Volumes von allen **ifaces** (Schnittstellen) auf dem Hostsystem erkannt werden: `iscsiadm -m discovery --print=1`

Beispiel:

```
iscsiadm -m discovery --print=1
```

SENDTARGETS:

```
DiscoveryAddress: 10.16.7.100,3260
Target: iqn.2001-05.com.equallogic:0-8a0906-
90ee59d02-e26f999767b4942e-mdi-ocr-css-spfile
Portal: 10.16.7.100:3260,1
Iface Name: eth0-iface
Iface Name: eth1-iface
```

```
Target: iqn.2001-05.com.equallogic:0-8a0906-
93ee59d02-674f999767d4942e-mdi-data1
Portal: 10.16.7.100:3260,1
Iface Name: eth0-iface
Iface Name: eth1-iface
```

```
Target: iqn.2001-05.com.equallogic:0-8a0906-
95ce59d02-2e0f999767f4942e-mdi-data2
Portal: 10.16.7.100:3260,1
Iface Name: eth0-iface
Iface Name: eth1-iface
```

```
Target: iqn.2001-05.com.equallogic:0-8a0906-
97be59d02-d7ef99976814942e-mdi-fra1
Portal: 10.16.7.100:3260,1
Iface Name: eth0-iface
Iface Name: eth1-iface
```

iSNS:

No targets found.

STATIC:

No targets found.

- 11** Melden Sie sich an allen Zielen (Datenträgern) von jeder in Schritt 5 erstellten Schnittstelle aus an:

```
iscsiadm -m node -p group_ip_address --interface
iface_name --login,
```

dabei gilt: **group\_ip\_address** = die IP-Adresse der EqualLogic-Speichergruppe und **iface\_name** = die Netzwerkschnittstelle (die in Schritt 5 auf dem für iSCSI-Datenverkehr verwendeten Hostsystem definiert wird).

Im folgenden Beispiel erfolgt die Anmeldung an drei Volumes von jeder der zwei **ifaces** (**eth0-iface** und **eth1-iface**) auf einem Host.

```
iscsiadm -m node -p 10.16.7.100 --interface
eth0-iface --login
```

```
Logging in to [iface: eth0-iface, target:
iqn.2001-05.com.equallogic:0-8a0906-90ee59d02-
e26f999767b4942e-mdi-ocr-css-spfile, portal:
10.16.7.100,3260]
```

```
Logging in to [iface: eth0-iface, target:
iqn.2001-05.com.equallogic:0-8a0906-95ce59d02-
2e0f999767f4942e-mdi-data2, portal:
10.16.7.100,3260]
```

```
Logging in to [iface: eth0-iface, target:
iqn.2001-05.com.equallogic:0-8a0906-93ee59d02-
674f999767d4942e-mdi-data1, portal:
10.16.7.100,3260]
```

```
Logging in to [iface: eth0-iface, target:
iqn.2001-05.com.equallogic:0-8a0906-97be59d02-
d7ef99976814942e-mdi-fral, portal:
10.16.7.100,3260]
```

```
Login to [iface: eth0-iface, target: iqn.2001-
05.com.equallogic:0-8a0906-90ee59d02-
e26f999767b4942e-mdi-ocr-css-spfile, portal:
10.16.7.100,3260]: successful
```

```
Login to [iface: eth0-iface, target: iqn.2001-
05.com.equallogic:0-8a0906-95ce59d02-
2e0f999767f4942e-mdi-data2, portal:
10.16.7.100,3260]: successful
```

```
Login to [iface: eth0-iface, target: iqn.2001-05.com.equallogic:0-8a0906-93ee59d02-674f999767d4942e-mdi-data1, portal: 10.16.7.100,3260]: successful

Login to [iface: eth0-iface, target: iqn.2001-05.com.equallogic:0-8a0906-97be59d02-d7ef99976814942e-mdi-fral, portal: 10.16.7.100,3260]: successful

iscsiadm -m node -p 10.16.7.100 --interface eth1-iface --login

Logging in to [iface: eth1-iface, target: iqn.2001-05.com.equallogic:0-8a0906-90ee59d02-e26f999767b4942e-mdi-ocr-css-spfile, portal: 10.16.7.100,3260]

Logging in to [iface: eth1-iface, target: iqn.2001-05.com.equallogic:0-8a0906-95ce59d02-2e0f999767f4942e-mdi-data2, portal: 10.16.7.100,3260]

Logging in to [iface: eth1-iface, target: iqn.2001-05.com.equallogic:0-8a0906-93ee59d02-674f999767d4942e-mdi-data1, portal: 10.16.7.100,3260]

Logging in to [iface: eth1-iface, target: iqn.2001-05.com.equallogic:0-8a0906-97be59d02-d7ef99976814942e-mdi-fral, portal: 10.16.7.100,3260]

Login to [iface: eth1-iface, target: iqn.2001-05.com.equallogic:0-8a0906-90ee59d02-e26f999767b4942e-mdi-ocr-css-spfile, portal: 10.16.7.100,3260]: successful

Login to [iface: eth1-iface, target: iqn.2001-05.com.equallogic:0-8a0906-95ce59d02-2e0f999767f4942e-mdi-data2, portal: 10.16.7.100,3260]: successful
```

```
Login to [iface: eth1-iface, target: iqn.2001-05.com.equallogic:0-8a0906-93ee59d02-674f999767d4942e-mdi-data1, portal: 10.16.7.100,3260]: successful
```

```
Login to [iface: eth1-iface, target: iqn.2001-05.com.equallogic:0-8a0906-97be59d02-d7ef99976814942e-mdi-fra1, portal: 10.16.7.100,3260]: successful
```

- 12 Zeigen Sie alle aktiven Verbindungen und Sitzungen an und überprüfen Sie sie:  
`iscsiadm -m session -i`
- 13 Überprüfen Sie, ob die Partitionen im Betriebssystem angezeigt werden:  
`cat /proc/partitions`
- 14 Wiederholen Sie Schritt 1 bis Schritt 13 auf allen anderen Hosts im Cluster.

### Konfiguration von Device Mapper Multipath für Volumes

- 1 Führen Sie den Befehl `/sbin/scsi_id` für die für Oracle erstellten Geräte aus, um deren eindeutige Bezeichner zu erhalten:

```
/sbin/scsi_id -gus /block/<Gerät>
```

Beispiel:

```
scsi_id -gus /block/sda
```

- 2 Heben Sie die Kommentierung des folgenden Abschnitts in `/etc/multipath.conf` auf.

```
blacklist {
 wwid 26353900f02796769
 devnode "^(ram|raw|loop|fd|md|dm-|sr|scd|st)[0-9]*"
 devnode "^hd[a-z]"
}
```

- 3** Heben Sie die Kommentierung des folgenden Abschnitts in `/etc/multipath.conf` auf.

```
defaults {
 udev_dir /dev
 polling_interval 10
 selector "round-robin 0"
 path_grouping_policy multibus
 getuid_callout "/sbin/scsi_id -g -u -s
/block/%n"
 prio_callout /bin/true
 path_checker readsector0
 rr_min_io 100
 max_fds 8192
 rr_weight priorities
 failback immediate
 no_path_retry fail
 user_friendly_names yes
}
```

- 4** Fügen Sie den nachstehenden Abschnitt in `/etc/multipath.conf` ein. Die **WWID** wird von Schritt 1 bezogen. Stellen Sie sicher, dass die Aliasnamen auf allen Hosts im Cluster konsistent sind.

```
multipaths {
 multipath {
 wwid WWID_von_Volume1
 alias Alias_von_Volume1
 }
 multipath {
 wwid WWID_von_Volume2
 alias Alias_von_Volume2
 }
}
```

(Fügen Sie einen multipath-Teilabschnitt für jedes weitere Volume hinzu.)

```
}
```

Das folgende Beispiel enthält die Konfigurationen von vier Volumes.

```
multipaths {
 multipath {
 wwid 36090a028d059ee902e94b4
6797996fe2
 alias ocr-css-spfile
 }
 multipath {
 wwid 36090a028d059ee932e94d4
6797994f67
 alias data1
 }
 multipath {
 wwid 36090a028d059ce952e94f4
6797990f2e
 alias data2
 }
 multipath {
 wwid 36090a028d059be972e9414
689799efd7
 alias fra1
 }
}
```

- 5 Starten Sie den Multipath-Daemon neu und vergewissern Sie sich, dass die Aliasnamen in der **multipath -ll**-Ausgabe angezeigt werden.

```
service multipathd restart
multipath -ll
```

Beispiel:

```
fra1 (36090a028d059be972e9414689799efd7) dm-13
EQLOGIC,100E-00
[size=5.0G][features=1
queue_if_no_path][hwhandler=0]
_ round-robin 0 [prio=0][enabled]
_ 96:0:0:0 sds 65:32 [active][ready]
_ 92:0:0:0 sdab 65:176 [active][ready]
```

```

ocr-css-spfile
(36090a028d059ee902e94b46797996fe2) dm-11
EQLOGIC,100E-00
[size=2.0G][features=1
queue_if_no_path][hwhandler=0]
_ round-robin 0 [prio=0][enabled]
_ 93:0:0:0 sdf 8:80 [active][ready]
_ round-robin 0 [prio=0][enabled]
_ 86:0:0:0 sdad 65:208 [active][ready]

data2 (36090a028d059ce952e94f46797990f2e) dm-8
EQLOGIC,100E-00
[size=20G][features=1
queue_if_no_path][hwhandler=0]
_ round-robin 0 [prio=0][enabled]
_ 97:0:0:0 sdc 8:32 [active][ready]
_ 98:0:0:0 sdd 8:48 [active][ready]

data1 (36090a028d059ee932e94d46797994f67) dm-18
EQLOGIC,100E-00
[size=20G][features=1
queue_if_no_path][hwhandler=0]
_ round-robin 0 [prio=0][enabled]
_ 95:0:0:0 sdq 65:0 [active][ready]
_ 89:0:0:0 sdac 65:192 [active][ready]

```

- 6** Vergewissern Sie sich, dass die `/dev/mapper/*`-Geräte erstellt wurden. Diese Gerätenamen sollten für den Zugriff und die Interaktion mit den Multipath-Geräten in den nachfolgenden Abschnitten verwendet werden.

Beispiel:

```

ls -lt /dev/mapper/*

crw----- 1 root root 10, 63 Dec 15 11:22
/dev/mapper/control
brw-rw---- 1 root disk 253, 18 Dec 15 11:51
/dev/mapper/data1
brw-rw---- 1 root disk 253, 8 Dec 15 13:47
/dev/mapper/data2
brw-rw---- 1 root disk 253, 13 Dec 15 11:51
/dev/mapper/fral

```

```
brw-rw---- 1 root disk 253, 11 Dec 15 11:51
/dev/mapper/ocr-css-spfile
brw-rw---- 1 root disk 253, 6 Dec 15 11:22
/dev/mapper/osvg-crs
brw-rw---- 1 root disk 253, 3 Dec 15 11:22
/dev/mapper/osvg-home
brw-rw---- 1 root disk 253, 4 Dec 15 11:22
/dev/mapper/osvg-opt
brw-rw---- 1 root disk 253, 0 Dec 15 11:22
/dev/mapper/osvg-root
brw-rw---- 1 root disk 253, 7 Dec 15 11:22
/dev/mapper/osvg-swap
brw-rw---- 1 root disk 253, 1 Dec 15 11:22
/dev/mapper/osvg-tmp
brw-rw---- 1 root disk 253, 2 Dec 15 11:22
/dev/mapper/osvg-usr
brw-rw---- 1 root disk 253, 5 Dec 15 11:22
/dev/mapper/osvg-var
```

- 7** Wiederholen Sie Schritt 1 bis Schritt 7 auf allen anderen Hosts im Cluster.

# Konfigurieren des Datenbankspeichers auf dem Hostsystem

 **WARNUNG:** Bevor Sie gemäß den in diesem Abschnitt beschriebenen Anleitungen vorgehen, lesen Sie zunächst die Sicherheitshinweise in der entsprechenden Dokumentation im Lieferumfang Ihres Systems. Ergänzende Informationen zur bestmöglichen Einhaltung der Sicherheitsrichtlinien finden Sie auf der Dell Website zur Einhaltung gesetzlicher Vorschriften unter [www.dell.com/regulatory\\_compliance](http://www.dell.com/regulatory_compliance).

Oracle® Real Application Clusters (RAC) ist eine komplexe Datenbankkonfiguration, die eine festgelegte Reihenfolge von Vorgehensweisen erfordert. In den folgenden Abschnitten wird das Überprüfen, Anpassen und Konfigurieren der Speicherlaufwerke für Fibre-Channel-, Direct-Attach-SAS- oder iSCSI-Speicher auf dem Host beschrieben.

## Überprüfen und Identifizieren Ihrer Speicherlaufwerke

Erstellen Sie bei der Clusterkonfiguration Partitionen auf dem Fibre-Channel-, Direct-Attach-SAS- oder iSCSI-Speichersystem. Um diese Partitionen erstellen zu können, müssen alle Clusterknoten die externen Speichergeräte erkennen.

 **ANMERKUNG:** Dieser Abschnitt erläutert die Vorgehensweise bei der Bereitstellung von Oracle Database für Direct-Attach-SAS-Speichersysteme und Fibre-Channel-Speichersysteme. In den folgenden Vorgehensweisen wird die Fibre-Channel-Speichernomenklatur verwendet. Wenn Sie Direct-Attach-SAS- oder iSCSI-Speichersysteme (Dell™ PowerVault™ MD3000/MD3000i oder Dell EqualLogic Speicherarray) verwenden, übersetzen Sie bitte die Fibre-Channel-Begriffe mithilfe von Tabelle 7-1 in die Direct-Attach-SAS- oder iSCSI-Terminologie.

**Tabelle 7-1. Terminologie für Fibre-Channel-, Direct-Attach SAS- und EqualLogic-Speicherarrays**

| <b>Fibre-Channel-Speicher</b> | <b>Direct-Attach-SAS oder iSCSI (MD3000/MD3000i)</b> | <b>EqualLogic-Array-Volumes</b> |
|-------------------------------|------------------------------------------------------|---------------------------------|
| LUNs                          | Virtuelle Laufwerke                                  | Volumes                         |
| /dev/emcpower(X)              | /dev/sd(X)                                           | /dev/sd(X)                      |
| PowerPath                     | Multipath-Treiber (MPIO)                             | Device Mapper                   |

So stellen Sie sicher, dass jeder Knoten sämtliche Speicher-LUNs oder logischen Laufwerke erkennt:

- 1 Vergewissern Sie sich beim Dell/EMC Fibre-Channel-Speichersystem, dass auf jedem Knoten EMC® Navisphere® Agent und die korrekte Version von PowerPath® installiert sind. Stellen Sie sicher, dass jeder Knoten der korrekten Speichergruppe innerhalb der EMC Navisphere-Software zugewiesen wurde. Eine Anleitung hierzu finden Sie in der Dokumentation zum Dell/EMC Fibre-Channel-Speichersystem.



**ANMERKUNG:** Wenn Sie den Cluster installieren oder die Software auf einem Knoten erneut installieren, müssen Sie Schritt 1 durchführen.

- 2 Überprüfen Sie, ob die Speichergeräte und die Knoten korrekt an den Fibre-Channel-Switch angeschlossen sind (siehe Abbildung 3-1 und Tabelle 3-1).
- 3 Überprüfen Sie, ob Sie als **root** angemeldet sind.
- 4 Geben Sie auf *jedem Knoten* folgenden Befehl ein:

```
more /proc/partitions
```

Der Knoten erkennt die LUNs oder logischen Laufwerke sowie die auf diesen externen Geräten vorhandenen Partitionen und zeigt sie an.



**ANMERKUNG:** Welche Geräte angezeigt werden, hängt von der Konfiguration des Speichersystems ab.

Eine Liste der vom Knoten erkannten LUNs oder logischen Datenträger wird angezeigt, außerdem die Partitionen, die auf diesen externen Geräten erstellt wurden. PowerPath-Pseudogeräte wie `/dev/emcpowera`, `/dev/emcpowerb` und `/dev/emcpowerc` werden in der Liste angezeigt. Bei einer Direct-Attach-SAS- oder iSCSI-Konfiguration werden die virtuellen Datenträger als `/dev/sdb`, `/dev/sdc` usw. angezeigt.

**5** Stellen Sie in der Datei `/proc/partitions` Folgendes sicher:

- Alle PowerPath-Pseudogeräte erscheinen in der Datei mit ähnlichen Gerätepfaden auf allen Knoten.  
Zum Beispiel `/dev/emcpowera`, `dev/emcpowerb` und `/dev/emcpowerc`.
- Bei einem PowerVault MD3000/MD3000i-Speichersystem oder dem EqualLogic-Speicherarray erscheinen alle virtuellen Laufwerke bzw. Volumes in der Datei mit ähnlichen Gerätepfaden auf allen Knoten.  
Beispiel: `/dev/sdb`, `/dev/sdc` und `/dev/sdd`
- Die logischen Volumes der externen Speichersysteme erscheinen als SCSI-Geräte und jeder Clusterknoten ist mit der gleichen Anzahl LUNs/virtueller Laufwerke oder Volumes konfiguriert. Wenn der Knoten zum Beispiel mit einem verbundenen SCSI-Laufwerk oder RAID-Container konfiguriert ist:

Bei einem Fibre-Channel-Speichergerät mit drei logischen Laufwerken:

- `sda` bezeichnet den RAID-Container oder das interne Laufwerk des Knotens
- `emcpowera`, `emcpowerb` und `emcpowerc` bezeichnen die LUNs (oder PowerPath-Pseudogeräte)

Bei einem Direct-Attach-SAS- oder iSCSI-Speichergerät mit drei virtuellen Laufwerken:

- `sda` bezeichnet den RAID-Container oder das interne Laufwerk des Knotens
- `sdb`, `sdc` und `sdd` bezeichnen die externen logischen Speichervolumes

**6** Wenn die externen Speichergeräte nicht in der Datei `/proc/partitions` aufgeführt sind, starten Sie den Knoten neu.

# Anpassen von Datenträgerpartitionen bei Systemen mit Linux-Betriebssystem

 **VORSICHTSHINWEIS:** Bei Systemen, die mit Linux betrieben werden, muss die Partitionstabelle angeglichen werden, bevor Daten auf die LUN/das virtuelle Laufwerk geschrieben werden. Die Partitionszuordnung wird neu erstellt und alle Daten auf der LUN /dem virtuellen Laufwerk werden zerstört.

## Beispiel: Parameter des Dienstprogramms fdisk

Das folgende Beispiel verdeutlicht die Parameter für das Dienstprogramm `fdisk`. Die LUN ist in diesem Beispiel `/dev/emcpowera` zugeordnet und die LUN-Streifenelementgröße beträgt 128 Blocks.

 **ANMERKUNG:** Der Datenträger `/dev/emcpowera` enthält in diesem Beispiel bereits eine primäre Partition `/dev/emcpowera1`. Bei den Speichersystemen PowerVault MD3000/MD3000i und dem EqualLogic-Speicherarray werden die Partitionen auf `/dev/sdb1` erstellt.

```
fdisk /dev/emcpowera
```

 **ANMERKUNG:** Erstellen Sie eine Partition auf `/dev/emcpowera`, bevor Sie die folgenden Schritte durchführen.

```
x # Expertenmodus
b # Startblocknummer anpassen
1 # Partition 1 auswählen
128 # auf 128 einstellen (Standardgröße bei Dell\EMC CX Serie
Fibre-Channel-Speicher)
w # Neue Partition schreiben
```

Bei LUNs mit einem Snapshot, Klon oder MirrorView-Image wird die Verwendung der `fdisk`-Methode anstatt des LUN-Angleichungsverfahrens empfohlen. Außerdem sollten Sie eine SAN-Kopie der Quellen und Ziele anlegen.

## Anpassen einer Datenträgerpartition mit dem Dienstprogramm **fdisk**

- 1** Geben Sie an der Eingabeaufforderung Folgendes ein:  
`fdisk <Partitionsname>`,  
wobei `<Partitionsname>` der Name der Partition ist, die angepasst werden soll.  
Wenn die Partition beispielsweise den Namen `/dev/emcpowera` hat, geben Sie Folgendes ein: `fdisk /dev/emcpowera`  
Das System zeigt die folgende Meldung an:  
The number of cylinders for this disk is set to 8782.  
There is nothing wrong with that, but this is larger than 1024, and could in certain setups cause problems with:  
1) software that runs at boot time (e.g., old versions of LILO)  
2) booting and partitioning software from other OSs (e.g., DOS FDISK, OS/2 FDISK)
- 2** Geben Sie an der Eingabeaufforderung folgenden Parameter für das Dienstprogramm **fdisk** ein: `x`
- 3** Geben Sie an der Eingabeaufforderung folgenden Parameter für das Dienstprogramm **fdisk** ein: `b`
- 4** Geben Sie die Partitionsnummer an der Eingabeaufforderung ein, sobald Sie dazu aufgefordert werden. Beispiel: `1`
- 5** Geben Sie den neuen Beginn des Datenbereichs auf der Datenträgerpartition an. Beispiel: `128`
- 6** Geben Sie an der Eingabeaufforderung folgenden Parameter für das Dienstprogramm **fdisk** ein: `w`  
Das System zeigt die folgende Meldung an:  
The partition table has been altered!  
Calling ioctl() to re-read partition table.  
Syncing disks.
- 7** Wiederholen Sie Schritt 1 bis Schritt 6 für alle Oracle Daten-LUNs.

# Konfiguration des gemeinsamen Speichers für Clusterware, Datenbank und Wiederherstellungsdateien in einer RAC-Umgebung

Konfigurieren Sie Festplatten mit dem ORACLEASM-Bibliothekstreiber für das automatische Speichermanagement (ASM). So konfigurieren Sie die ASM-Laufwerke:

- 1 Melden Sie sich als **root** beim System an.
- 2 Öffnen Sie ein Terminalfenster und führen Sie auf allen Knoten die folgenden Schritte durch:
  - a Geben Sie ein: `service oracleasm configure`.
  - b Machen Sie auf allen Knoten die folgenden Eingaben:  
`Default user to own the driver interface [ ]:grid`  
`Default group to own the driver interface [ ]:asmadmin`  
`Start Oracle ASM library driver on boot (y/n) [n]:y`  
`Fix permissions of Oracle ASM disks on boot (y/n) [y]:y`
- 3 Führen Sie diesen Schritt nur dann aus, wenn die RAC-Konfiguration einen EqualLogic iSCSI-Speicher und einen Linux Device Mapper Multipath-Treiber verwendet.
  - a Stellen Sie den Parameter `ORACLEASM_SCANORDER` in `/etc/sysconfig/oracleasm` auf `dm` ein.
  - b Starten Sie das System neu, um die Änderungen zu übernehmen.
- 4 Geben Sie auf dem ersten Knoten im Terminalfenster folgenden Befehl ein, und drücken Sie die <Eingabetaste>:  
`service oracleasm createdisk ASM1 /dev/emcpowerb1`  
`service oracleasm createdisk ASM2 /dev/emcpowerc1`
- 5 Wiederholen Sie Schritt 4 für weitere zu erstellende ASM-Datenträger.

- 6 Überprüfen Sie, ob die ASM-Datenträger erstellt wurden und für ASM-Verwendung gekennzeichnet sind. Geben Sie im Terminalfenster den folgenden Befehl ein, und drücken Sie die <Eingabetaste>:

```
service oracleasm listdisks
```

Die in Schritt 4 erstellten Laufwerke werden angezeigt. Beispiel:

```
ASM1
```

```
ASM2
```

- 7 Stellen Sie sicher, dass die übrigen Knoten auf die in Schritt 4 erstellten ASM-Laufwerke zugreifen können. Öffnen Sie auf jedem der übrigen Knoten ein Terminalfenster, geben Sie folgenden Befehl ein, und drücken Sie die <Eingabetaste>:

```
service oracleasm scandisks
```



# Stichwortverzeichnis

## A

Aliasnamen, 269

## B

Begriff

Gruppe, 255

Mitglied, 255

Pool, 255

Volume, 255

## D

Dell|EMC Fibre-Channel

Speicher, 239

Switch, 239

Domain Naming Service  
(DNS), 219

## E

EMC

Navisphere, 274

PowerPath, 274

Enterprise Linux, 216

Ethernet-Switch, 239

## F

Fibre-Channel

Direct-Attach-Konfiguration, 240

SAN-Attach-Konfiguration, 241

## G

Gebundenes Paar, 220

## H

Hilfe, 216

Dell Support, 216

Oracle-Support, 217

Hohe Verfügbarkeit, 221

## I

ifconfig, 220

IP-Adresse

Öffentliche IP-Adresse, 219

private IP-Adresse, 219

Virtuelle IP-Adresse, 219

## J

Jumbo Frame, 261

## **K**

- Kabel
  - CAT 5e, 239
  - CAT 6, 239

## **L**

- Logische Gerätenummer, 216

## **M**

- Modular Disk Storage Manager, 247
- MPIO-Software, 247
- MTU, 261

## **N**

- Netzwerkbündelung, 221
- Netzwerkparameter, 222
- NIC
  - Port-Zuordnungen, 219

## **P**

- PowerConnect-Switch, 256
- PowerPath-Pseudogeräte, 274

## **R**

- Resource-Medium
  - PowerVault MD3000, 247

## **S**

- SAS
  - Cluster-Einrichtung, 243, 249, 255, 273

## **V**

- Verbindungsüberwachung, 221
- Verkabelung
  - Fibre-Channel-Speicher, 240
  - iSCSI-Cluster, 250
- Virtueller Datenträger, 216
- Volumes, 259

## **Z**

- Zertifizierung und Schulung
  - Dell, 216
  - Oracle, 217

Dell™ PowerEdge™  
システム —  
Enterprise Linux® x86\_64  
で使用する Oracle®  
データベース  
ストレージ &  
ネットワークガイド  
バージョン 1.3

## メモ、注意、警告



**メモ**：コンピュータを使いやすいするための重要な情報を説明しています。



**注意**：手順に従わない場合は、ハードウェアの損傷やデータの損失の可能性を示しています。



**警告**：物的損害、けが、または死亡の原因となる可能性があることを示しています。

---

**本書の内容は予告なく変更されることがあります。**

**© 2010 すべての著作権は Dell Inc. にあります。**

Dell Inc. の書面による許可のない複製は、いかなる形態においても厳重に禁じられています。

本書に使用されている商標：Dell、DELL ロゴ、EqualLogic、Optiplex、PowerConnect、PowerEdge および PowerVault は Dell Inc. の商標です。Broadcom は Broadcom Corp の商標です。EMC、Navisphere および PowerPath は EMC Corporation の登録商標です。Intel は米国その他の国における Intel の登録商標です。Oracle は Oracle Corporation および / またはその関連会社の登録商標です。Red Hat および Red Hat Enterprise Linux は米国その他の国における Red Hat, Inc. の登録商標です。

商標または製品の権利を主張する事業体を表すためにその他の商標および社名が使用されていることがあります。それらの商標や会社名は、一切 Dell Inc. に帰属するものではありません。

# 目次

|   |                                                |            |
|---|------------------------------------------------|------------|
| 1 | 概要                                             | 289        |
|   | <b>Dell Oracle データベースの導入に必要な<br/>    マニュアル</b> | <b>289</b> |
|   | <b>本書で使用されている用語</b>                            | <b>290</b> |
|   | <b>困ったときは</b>                                  | <b>290</b> |
|   | デルサポート                                         | 290        |
|   | Oracle のサポート                                   | 291        |
| 2 | ネットワークの設定                                      | 293        |
|   | <b>パブリックネットワークの設定</b>                          | <b>294</b> |
|   | <b>ボンディングを使用したプライベ<br/>    ートネットワークの設定</b>     | <b>295</b> |
|   | <b>ユーザー等価のセットアップ</b>                           | <b>297</b> |
|   | ssh の設定                                        | 297        |
|   | <b>IP アドレスと名前を解決するための要件</b>                    | <b>298</b> |
|   | GNS を使用するクラスタの場合                               | 298        |
|   | DNS を使用するクラスタの場合                               | 301        |
|   | <b>IPMI を有効にする</b>                             | <b>303</b> |
|   | IPMI を有効にするための前提条件                             | 303        |
|   | Open IPMI ドライバの設定                              | 304        |
|   | IPMItool を使用した BMC の設定                         | 305        |

|   |                                                                        |     |
|---|------------------------------------------------------------------------|-----|
| 3 | ファイバーチャネルクラスタの<br>セットアップ .....                                         | 311 |
|   | ファイバーチャネルクラスタ用のハード<br>ウェアの接続 .....                                     | 311 |
|   | ファイバーチャネルストレージシステム<br>のケーブル接続 .....                                    | 313 |
|   | 直接接続ファイバーチャネルの構成 .....                                                 | 313 |
|   | SAN 接続ファイバーチャネルの構成 .....                                               | 314 |
| 4 | Dell PowerVault MD3000/MD1000<br>拡張エンクロージャ用の SAS ク<br>ラスタのセットアップ ..... | 317 |
|   | ハードウェアのセットアップ .....                                                    | 319 |
|   | ホストベースのストレージソフトウェアの<br>インストール .....                                    | 321 |
|   | ファームウェアの確認とアップグレード .....                                               | 321 |
|   | SAS 5/E アダプタドライバのインストール .....                                          | 322 |
|   | インストール後の作業 .....                                                       | 322 |

|   |                                                                        |     |
|---|------------------------------------------------------------------------|-----|
| 5 | Dell™ PowerVault™ MD3000i /<br>MD1000 ストレージエンクロージャ用の iSCSI クラスタのセットアップ | 323 |
|   | ハードウェアのセットアップ                                                          | 325 |
|   | ストレージに必要なホストベースソフトウェアのインストール                                           | 328 |
|   | ファームウェアの確認とアップグレード                                                     | 328 |
|   | インストール後のタスク                                                            | 328 |
| 6 | Dell EqualLogic PS シリーズのストレージシステム用の iSCSI クラスタのセットアップ                  | 329 |
|   | EqualLogic の用語                                                         | 329 |
|   | EqualLogic iSCSI ストレージシステムのセットアップ                                      | 330 |
|   | ボリュームの作成                                                               | 333 |
|   | iSCSI ネットワークの設定                                                        | 335 |
|   | ホストからボリュームへのアクセスの設定                                                    | 336 |

|   |                                                               |            |
|---|---------------------------------------------------------------|------------|
| 7 | ホストのデータベースストレージ（記憶域）の設定 .....                                 | 347        |
|   | <b>ストレージディスクの検証と識別</b> .....                                  | <b>347</b> |
|   | <b>Linux システム用のディスクパーティションの調整</b> .....                       | <b>350</b> |
|   | 例：fdisk ユーティリティの引数 .....                                      | 350        |
|   | ディスクパーティションの調整に<br>fdisk ユーティリティを使用する方法 .....                 | 351        |
|   | <b>RAC 環境におけるクラスタウェア、データベース、およびリカバリファイル用の共有ストレージの設定</b> ..... | <b>352</b> |
|   | <br>索引 .....                                                  | <br>355    |

## 概要

本書は、Red Hat® Enterprise Linux® または Oracle® Enterprise Linux をインストールしたシステムで Dell|Oracle データベースを実行するためのネットワークとストレージの要件を概説したものです。本書の説明は、Red Hat Enterprise Linux または Oracle Enterprise Linux 5.3 AS x86\_64 上で使用されている Oracle Database 11g R2 に適用されます。お使いのシステムでサポートされているネットワークとストレージの構成のリストについては、[dell.com/oracle](http://dell.com/oracle) にアクセスし、**Dell™ Validated Components** (Dell 承認のコンポーネント) を選択してください。

## Dell|Oracle データベースの導入に必要なマニュアル



**メモ：**以下のマニュアルは [support.dell.com/manuals](http://support.dell.com/manuals) から入手できます。

- 『Dell PowerEdge システム — Enterprise Linux x86\_64 で使用する Oracle データベース — OS のインストールとハードウェアの取り付けガイド』では、最低限必要なソフトウェアとハードウェアのバージョン、OS のインストールと設定の方法、ハードウェアとソフトウェアの構成を確認する方法、オープンソースファイルの入手方法について説明しています。
- 『Dell PowerEdge システム — Enterprise Linux x86\_64 で使用する Oracle データベース — ストレージ & ネットワークガイド』では、ネットワークとストレージソリューションの設置と設定の方法について説明しています。
- 『Dell PowerEdge システム — Enterprise Linux x86\_64 で使用する Oracle データベース — データベースセットアップ & インストールガイド』では、Oracle データベースのインストールと設定の方法について説明しています。
- 『Dell PowerEdge システム — Enterprise Linux x86\_64 で使用する Oracle データベース — トラブルシューティングガイド』では、前の分冊で説明されているインストール手順中に発生するエラーの解決方法について説明しています。



**メモ：**各分冊のいずれにも、デルのテクニカルサポートを利用する方法が記されています。

## 本書で使用されている用語

本書では、「LUN」と「仮想ディスク」は同義語として使われています。「LUN」は、Dell/EMC ファイバーチャネルストレージシステムの環境で通常使われる用語です。「仮想ディスク」は、Dell PowerVault™ シリアル接続 SCSI (SAS) (PowerVault MD3000/MD3000i + PowerVault MD1000 拡張) または Dell EqualLogic iSCSI ストレージ環境で通常使われる用語です。



**メモ**：本書で使われている「Enterprise Linux」という用語は、特に説明のない限り、Red Hat Enterprise Linux と Oracle Enterprise Linux の両方に適用されます。

## 困ったときは

### デルサポート

- システムの詳しい使い方については、システムコンポーネントに付属のマニュアルを参照してください。
- 各種のホワイトペーパー、デルがサポートする設定、一般情報については、**dell.com/oracle** を参照してください。
- ハードウェアと OS ソフトウェアに対するデルのテクニカルサポート、およびアップデートのダウンロードについては、**support.dell.com/manuals** を参照してください。
- デルへのお問い合わせについては、『Dell PowerEdge システム — Enterprise Linux x86\_64 で使用する Oracle データベース — トラブルシューティングガイド』を参照してください。このガイドは **support.dell.com/manuals** から入手できます。
- デルでは、企業向けのトレーニングと資格認証を実施しております。詳細については、**dell.com/training** を参照してください。なお、トレーニングサービスを提供していない地域がありますのでご了承ください。
- Oracle のインストールと設定については、**support.dell.com/manuals** で『Dell PowerEdge システム — Enterprise Linux x86\_64 で使用する Oracle データベース — データベースセットアップ & インストールガイド』を参照してください。

## Oracle のサポート

- Oracle ソフトウェアおよびアプリケーションクラスタウェアのトレーニング、および Oracle へのお問い合わせの方法については、**oracle.com** または Oracle のマニュアルを参照してください。
- テクニカルサポート、ダウンロード、その他の技術情報については、**metalink.oracle.com** を参照してください。



# ネットワークの設定

本項では、パブリックおよびプライベートクラスタのネットワークを設定する方法について説明します。



**メモ：**ネットワークの各ノードには、固有のパブリックおよびプライベート IP アドレスを設定する必要があります。クライアント接続および接続のフェイルオーバーのために、仮想 IP アドレスとしての機能を果たす追加のパブリック IP アドレスが必要です。したがって、各ノードに合計 3 つの IP アドレスが必要です。仮想 IP アドレスはパブリック IP と同じサブネットに属していなければなりません。仮想 IP アドレスを含むすべてのパブリック IP アドレスは、ドメインネームシステム (DNS) に登録する必要があります。ルータブルでなければなりません。詳細については、298 ページの「IP アドレスと名前を解決するための要件」を参照してください。

利用可能な NIC ポートの数に応じて、表 2-1 に示すとおりインタフェースを設定します。

表 2-1. NIC のポート割り当て

| NIC ポート | 利用可能なポート                                    |
|---------|---------------------------------------------|
| 1       | パブリック IP、仮想 IP、およびシングルクライアントアクセス名 (SCAN) IP |
| 2       | プライベート IP (ボンディング済み)                        |
| 3       | プライベート IP (ボンディング済み)                        |

## パブリックネットワークの設定

 **メモ**：パブリック IP アドレスが有効でルータブルな IP アドレスであることを確認してください。

 **メモ**：プライベートネットワーク用の 2 個のボンディング済み NIC ポートは、それぞれ別々の PCI バス上に置かれている必要があります。たとえば、ボンディング済みのペアは、1 枚のオンボード NIC カードと 1 枚のアドオン NIC カードで構成される場合があります。

各ノードのパブリックネットワークを設定するには、次の手順を実行します。

- 1 **root** としてログインします。
- 2 ネットワークデバイスファイル **/etc/sysconfig/network-scripts/ifcfg-eth#** を編集します。# はネットワークデバイスの番号です。

 **メモ**：Gateway アドレスがパブリックネットワークインタフェース用に設定されていることを確認します。Gateway アドレスが設定されていない場合は、グリッドのインストールが失敗するおそれがあります。

```
DEVICE=eth0
ONBOOT=yes
IPADDR=<パブリック IP アドレス>
NETMASK=<サブネットマスク>
BOOTPROTO=static
HWADDR=<MAC アドレス>
SLAVE=no
GATEWAY=<ゲートウェイアドレス>
```

- 3 **/etc/sysconfig/network** ファイルを編集し、必要に応じて、**localhost.localdomain** を修飾パブリックノード名に変えます。たとえば、ノード 1 のコマンドは次のようになります。  
`hostname=nodel.domain.com`
- 4 `service network restart` と入力してネットワークサービスを再起動します。
- 5 `ifconfig` と入力し、IP アドレスが正しく設定されていることを確認します。

- 6 ネットワークの設定をテストするには、クラスタに属していない LAN のクライアントから各パブリック IP アドレスに対して ping を実行します。
- 7 各ノードに接続して、パブリックネットワークが機能していることを確認します。ssh <パブリック IP> と入力して、**セキュアシェル (ssh)** コマンドが機能していることを確認します。

## ボンディングを使用したプライベートネットワークの設定

クラスタを導入する前に、プライベートクラスタネットワークを設定し、ノード間で通信できるようにします。このためには、ネットワークボンディングを設定して、プライベート IP アドレスとホスト名をクラスタ内の各ノードに割り当てます。

Broadcom<sup>®</sup> または Intel<sup>®</sup> の NIC でネットワークボンディングを行い、各ノードでプライベートネットワークを設定するには、次の手順を実行します。

- 1 **root** としてログインします。
- 2 **/etc/modprobe.conf** ファイルに、次の行を追加します。  
alias bond0 bonding
- 3 可用性を高めるためには、**/etc/modprobe.conf** ファイルを編集して、**リンク監視**オプションを設定します。  
**miimon** のデフォルト値は **0** です。デフォルト値では、リンクの監視は行われません。まず、値を **100** ミリ秒に変更しておき、必要に応じて、リンク監視の値を調整してパフォーマンスを改善します。たとえば、次のように入力します。

```
options bonding miimon=100 mode=6 max_bonds=2
```

- 4 **/etc/sysconfig/network-scripts/** ディレクトリで、**ifcfg-bond0** 設定ファイルを作成または編集します。  
たとえば、サンプルネットワークのパラメータを使った場合、ファイルは次のようになります。

```
DEVICE=bond0
IPADDR=192.168.0.1
NETMASK=255.255.255.0
NETWORK=192.168.0.0
BROADCAST=192.168.0.255
ONBOOT=yes
BOOTPROTO=none
USERCTL=no
```

**NETMASK**、**NETWORK**、および **BROADCAST** の入力はオプションです。

**DEVICE=bondn** はボンドに必須の名前です。n はボンドの番号を表します。**IPADDR** はプライベート IP アドレスです。

**bond0** を仮想デバイスとして使用するには、スレーブとしてボンディングされるデバイスを指定する必要があります。

- 5 ボンドの各メンバーデバイスについて、次の手順を実行します。
  - a **/etc/sysconfig/network-scripts/** ディレクトリで、**ifcfg-ethn** ファイルを次のように編集します。

```
DEVICE=ethn
HWADDR=<MAC アドレス >
ONBOOT=yes
TYPE=Ethernet
USERCTL=no
MASTER=bond0
SLAVE=yes
BOOTPROTO=none
```

- b `service network restart` と入力し、表示される警告はすべて無視します。

- 6 各ノードで `ifconfig` と入力して、プライベートインタフェースが機能していることを確認します。  
ノードのプライベート IP アドレスはプライベートインタフェース **bond0** に割り当てる必要があります。

- 7 各ノードにプライベート IP アドレスをすべて設定したら、1つのノードから各 IP アドレスを ping して、プライベートネットワークが機能していることを確認します。
- 8 各ノードに接続します。次のように入力して、プライベートネットワークとセキュアシェル (**ssh**) が正しく機能していることを確認します。  
ssh <プライベート IP>

## ユーザー等価のセットアップ

### ssh の設定

- 1 プライマリノードで、**root** としてログインします。
- 2 **sshsetup** フォルダの下の Grid バイナリフォルダ内にある **sshUserSetup.sh** スクリプトを実行します。

```
sh sshUserSetup.sh -hosts "host1 host2" -user grid
-advanced
```

```
sh sshUserSetup.sh -hosts "host1 host2" -user
oracle -advanced
```

host1 と host2 はクラスタノード名です。

手順 2 を完了したら、グリッド上のその他のノードで **ssh** を設定し、Oracle ユーザーとしてログインすることができます。ログイン中にパスワードの入力が求められることはありません。

# IP アドレスと名前を解決するための要件

## GNS を使用するクラスタの場合

Oracle Global Naming Server (GNS) を使用して Oracle 11g R2 RAC をセットアップするための基本要件は、以下のとおりです。

- 各ノードで少なくとも 2 つのインタフェース（プライベート IP アドレス用とパブリック IP アドレス用）が設定されていること。
- GNS の仮想 IP アドレスのアドレス解決のために、ネットワーク内でドメインネームサーバー（DNS）が実行されていること。
- サブドメインの DNS 解決をクラスタにダイレクトするための DNS 参照を確立する DNS エントリがあること。
- クラスタのパブリックネットワーク上で DHCP サービスが実行されていること。
- 各ノードの仮想 IP に 1 つの IP アドレスを、SCAN が使用するクラスタ用に 3 つの IP アドレスを提供するために、DHCP に十分なアドレスがあること。

1 つのクラスタ内のさまざまなインタフェース、IP アドレスの設定、および解決を表 2-2 に示します。

**表 2-2. GNS を使用したクラスタ内の IP アドレス設定**

| インタフェース     | タイプ  | 解決         |
|-------------|------|------------|
| パブリック       | 静的   | /etc/hosts |
| プライベート      | 静的   | 不要         |
| ノードの仮想 IP   | DHCP | GNS        |
| GNS の仮想 IP  | 静的   | DNS        |
| SCAN の仮想 IP | DHCP | GNS        |

## DNS サーバーの設定

GNS を使用して DNS サーバーを設定するには、以下の手順を実行します。

- 1 DNS サーバーの GNS VIP アドレスを設定する — DNS で、前方参照ファイル内に GNS 仮想 IP アドレス用の名前解決エントリを作成します。

たとえば、次のとおりです。`gns-server IN A 192.0.2.2`

`gns-server` は、グリッドのインストール中に与えた GNS 仮想 IP アドレスです。与えるアドレスはルータブルで、パブリックレンジ内にある必要があります（例：192.0.2.2）。

- 2 GNS サブドメインの委任を設定する — DNS 内で、GNS サブドメインの DNS 解決をクラスタにダイレクトする DNS 参照を確立するためのエントリを作成します。DNS 参照ファイルに以下を追加します。

```
clusterdomain.example.com.NS gns-server.example.com.
```

`clusterdomain.example.com` が委任する GNS サブドメイン（グリッドのインストール中に与えたもの）で、`gns-server.clustertype.com` が GNS 仮想 IP アドレスを解決します。

## DNS クライアントの設定

DNS クライアントの設定は次の手順で行います。

- 1 `/etc/hosts` ファイルのドメイン名内にホストエントリを追加します。各ノードで、`/etc/hosts` ファイルに以下のように入力して各行を修正します。

```
127.0.0.1 localhost.localdomain localhost
```

```
<パブリック IP node1> <完全修飾ホスト名 node1>
```

```
<パブリックホスト名 node1>
```

```
<パブリック IP node2> <完全修飾ホスト名 node2>
```

```
<パブリックホスト名 node2>
```

- 2 クラスタ内のすべてのノードで、**resolv.conf** ファイルを編集して DNS サーバーに対して解決可能なネームサーバーエントリを含めます。

たとえば、**/etc/resolv.conf** ファイルを次のように編集します。

```
options attempts: 2
options timeout: 1
search clusterdomain.example.com example.com
nameserver 192.0.2.1
nameserver 192.0.2.2
```

 **メモ**：合計タイムアウト期間（options attempts と options timeout の和）は、30 秒未満に設定する必要があります。

192.0.2.1 はネットワーク内の有効な DNS サーバーアドレス、  
192.0.2.2 はネットワーク内の GNS 仮想 IP アドレス、  
clusterdomain.example.com は GNS サブドメインです。

- 3 設定の順序を確認します。**/etc/nsswitch.conf** はネームサービスの参照順序を制御します。

システム構成によっては、NIS（Network Information System）が原因で Oracle SCAN のアドレス解決に問題が発生する場合があります。NIS エントリを検索リストの最後に置くことをお勧めします。たとえば、hosts: files dns nis のような順序にします。

## DNS を使用するクラスタの場合

Oracle DNS を使用して（GNS を使用せずに）Oracle 11g R2 RAC をセットアップするための基本要件は、以下のとおりです。

- 1 各ノードで少なくとも 2 つのインタフェース（プライベート IP アドレス用とパブリック IP アドレス用）が設定されていること。
- 2 ラウンドロビン解決のために DNS 上で SCAN 名が 3 つのアドレス（推奨）または少なくとも 1 つのアドレスに設定されていること。  
SCAN アドレスは、仮想 IP アドレスおよびパブリック IP アドレスと同じサブネット上に設定されている必要があります。



**メモ：**可用性とスケーラビリティを高めるために、Oracle では、3 つの IP アドレスに対してラウンドロビン解決を使用するように SCAN を設定することをお勧めしています。SCAN 用の名前は先頭を数字にできません。インストールを成功させるには、SCAN が少なくとも 1 つのアドレスを解決するように設定しておく必要があります。

1 つのクラスタ内のさまざまなインタフェース、IP アドレスの設定、および解決を表 2-3 に示します。

**表 2-3. DNS を使用したクラスタ内の IP アドレス設定**

| インタフェース     | タイプ | 解決                 |
|-------------|-----|--------------------|
| パブリック       | 静的  | /etc/hosts または DNS |
| プライベート      | 静的  | 不要                 |
| ノードの仮想 IP   | 静的  | /etc/hosts または DNS |
| SCAN の仮想 IP | 静的  | DNS                |

## DNS サーバーの設定

DNS を使用して（GNS を使用せずに）Oracle 11g R2 クラスタ用に DNS サーバーに変更を設定するには、次の手順を実行します。

- 1 DNS サーバー上で SCAN 名解決を設定します。DNS 内で、前方参照ファイル内に GNS 仮想 IP アドレス用の名前解決エントリを作成します。たとえば、次のとおりです。

```
scancluster IN A 192.0.2.1
 IN A 192.0.2.2
 IN A 192.0.2.3
```

scancluster はグリッドのインストール中に与えた SCAN 名です。

 **メモ**：SCAN IP アドレスはルータブルで、パブリックレンジ内にある必要があります。

## DNS クライアントの設定

名前解決のためにクラスタノード上で必要な変更を設定するには、以下の手順を実行します。

- 1 **/etc/hosts** ファイル内にホストエントリを追加します。各ノードで、**/etc/hosts** ファイルに以下のように入力して各行を修正します。

```
127.0.0.1 localhost.localdomain localhost
<パブリック IP node1> <完全修飾ホスト名 node1>
<パブリックホスト名 node1>
<パブリック IP node2> <完全修飾ホスト名 node2>
<パブリックホスト名 node2>
<仮想 IP node1> <完全修飾仮想ホスト名 node1>
<仮想ホスト名 node1>
<仮想 IP node2> <完全修飾仮想ホスト名 node2>
<仮想ホスト名 node2>
```

- クラスタ内のノードで、**resolv.conf** ファイルを編集して、DNS サーバーに対して解決可能なネームサーバーエントリを含める必要があります。以下のようなエントリを入力します。

```
/etc/resolv.conf:

search ns1.domainserver.com

nameserver 192.0.2.100
```

192.0.2.100 はネットワーク内の有効な DNS サーバーアドレスで、ns1.domainserver.com はネットワーク内のドメインサーバーです。

- 設定の順序を確認します。**/etc/nsswitch.conf** はネームサービスの順序を制御します。構成によっては、NIS が原因で Oracle SCAN のアドレス解決に問題が発生する場合があります。NIS エントリを検索リストの最後に置くことをお勧めします。たとえば、`hosts: files dns nis` のような順序にします。

## IPMI を有効にする

IPMI (Intelligent Platform Management Interface) により、ハードウェアとファームウェアに一連の共通のインタフェースが提供され、システム管理者はそれを使用してシステムの状態を監視し、システムを管理することができます。Oracle 11g R2 では、Oracle Clusterware が IPMI を統合して、エラーの分離をサポートし、クラスタの整合性を確保することができます。

### IPMI を有効にするための前提条件

各クラスタノードには、ベースボード管理コントローラ (BMC) が必要で、IPMI バージョン 1.5 以降に対応したファームウェアが実行され、LAN を使用してリモート制御できるように設定されている必要があります。



**メモ:** IPMI 専用の管理ネットワーク (DRAC ポート) を使用することをお勧めします。

ipmitool に必要な Linux rpm は、**OpenIPMI-tools-2.0.6-11.el5.x86\_64.rpm** です。

## Open IPMI ドライバの設定

- 1 **root** としてログインします。
- 2 IPMI サービスを有効にするには、次のように入力します。  
`Chkconfig ipmi on`
- 3 IPMI サービスを開始するには、次のように入力します。  
`Service ipmi start`
- 4 IPMI モジュールがロードされたことを確認するには、コマンド **`/sbin/lsmodulegrep ipmi`** を実行します。たとえば、次のとおりです。  

```
/sbin/lsmodule | grep ipmi

ipmi_devintf 44753 2
ipmi_si 77453 1
ipmi_msghandler 72985 2
ipmi_devintf,ipmi_si
```
- 5 次のコマンドを使用して、IPMI デバイスがシステムによって認識されることを確認します。`ls -l /dev/ipmi0`

IPMI デバイスが動的にロードされたら、次のような出力が表示されます。

```
ls -l /dev/ipmi0

crw----- 1 root root 252, 0 Dec 23 16:41
/dev/ipmi0
```

## IPMITool を使用した BMC の設定

以下の例に従って、ipmitool バージョン 2.0 を使用して BMC を設定します。

- 1 **root** としてログインします。
- 2 ipmitool が IPMI ドライバを使用して BMC と通信していることを確認します。以下のコマンドを使用して、出力内のデバイス ID をチェックします。

```
ipmitool bmc info
```

```
Device ID : 32
Device Revision : 0
Firmware Revision : 0.20
IPMI Version : 2.0
Manufacturer ID : 674
Manufacturer Name : Unknown (0x2a2)
Product ID : 256 (0x0100)
```

ipmitool が BMC と通信できない場合は、304 ページの「Open IPMI ドライバの設定」を参照し、IPMI ドライバが実行されていることを確認します。

- 3 次の手順に従って IPMI over LAN を有効にします。
  - a IPMI over LAN のチャンネル番号を判定します。次のコマンドをチャンネル 1 から順に実行します。IP アドレスなど、必要な LAN 属性が表示されるまで続けてください。

```
ipmitool lan print 1
```

```
...
```

```
IP Address Source : 0x01
```

```
IP Address : 140.87.155.89
```

```
...
```

- b 見つかったチャンネルの LAN アクセスをオンにします。たとえば、チャンネルが 1 の場合は次のコマンドを入力します。

```
ipmitool lan set 1 access on
```

- 4 以下のいずれかの手順に従って、IPMI の IP アドレス設定を行います。

- 動的 IP アドレス設定による方法 — 動的 IP アドレス設定は、Oracle Universal Installer のデフォルトです。クラスタへのノードの追加や削除を容易に行えるように、このオプションを選択することをお勧めします。このオプションなら、アドレス設定が自動的に行われます。

たとえば、チャンネルが 1 の場合は、次のコマンドを入力して DHCP を有効にし、チャンネルを設定します。

```
ipmitool lan set 1 ipsrc dhcp
```



**メモ**：DHCP を使用するには、サブネット上に DHCP サーバーが必要です。

- 静的 IP アドレス設定による方法 — BMC が OS とネットワーク接続を共有している場合、IP アドレスは同じサブネット上にあることが必要です。IP アドレスだけでなく、`netmask` とデフォルトゲートウェイの適切な値を設定する必要があります。たとえば、チャンネルが 1 の場合は次のとおりです。

```
ipmitool lan set 1 ipaddr 192.168.0.55
```

```
ipmitool lan set 1 netmask 255.255.255.0
```

```
ipmitool lan set 1 defgw ipaddr 192.168.0.1
```

この例で指定したアドレス（192.168.0.55）は BMC とのみ関連付けられており、通常の ping には反応しません。

- 5 次の手順に従って、ユーザー名とパスワードを設定して管理アカウントを作成します（チャンネルが 1 の場合）。

- a BMC を設定して、LAN 経由の **Admin** アクセス用のパスワードを認証します。たとえば、次のとおりです。

```
ipmitool lan set 1 auth ADMIN MD5,PASSWORD
```

- b BMC 上のアカウントスロットを一覧表示し、未使用のスロット（ユーザー名フィールドが空のままのユーザー ID）を特定します。たとえば、次のとおりです。

```
ipmitool channel getaccess 1
```

...

```
User ID : 4
```

```
User Name :
```

```
Fixed Name : No
```

```
Access Available : call-in / callback
```

```
Link Authentication : disabled
```

```
IPMI Messaging : disabled
```

```
Privilege Level : NO ACCESS
```

...

- c 希望の **Administrator** ユーザー名とパスワードを設定して、識別されたスロットのメッセージングを有効にします。また、LAN 経由（チャンネル 1）でアクセスする場合の、そのスロットの特権レベルを **ADMIN**（レベル 4）に設定します。たとえば、次のとおりです。

```
ipmitool user set name 4 bmcuser
```

```
ipmitool user set password 4 password
```

```
ipmitool user enable 4
```

```
ipmitool channel setaccess 1 4 privilege=4
```

```
ipmitool channel setaccess 1 4 link=on
```

```
ipmitool channel setaccess 1 4 ipmi=on
```

**bmcuser** は **Administrator** ユーザー名で、**password** はパスワードです。

- d コマンド `lan print 1` を使用してセットアップを確認します。  
次のような出力が表示されます。

```
ipmitool lan print 1

Set in Progress : Set Complete

Auth Type Support : NONE MD2 MD5 PASSWORD

Auth Type Enable : Callback : MD2 MD5

: User : MD2 MD5

: Operator : MD2 MD5

: Admin : MD5 PASSWORD

: OEM : MD2 MD5

IP Address Source : DHCP Address [or Static
Address]

IP Address : 192.168.0.55

Subnet Mask : 255.255.255.0

MAC Address : 00:14:22:23:fa:f9

SNMP Community String : public

IP Header : TTL=0x40 Flags=0x40 Precedence=...

Default Gateway IP : 192.168.0.1

Default Gateway MAC : 00:00:00:00:00:00

.

.

.

ipmitool channel getaccess 1 4

Maximum User IDs : 10

Enabled User IDs : 2

User ID : 4

User Name : bmcuser
```

```
Fixed Name : No
Access Available : call-in / callback
Link Authentication : enabled
IPMI Messaging : enabled
Privilege Level : ADMINISTRATOR
```

- 6 bmc info** コマンドを使用して、クラスタ内のリモートノードから **BMC** がアクセスおよび制御可能なことを確認します。たとえば、`node2` 用の **BMC** に割り当てられているネットワークホスト名が `node2-ipmi` である場合、`node1` から `node2` 上の **BMC** を確認するには、`node1` で次のコマンドを入力します。

```
$ ipmitool -H node2-ipmi -U bmcuser -P password
bmc info
```

`bmcuser` は Administrator アカウントで、`password` はパスワードです。

**BMC** が正しく設定されていれば、リモートノード上の **BMC** に関する情報が表示されます。`Error: Unable to establish LAN session` のようなエラーメッセージが表示された場合は、リモートノード上の **BMC** 設定をチェックする必要があります。



# ファイバーチャネルクラスタの セットアップ

**⚠ 警告：**本項の手順を開始する前に、システムに付属しているガイドの安全にお使いいただくための注意事項をお読みください。ベストプラクティスの追加情報については、デルの規制順守に関するウェブサイト [www.dell.com/regulatory\\_compliance](http://www.dell.com/regulatory_compliance) を参照してください。

本項の情報は、ハードウェア接続とファイバーチャネルクラスタのハードウェアおよびソフトウェアの構成を確認する際に役立ちます。

## ファイバーチャネルクラスタ用のハードウェアの接続

ファイバーチャネルクラスタのハードウェア接続を 図 3-1 に示します。

図 3-1. ファイバーチャネルクラスタ用のハードウェアの接続

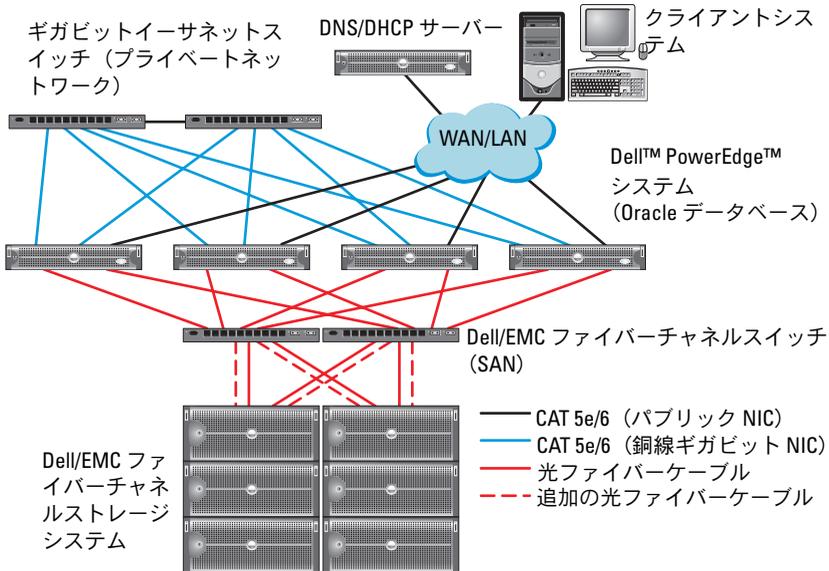


図 3-1 に示すファイバーチャネルのハードウェア接続は、表 3-1 に一覧表示され、クラスタ接続の概要が説明されています。

**表 3-1. ファイバーチャネルハードウェアの相互接続**

| クラスタのコ<br>ンポーネント                        | 接続                                                                                                                                                                                                                                                                                                                                                                                                                                                      |
|-----------------------------------------|---------------------------------------------------------------------------------------------------------------------------------------------------------------------------------------------------------------------------------------------------------------------------------------------------------------------------------------------------------------------------------------------------------------------------------------------------------|
| PowerEdge<br>システムノード                    | <ul style="list-style-type: none"> <li>• CAT 5e (カテゴリ 5 エンハンスト) または CAT 6 ケーブル 1 本をパブリック NIC から LAN に接続</li> <li>• CAT 5e または CAT 6 ケーブル 1 本をプライベートギガビット NIC からギガビットイーサネットスイッチに接続</li> <li>• CAT 5e または CAT 6 ケーブル 1 本を冗長プライベートギガビット NIC から冗長ギガビットイーサネットスイッチに接続</li> <li>• 光ファイバーケーブル 1 本を HBA 0 からファイバーチャネルスイッチ 0 に接続</li> <li>• 光ファイバーケーブル 1 本を HBA 1 からファイバーチャネルスイッチ 1 に接続</li> </ul>                                                                |
| Dell/EMC ファ<br>イバーチャネル<br>ストレージシス<br>テム | <ul style="list-style-type: none"> <li>• CAT 5e または CAT 6 ケーブル 2 本を LAN に接続</li> <li>• 1 ~ 4 本の光ファイバーケーブルを各ファイバーチャネルスイッチに接続。たとえば 4 ポート構成では、次のように接続します。 <ul style="list-style-type: none"> <li>- 光ファイバーケーブル 1 本を SPA ポート 0 からファイバーチャネルスイッチ 0 に接続</li> <li>- 光ファイバーケーブル 1 本を SPA ポート 1 からファイバーチャネルスイッチ 1 に接続</li> <li>- 光ファイバーケーブル 1 本を SPB ポート 0 からファイバーチャネルスイッチ 1 に接続</li> <li>- 光ファイバーケーブル 1 本を SPB ポート 1 からファイバーチャネルスイッチ 0 に接続</li> </ul> </li> </ul> |
| Dell/EMC ファ<br>イバーチャネル<br>スイッチ          | <ul style="list-style-type: none"> <li>• 1 ~ 4 本の光ファイバーケーブルを Dell/EMC ファイバーチャネルストレージシステムに接続</li> <li>• 1 本の光ファイバーケーブルを各 PowerEdge システムの HBA に接続</li> </ul>                                                                                                                                                                                                                                                                                              |
| ギガビットイー<br>サネット<br>スイッチ                 | <ul style="list-style-type: none"> <li>• CAT 5e または CAT 6 ケーブル 1 本を各 PowerEdge システムのプライベートギガビット NIC に接続</li> <li>• CAT 5e または CAT 6 ケーブル 1 本を残りのギガビットイーサネットスイッチに接続</li> </ul>                                                                                                                                                                                                                                                                           |

# ファイバーチャネルストレージシステムのケーブル接続

必要に応じて、Oracle データベースのファイバーチャネルクラスタストレージシステムを次のいずれかの構成にすることができます。

- 直接接続ファイバーチャネル (図 3-2 を参照)
- 4 ポート SAN 接続のファイバーチャネル (図 3-3 を参照)

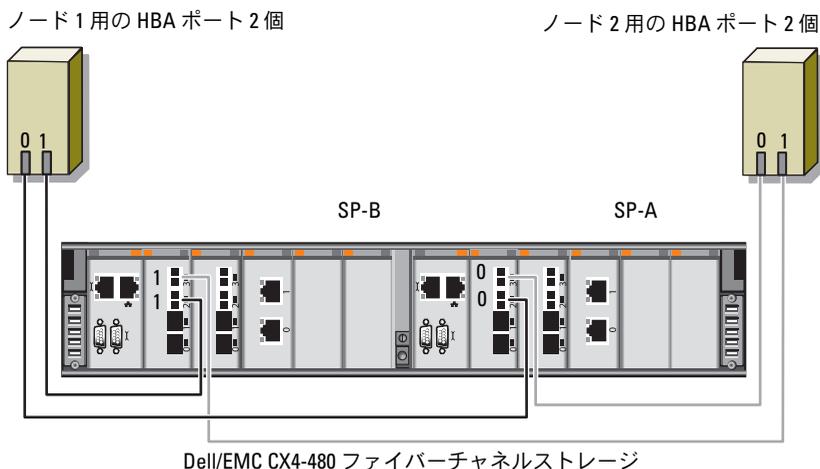
## 直接接続ファイバーチャネルの構成

ノードを直接接続ファイバーチャネル構成にするには、以下の手順を実行します。

- 1 1本の光ケーブルをノード 1 の HBA 0 から SP-A のポート 0 に接続します。
- 2 1本の光ケーブルをノード 1 の HBA 1 から SP-B のポート 0 に接続します。
- 3 1本の光ケーブルをノード 2 の HBA 0 から SP-A のポート 1 に接続します。
- 4 1本の光ケーブルをノード 2 の HBA 1 から SP-B のポート 1 に接続します。

直接接続ファイバーチャネルクラスタのケーブル接続を 図 3-2 に示します。

図 3-2. 直接接続ファイバーチャネルクラスタのケーブル接続



## SAN 接続ファイバーチャネルの構成

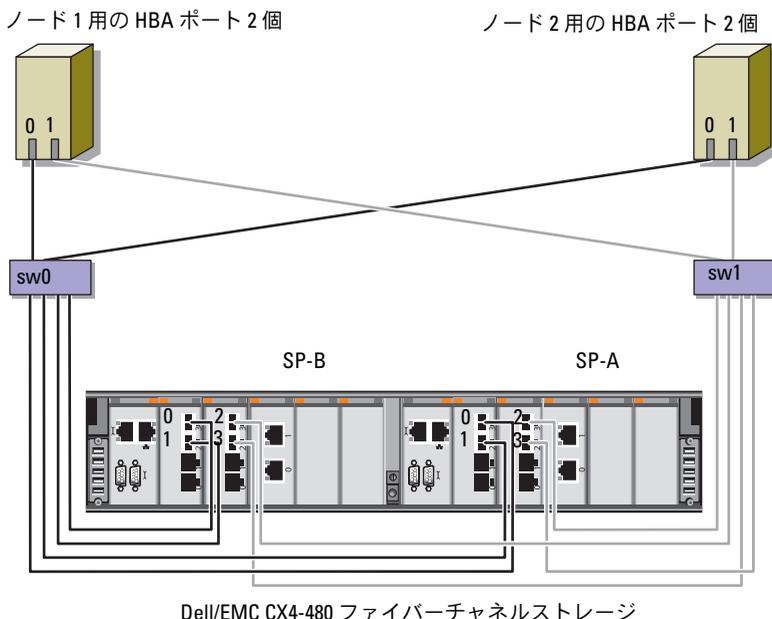
ノードを 4 ポートの SAN 接続構成にするには、以下の手順を実行します。

- 1 本の光ケーブルを SP-A ポート 0 からファイバーチャネルスイッチ 0 に接続します。
- 1 本の光ケーブルを SP-A ポート 1 からファイバーチャネルスイッチ 1 に接続します。
- 1 本の光ケーブルを SP-A ポート 2 からファイバーチャネルスイッチ 0 に接続します。
- 1 本の光ケーブルを SP-A ポート 3 からファイバーチャネルスイッチ 1 に接続します。
- 1 本の光ケーブルを SP-B ポート 0 からファイバーチャネルスイッチ 1 に接続します。
- 1 本の光ケーブルを SP-B ポート 1 からファイバーチャネルスイッチ 0 に接続します。
- 1 本の光ケーブルを SP-B ポート 2 からファイバーチャネルスイッチ 1 に接続します。

- 8 1本の光ケーブルを SP-B ポート 3 からファイバーチャネルスイッチ 0 に接続します。
- 9 1本の光ケーブルをノード 1 の HBA 0 からファイバーチャネルスイッチ 0 に接続します。
- 10 1本の光ケーブルをノード 1 の HBA 1 からファイバーチャネルスイッチ 1 に接続します。
- 11 1本の光ケーブルをノード 2 の HBA 0 からファイバーチャネルスイッチ 0 に接続します。
- 12 1本の光ケーブルをノード 2 の HBA 1 からファイバーチャネルスイッチ 1 に接続します。

SAN 接続ファイバーチャネルクラスタのケーブル接続を 図 3-3 に示します。

図 3-3. SAN 接続のファイバーチャネルクラスタのケーブル接続





# Dell PowerVault MD3000/MD1000 拡張エンクロージャ用の SAS クラスタのセットアップ

**⚠ 警告：**本項の手順を開始する前に、システムに付属しているガイドの安全にお使いいただくための注意事項をお読みください。ベストプラクティスの追加情報については、デルの規制順守に関するウェブサイト [www.dell.com/regulatory\\_compliance](http://www.dell.com/regulatory_compliance) を参照してください。

Oracle® RAC (Real Application Cluster) 環境で機能するように Dell PowerEdge™ システムと Dell PowerVault™ MD3000 および MD1000 ストレージエンクロージャを設定するには、次の手順を実行します。

- 1 図 4-1、表 4-1 および 図 4-2 を参照して、ハードウェアとソフトウェアの構成を確認してください。
- 2 319 ページの「ハードウェアのセットアップ」の手順に従って作業します。

**△ 注意：**PowerVault MD3000 ストレージアレイのファームウェアをアップグレードする前に、必ずデータをバックアップしてください。

図 4-1. SAS (シリアル接続 SCSI) クラスタと Dell PowerVault MD3000 ストレージエンクロージャのケーブル接続

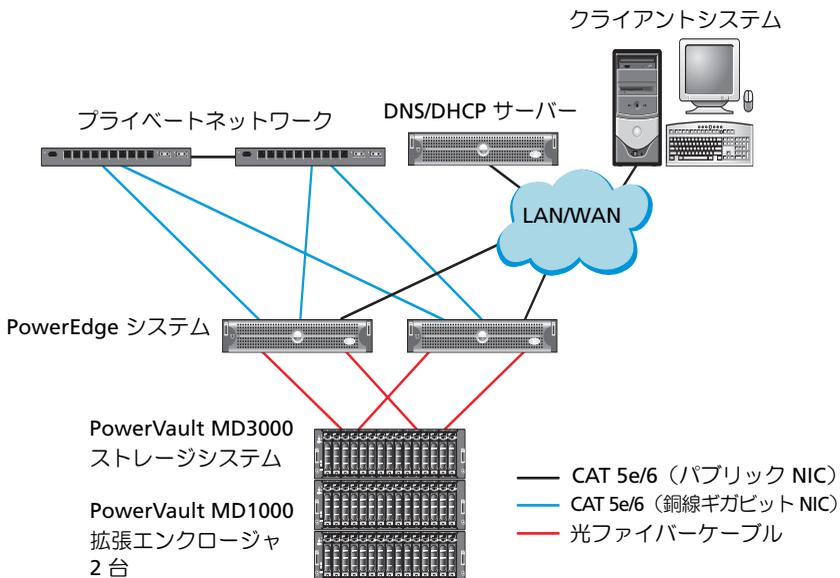


表 4-1. SAS クラスタハードウェアの相互接続

| クラスタのコンポーネント      | 接続                                                                                                                                                                                                                                                                                                                                |
|-------------------|-----------------------------------------------------------------------------------------------------------------------------------------------------------------------------------------------------------------------------------------------------------------------------------------------------------------------------------|
| PowerEdge システムノード | <ul style="list-style-type: none"> <li>• CAT 5e/6 ケーブル 1 本をパブリック NIC から LAN に接続</li> <li>• CAT 5e/6 ケーブル 1 本をプライベートギガビット NIC からギガビットイーサネットスイッチに接続 (プライベートネットワーク)</li> <li>• CAT 5e/6 ケーブル 1 本を冗長プライベートギガビット NIC から冗長ギガビットイーサネットスイッチに接続 (プライベートネットワーク)</li> <li>• SAS 5/E 経由で PowerVault MD3000 システムノードに対して 2 本の SAS 接続</li> </ul> |

表 4-1. SAS クラスタハードウェアの相互接続（続き）

| クラスタのコンポーネント                               | 接続                                                                                                                                                                                                                                                                   |
|--------------------------------------------|----------------------------------------------------------------------------------------------------------------------------------------------------------------------------------------------------------------------------------------------------------------------|
| PowerVault MD3000 ストレージエンクロージャ             | <ul style="list-style-type: none"> <li>• CAT 5e/6 ケーブル 2 本を LAN に接続（各ストレージプロセッサモジュールから 1 本ずつ）</li> <li>• SAS 5/E ケーブルで各 PowerEdge システムノードに対して 2 本の SAS 接続</li> </ul> <p><b>メモ：</b> PowerVault MD3000 ストレージエンクロージャの相互接続の詳細については、319 ページの「ハードウェアのセットアップ」を参照してください。</p> |
| Dell PowerVault MD1000 ストレージエンクロージャ（オプション） | PowerVault MD1000 拡張エンクロージャの必要に応じて SAS ケーブルの接続を追加                                                                                                                                                                                                                    |

## ハードウェアのセットアップ

SAS クラスタは直接接続クラスタ内のみ取り付け可能で、2 ノードまでに限定されます。

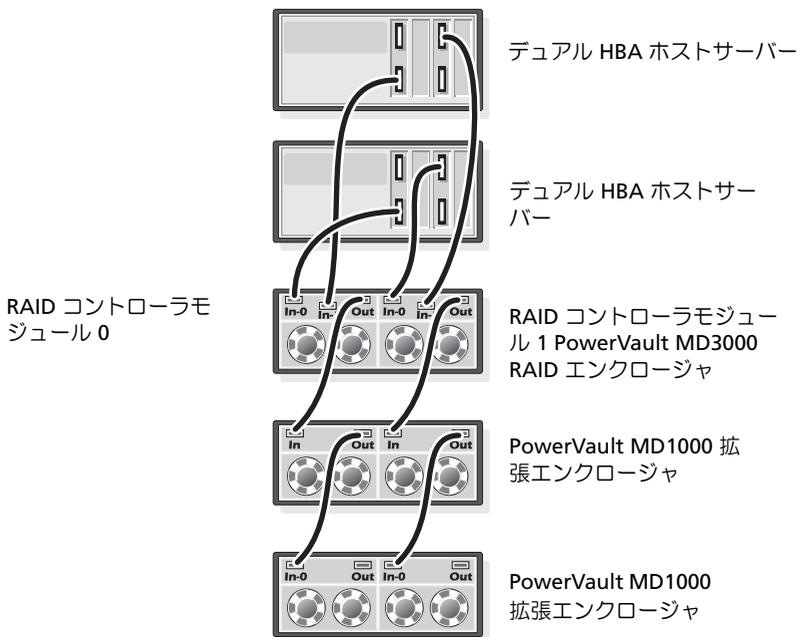
ノードを直接接続構成に設定するには、以下の手順に従います。

- 1 ノード 1 の SAS コントローラのポートと PowerVault MD3000 ストレージエンクロージャ内の RAID コントローラ 0 の **In-0** ポートを 1 本の SAS ケーブルで接続します。
- 2 ノード 1 の SAS コントローラのもう一方のポートと PowerVault MD3000 ストレージエンクロージャ内の RAID コントローラ 1 の **In-0** ポートを 1 本の SAS ケーブルで接続します。
- 3 ノード 2 の SAS コントローラのポートと PowerVault MD3000 ストレージエンクロージャ内の RAID コントローラ 0 の **In-1** ポートを 1 本の SAS ケーブルで接続します。
- 4 ノード 2 の SAS コントローラのもう一方のポートと PowerVault MD3000 ストレージエンクロージャ内の RAID コントローラ 1 の **In-1** ポートを 1 本の SAS ケーブルで接続します。
- 5 必要に応じて、PowerVault MD3000 ストレージエンクロージャの 2 個の出力ポートと 1 台目の PowerVault MD1000 拡張エンクロージャの 2 個の入力ポートを 2 本の SAS ケーブルで接続します。

- 6 必要に応じて、PowerVault MD1000 ストレージエンクロージャの 2 個の出力ポートと 2 台目の PowerVault MD1000 拡張エンクロージャの In-0 ポートを 2 本の SAS ケーブルで接続します。

 **メモ**：PowerVault MD1000 拡張エンクロージャの設定については、[support.dell.com/manuals](http://support.dell.com/manuals) で PowerVault MD1000 ストレージシステムのマニュアルを参照してください。

図 4.2. 直接接続 SAS クラスターのケーブル接続



# ホストベースのストレージソフトウェアのインストール

PowerVault MD3000 ストレージエンクロージャに必要なホストベースのストレージソフトウェアをインストールするには、システムに付属の Dell PowerVault Resource メディアを使用します。Modular Disk Storage Manager (MDSM) ソフトウェアをマスターノードに、マルチパス入出力 (MPIO) ソフトウェアを残りのノードにインストールするには、PowerVault MD3000 ストレージエンクロージャのマニュアルに記載されている手順に従います。

## ファームウェアの確認とアップグレード

- 1 ホストシステムにインストールされている MDSM ソフトウェアを使用して、ホストシステムの直接接続ストレージを検出します。
- 2 次のストレージコンポーネント用のファームウェアが最低必要なバージョンであることを確認します。
  - RAID コントローラファームウェア
  - PowerVault MD3000 ストレージシステムファームウェア
  - PowerVault MD1000 拡張エンクロージャファームウェア



**メモ：**ファームウェアバージョンの最小要件については、[dell.com/oracle](http://dell.com/oracle) で **Dell Validated Components** (Dell 承認のコンポーネント) リンクをクリックしてご覧ください。

# SAS 5/E アダプタドライバのインストール

SAS 5/E ドライバを PowerVault MD3000 Resource メディアからインストールします。

 **メモ**：SAS 5/E ドライバのバージョンが、[dell.com/oracle](http://dell.com/oracle) の Solution Deliverable List (SDL) (ソリューションリスト) に記されている Dell-validated Component (Dell 承認のコンポーネント) の各バージョンと等しいか、またはより新しいことを確認します。

クラスタの両方のノードにドライバをインストールする手順については、PowerVault MD3000 ストレージエンクロージャと SAS HBA に付属のマニュアルを参照してください。

## インストール後の作業

ドライバとソフトウェアをインストールした後で、『PowerVault MD3000 取り付けガイド』に示されているインストール後のタスクを実行します。『Dell PowerEdge システム — Enterprise Linux x86\_64 で使用する Oracle データベース — OS のインストールとハードウェアの取り付けガイド』および『Linux ガイド』に示されている環境を構築します。どちらのマニュアルも [support.dell.com/manuals](http://support.dell.com/manuals) から入手できます。

 **メモ**：LUN 用のディスクは RAID 10 構成に設定することをお勧めします。

# Dell™ PowerVault™ MD3000i / MD1000 ストレージエンクロー ジャ用の iSCSI クラスターのセッ トアップ

 **警告：**本項の手順を開始する前に、システムに付属しているガイドの安全にお使いいただくための注意事項をお読みください。ベストプラクティスの追加情報については、デルの規制順守に関するウェブサイト [www.dell.com/regulatory\\_compliance](http://www.dell.com/regulatory_compliance) を参照してください。

本項では、Dell PowerEdge™ システムと PowerVault MD3000i/MD1000 ストレージエンクロージャが Oracle® RAC (Real Application Cluster) 環境で機能するように設定するための情報と手順を示します。

[support.dell.com/manuals](http://support.dell.com/manuals) で Dell PowerVault MD3000i の『サポートマトリックス』の「Supported Configuration」(サポートされている構成)を参照して、ハードウェア接続とハードウェアおよびソフトウェアの構成を確認してください。

表 5-1. iSCSI ハードウェアの相互接続

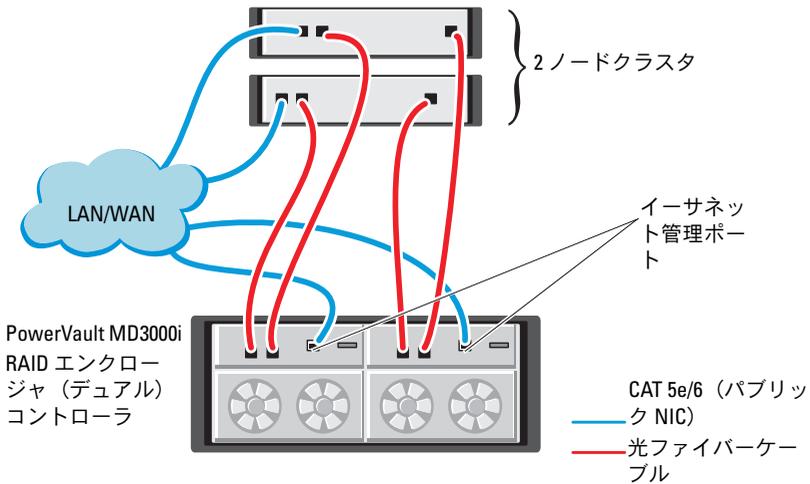
| クラスタのコンポーネント                            | 接続                                                                                                                                                                                                                                                                                                                                                   |
|-----------------------------------------|------------------------------------------------------------------------------------------------------------------------------------------------------------------------------------------------------------------------------------------------------------------------------------------------------------------------------------------------------|
| PowerEdge システム ノード                      | <ul style="list-style-type: none"> <li>• CAT 5e/6 ケーブル 1 本をパブリック NIC から LAN に接続</li> <li>• CAT 5e/6 ケーブル 1 本をプライベートギガビット NIC からギガビットイーサネットスイッチに接続（プライベートネットワーク）</li> <li>• CAT 5e/6 ケーブル 1 本を冗長プライベートギガビット NIC から冗長ギガビットイーサネットスイッチに接続（プライベートネットワーク）</li> <li>• CAT 5e/6 ケーブル 1 本を iSCSI ギガビット NIC からギガビットイーサネットスイッチに接続（iSCSI ネットワーク）</li> </ul>      |
| PowerVault MD3000i ストレージシステム            | <ul style="list-style-type: none"> <li>• 管理インタフェース用に CAT 5e/6 ケーブル 2 本を LAN に接続（各ストレージプロセッサモジュールから 1 本）</li> <li>• iSCSI 相互接続用として、CAT 5e/6 ケーブル 2 本を各ストレージプロセッサに接続</li> </ul> <p><b>メモ：</b> PowerVault MD3000i ストレージエンクロージャの詳細については、<a href="http://support.dell.com/manuals">support.dell.com/manuals</a> で PowerVault MD3000i のマニュアルを参照してください。</p> |
| PowerVault MD1000 ストレージ拡張エンクロージャ（オプション） | PowerVault MD1000 拡張エンクロージャの必要に応じて SAS ケーブルの接続を追加                                                                                                                                                                                                                                                                                                    |

# ハードウェアのセットアップ

直接接続の iSCSI クラスタは 2 ノードまでに限定されています。

図 5-1. iSCSI 直接接続クラスタのケーブル接続

スタンドアロンのホストシステム (1 台または 2 台)



ノードを直接接続で構成するには 図 5-1 を参照し、以下の手順を実行します。

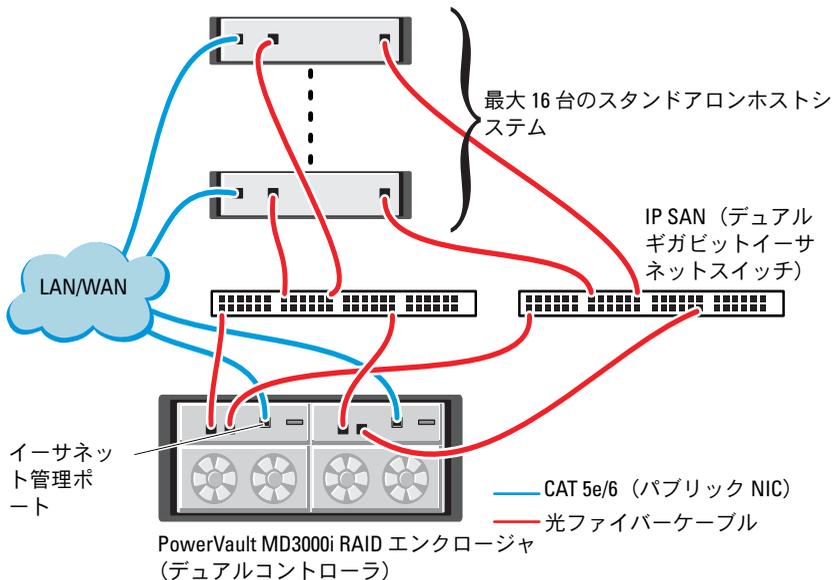
- 1 ノード 1 のポート (iSCSI HBA または NIC) と PowerVault MD3000i ストレージエンクロージャ内の RAID コントローラ 0 の **In-0** ポートを 1 本の CAT 5e/6 ケーブルで接続します。
- 2 ノード 1 のもう一方のポート (iSCSI HBA または NIC) と PowerVault MD3000i ストレージエンクロージャ内の RAID コントローラ 1 の **In-0** ポートを 1 本の CAT 5e/6 ケーブルで接続します。
- 3 ノード 2 のポート (iSCSI HBA または NIC) と PowerVault MD3000i ストレージエンクロージャ内の RAID コントローラ 0 の **In-1** ポートを 1 本の CAT 5e/6 ケーブルで接続します。
- 4 ノード 2 のもう一方のポート (iSCSI HBA または NIC) と PowerVault MD3000i ストレージエンクロージャ内の RAID コントローラ 1 の **In-1** ポートを 1 本の CAT 5e/6 ケーブルで接続します。

- 5 必要に応じて、PowerVault MD3000 ストレージエンクロージャの 2 個の出力ポートと 1 台目の PowerVault MD1000 拡張エンクロージャの 2 個の入力ポートを 2 本の SAS ケーブルで接続します。
- 6 必要に応じて、PowerVault MD1000 ストレージエンクロージャの 2 個の出力ポートと 2 台目の MD1000 拡張エンクロージャの **In-0** ポートを 2 本の SAS ケーブルで接続します。

 **メモ**：PowerVault MD1000 拡張エンクロージャの設定については、[support.dell.com/manuals](http://support.dell.com/manuals) で PowerVault MD3000i ストレージシステムのマニュアルを参照してください。

スイッチ式 iSCSI クラスタは、最大 8 ノードをサポートします。

図 5-2. iSCSI スイッチ式クラスタのケーブル接続



ノードをスイッチ式で構成するには、図 5-2 を参照し、以下の手順を実行します。

- 1 ノード 1 のポート (iSCSI HBA または NIC) とネットワークスイッチ 1 のポートを 1 本の CAT 5e/6 ケーブルで接続します。
- 2 ノード 1 のポート (iSCSI HBA または NIC) とネットワークスイッチ 2 のポートを 1 本の CAT 5e/6 ケーブルで接続します。
- 3 ノード 2 のポート (iSCSI HBA または NIC) とネットワークスイッチ 1 のポートを 1 本の CAT 5e/6 ケーブルで接続します。
- 4 ノード 2 のポート (iSCSI HBA または NIC) とネットワークスイッチ 2 のポートを 1 本の CAT 5e/6 ケーブルで接続します。
- 5 スイッチ 1 のポートと PowerVault MD3000i ストレージエンクロージャ内の RAID コントローラ 0 の **In-0** ポートを 1 本の CAT 5e/6 ケーブルで接続します。
- 6 スイッチ 1 のもう一方のポートと PowerVault MD3000i ストレージエンクロージャ内の RAID コントローラ 1 の **In-0** ポートを 1 本の CAT 5e/6 ケーブルで接続します。
- 7 スイッチ 2 のポートと PowerVault MD3000i ストレージエンクロージャ内の RAID コントローラ 0 の **In-1** ポートを 1 本の CAT 5e/6 ケーブルで接続します。
- 8 スイッチ 2 のもう一方のポートと PowerVault MD3000i ストレージエンクロージャ内の RAID コントローラ 1 の **In-1** ポートを 1 本の CAT 5e/6 ケーブルで接続します。
- 9 必要に応じて、PowerVault MD3000i ストレージエンクロージャの 2 個の出力ポートと 1 台目の PowerVault MD1000 拡張エンクロージャの 2 個の入力ポートを 2 本の SAS ケーブルで接続します。
- 10 必要に応じて、PowerVault MD3000 ストレージエンクロージャの 2 個の出力ポートと 2 台目の PowerVault MD1000 拡張エンクロージャの **In-0** ポートを 2 本の SAS ケーブルで接続します。



**メモ：** PowerVault MD1000 拡張エンクロージャの設定については、[support.dell.com/manuals](http://support.dell.com/manuals) で PowerVault MD3000i ストレージシステムのマニュアルを参照してください。iSCSI ストレージインフラストラクチャには別のネットワークを使用することをお勧めします。iSCSI 専用のネットを別途用意できない場合は、ストレージ機能を専用の VLAN (仮想ローカルエリアネットワーク) に割り当てます。そうすることで、1 つの物理ネットワーク内に独立した論理ネットワークが設定されます。

## ストレージに必要なホストベースソフトウェアのインストール

PowerVault MD3000i ストレージシステムに必要なホストベースのストレージソフトウェアをインストールするには、PowerVault MD3000i ストレージシステムに付属の Dell PowerVault の Resource メディアを使用します。PowerVault MD3000i ストレージエンクロージャのマニュアル ([support.dell.com/manuals](http://support.dell.com/manuals) で入手可能) に記載されている手順に従って、Modular Disk Storage Manager ソフトウェアをマスターノードに、マルチパス (MPIO) ソフトウェアを残りのノードにインストールします。

## ファームウェアの確認とアップグレード

- 1 ホストシステムにインストールされている Modular Disk Storage Manager ソフトウェアを使用して、ホストシステムの直接接続ストレージを検出します。
- 2 次のストレージコンポーネント用のファームウェアが最低必要なバージョンであることを確認します。
  - MD3000i ストレージシステムファームウェア
  - MD1000 拡張エンクロージャファームウェア



**メモ：**ファームウェアバージョンの最小要件については、[dell.com/oracle](http://dell.com/oracle) で **Dell Validated Components** (Dell 承認のコンポーネント) リンクをクリックしてご覧ください。

## インストール後のタスク

ドライバとソフトウェアをインストールした後で、『MD3000i 取り付けガイド』([support.dell.com/manuals](http://support.dell.com/manuals) で入手可能) に示されているインストール後のタスクを実行して、324 ページの表 5-1 に示す環境を構築します。

# Dell EqualLogic PS シリーズのストレージシステム用の iSCSI クラスターのセットアップ

**⚠ 警告：**本項の手順を開始する前に、システムに付属しているガイドの安全にお使いいただくための注意事項をお読みください。ベストプラクティスの追加情報については、デルの規制順守に関するウェブサイト [www.dell.com/regulatory\\_compliance](http://www.dell.com/regulatory_compliance) を参照してください。

## EqualLogic の用語

EqualLogic™ PS シリーズのストレージアレイには、ストレージ仮想化テクノロジーが搭載されています。これらのアレイの仕組みをよりよく理解するには、アレイとその機能の説明に使用される用語を知っていると役に立ちます。

- **メンバー** — 単一の PS シリーズアレイ。
- **グループ** — 集中管理が可能な 1 つまたは複数のメンバーのセット。ホストシステムは 1 つのグループ IP アドレスによってデータにアクセスします。
- **プール** — 1 つまたは複数のメンバーからのディスクで構成できる RAID。
- **ボリューム** — プールの容量の一部を表す LUN または仮想ディスク。

## EqualLogic iSCSI ストレージシステムのセットアップ

ホストシステムは、IP SAN 業界標準ギガビットイーサネットスイッチを経由して EqualLogic PS5000XV iSCSI アレイに接続できます。

図 6-1 は、デュアルコントロールモジュール EqualLogic PS5000XV アレイに推奨されるネットワーク構成を示しています。

Dell PowerConnect™ 6200 シリーズのギガビットイーサネットスイッチ 2 台による構成で、ネットワークの可用性と帯域幅が共に最大となります。



**メモ：**ギガビットイーサネットスイッチは 2 台使用することをお勧めします。イーサネットスイッチが 1 台のみの環境でスイッチに障害が発生すると、スイッチを物理的に交換して設定を復元するまで、どのホストもストレージにアクセスできなくなります。スイッチ 1 台の構成では、スイッチ間またはトランク間の接続を提供するために、リンクアグリゲーションを使用する複数のポートが必要です。各コントロールモジュールから、1 つのギガビットインタフェースを 1 台のイーサネットスイッチに、残りの 2 つのギガビットインタフェースをもう 1 台のイーサネットスイッチに接続する構成をお勧めします。

図 6-1. 推奨ネットワーク構成

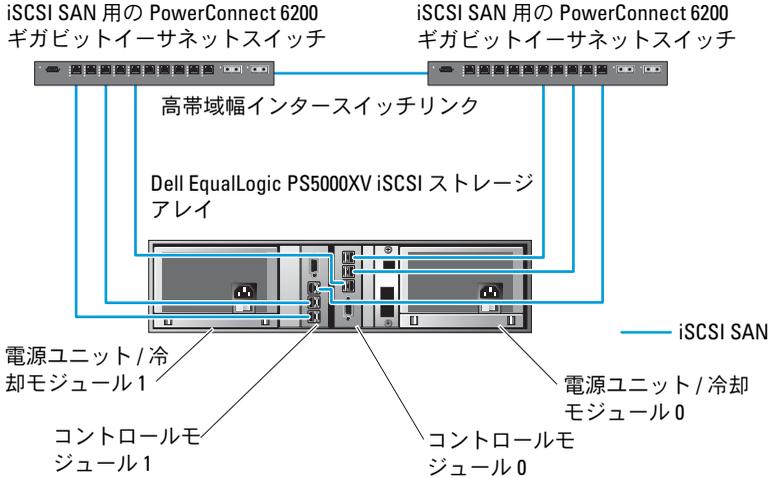
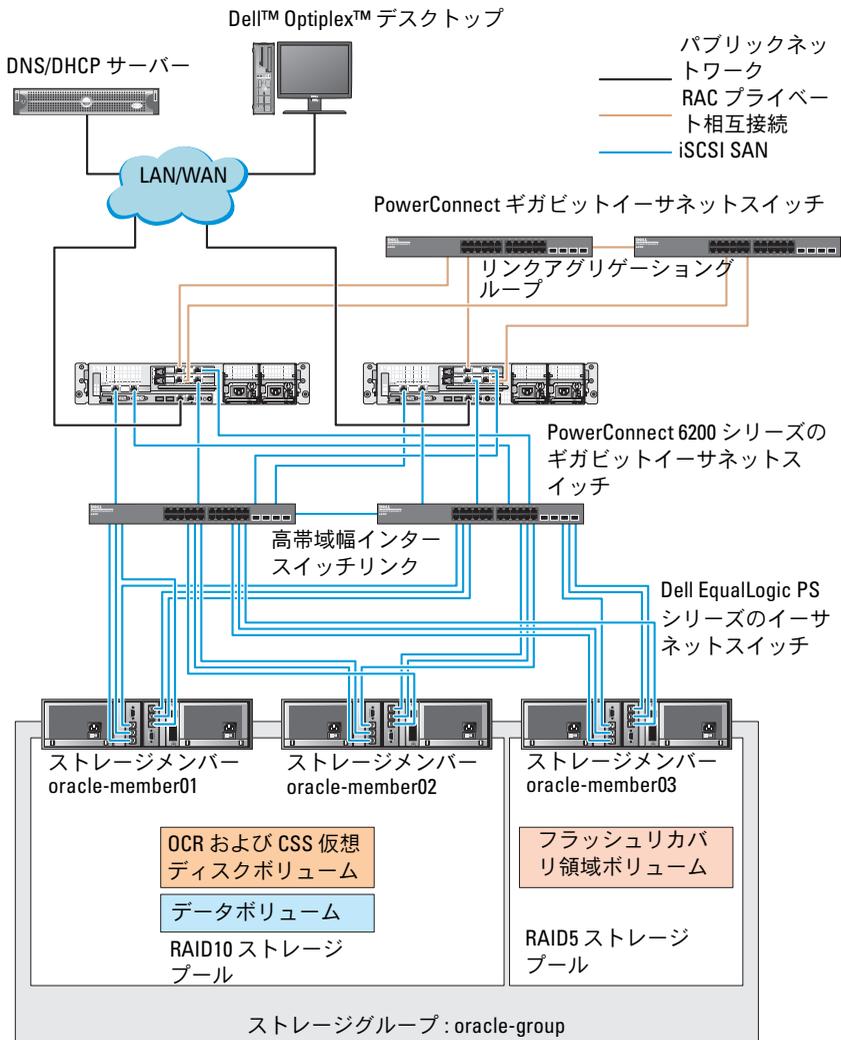


図 6-2 は、Dell EqualLogic PS5000XV アレイ 3 つを使用した Oracle<sup>®</sup> RAC (Real Application Cluster) 構成例の概略図です。Dell EqualLogic PS5000XV ストレージアレイは、RAC データベース用の物理的なストレージ容量を提供します。**oracle-group** というグループには、Dell EqualLogic PS5000XV のメンバー 3 つ (**oracle-member01**、**oracle-member02**、**oracle-member03**) が含まれています。初期化済みのメンバーは、RAID 10、RAID 5、または RAID 50 のいずれかに構成できます。

図 6-2. PS5000XV アレイ 3 つを使用した Oracle® RAC 構成例



**メモ** : EqualLogic アレイの初期化の詳細については、[support.dell.com/manuals](http://support.dell.com/manuals) で Dell EqualLogic の『ユーザーズガイド』を参照してください。

EqualLogic PS シリーズのストレージグループは、複数の階層またはプールに分割できます。ストレージを階層化すると、ディスクリソースをより自在に割り当てることができるようになります。メンバーを同時に複数のプールに割り当てすることはできません。メンバーをプールに割り当てたり、別のプールに移動する操作は簡単に行うことができ、データの可用性に何ら影響はありません。プールは、ディスクのタイプ、速度、RAID レベル、アプリケーションのタイプなど、さまざまな基準に従って組むことができます。

図 6-2 では、プールはメンバーの RAID レベルに従って組まれています。

- RAID 10 という名前のプールは、RAID 10 のメンバーで構成されています。
- RAID 5 という名前のプールは、RAID 5 のメンバーで構成されています。

## ボリュームの作成

データを保存する前に、EqualLogic PS5000XV ストレージアレイの物理ディスクを設定して、ボリュームと呼ばれる使用可能なコンポーネントにする必要があります。ボリュームはストレージプールを構成する一部であり、特定のサイズ、アクセスコントロール、その他の属性を持っています。ボリュームは、複数のディスクとグループメンバー間に分散させることができます。ボリュームは、ネットワーク上では iSCSI ターゲットとして表示されます。ボリュームはプールに割り当てられます。別のプールに移動することも容易で、データの可用性に何ら影響はありません。また、プール内のストレージハードウェアリソースの総合的な負荷に基づいて、プール内で自動データ配置と自動負荷バランシングが行われます。

表 6-1 はボリューム構成の一例を示したものです。

表 6-1. Oracle RAC 用のボリュームの構成

| ボリュームの数   | 最小サイズ                  | RAID | パーティションの数 | 使用目的                                 | OS マッピング                                               |
|-----------|------------------------|------|-----------|--------------------------------------|--------------------------------------------------------|
| 5         | 1024 MB                | 10   | 1         | 投票ディスク、Oracle Cluster Registry (OCR) | Oracle Cluster Registry (OCR) および投票ディスク用の ASM ディスクグループ |
| 1         | データベースよりも大きいこと         | 10   | 1         | データ                                  | ASM ディスクグループ<br>DATABASEDG                             |
| 1         | 第 2 領域ボリュームのサイズの 2 倍以上 | 5    | 1         | フラッシュリカバリ領域                          | ASM ディスクグループ<br>FLASHBACKDG                            |
| 1 (オプション) | 10 GB                  | 10   | 1         | 共有 DB ホーム                            | 共有 DB ホーム用の ASM ディスクグループ                               |

Dell EqualLogic PS5000XV アレイ内にボリュームを作成し、すべてのホスト iSCSI ネットワークインタフェースがボリュームにアクセスできるようにアクセスリストを作成します。たとえば、次のようなボリュームが作成されます。

- **mdi-ocr**
- **mdi-data1**
- **mdi-fra1**

## iSCSI ネットワークの設定

最適なパフォーマンスが得られるように、iSCSI トラフィック用のホストネットワークインタフェースが**フロー制御**と**ジャンボフレーム**を使用するように設定することをお勧めします。ethtool ユーティリティを使用して**フロー制御**を設定します。

次のコマンドを使用して、インタフェース上の**フロー制御 (RX/TX Pause)** をチェックします。# ethtool -a <インタフェース>

たとえば、次のとおりです。

```
ethtool -a eth2
Pause parameters for eth2:
Autonegotiate: on
RX: on
TX: on
```

この例は、**フロー制御**がすでにオンになっていることを示しています。**フロー制御**がオンになっていない場合は、次のコマンドを使用してオンにします。

```
ethtool -A <インタフェース> rx on tx on
```

**ジャンボフレーム**は、`/etc/sysconfig/network-scripts/ifcfg-<インタフェース>` スクリプト内に `MTU="<mtu-値>"` パラメータを追加して設定します。

以下の例では、**MTU** が **9000** に設定されています。

```
cat /etc/sysconfig/network-scripts/ifcfg-eth2
DEVICE=eth2
HWADDR=00:15:17:80:43:50
ONBOOT=yes
TYPE=Ethernet
BOOTPROTO=none
IPADDR=10.16.7.125
NETMASK=255.255.255.0
USERCTL=no
MTU=9000
```

ifconfig コマンドを使用して、**ジャンボフレーム**の設定を確認します。

```
$ ifconfig eth2
eth2 Link encap:Ethernet HWaddr
00:15:17:80:43:50
 inet addr:10.16.7.125 Bcast:10.16.7.255
Mask:255.255.255.0
 inet6 addr: fe80::215:17ff:fe80:4350/64
Scope:Link
 UP BROADCAST RUNNING MULTICAST MTU:9000
Metric:1
 RX packets:3348411 errors:0 dropped:0
overruns:0 frame:0
 TX packets:2703578 errors:0 dropped:0
overruns:0 carrier:0
 collisions:0 txqueuelen:1000
 RX bytes:10647052076 (9.9 GiB) TX
bytes:11209177325 (10.4 GiB)
 Memory:d5ee0000-d5f00000
```

## ホストからボリュームへのアクセスの設定

本項では、**iscsiadm** ツールを使用してホストから iSCSI ボリュームへのアクセスを設定する手順について説明します。**iscsiadm** ツールは open-iSCSI 管理ユーティリティです。

- 1 **root** としてシステムにログインします。open-iSCSI イニシエータソフトウェアがすべてのホストシステムにインストール済みであることを確認します。

```
rpm -qa|grep -i iscsi-initiator
```

open-iSCSI イニシエータ RPM がインストールされている場合は、以下の出力が表示されます。

```
iscsi-initiator-utils-6.2.0.868-0.7.el5
```

出力が表示されない場合は、open-iSCSI イニシエータ RPM をインストールします。

- 2 iSCSI サービスを開始します。

```
service iscsi start
```

- 3 起動時に iSCSI サービスの開始を有効にします。

```
hkconfig --add iscsi
chkconfig iscsi on
chkconfig --list iscsi
```
- 4 iSCSI トラフィックに使用されるホスト上の各ネットワークインタフェースのハードウェアアドレスを取得します。

```
grep -i hwaddr /etc/sysconfig/network-
scripts/ifcfg-ethn,
```

**n** はネットワークインタフェース番号です。
- 5 iSCSI トラフィックに使用されるホスト上の各ネットワークインタフェースのインタフェースを作成します。

```
iscsiadm -m iface -I インタフェース名 --op=new
インタフェース名 はインタフェースに割り当てられる名前です。
iscsiadm -m iface -I インタフェース名 --op=update -n
iface.hwaddress -v ハードウェアアドレス
```

**ハードウェアアドレス** は、手順 4 で取得したインタフェースのハードウェアアドレスです。

たとえば、以下のコマンドによって **eth0** インタフェースにハードウェアアドレス **00:18:8B:4E:E6:CC** を持つ **eth0-iface** という名前のインタフェースが作成されます。

```
iscsiadm -m iface -I eth0-iface --op=new
新しいインタフェース eth0-iface が追加されました。
iscsiadm -m iface -I eth0-iface --op=update -n
iface.hwaddress -v 00:18:8B:4E:E6:CC
eth0-iface updated
```
- 6 インタフェースが作成され、正しく関連付けられていることを確認します。

```
iscsiadm -m iface
```
- 7 ホストの **/etc/iscsi/iscsid.conf** 内の CHAP 情報を変更します。

```
node.session.auth.username = ユーザー名
node.session.auth.password = パスワード
discovery.sendtargets.auth.username = ユーザー名
discovery.sendtargets.auth.password = パスワード
```

**ユーザー名** は EqualLogic ストレージ内で定義された CHAP ユーザー名です。また、**パスワード** は EqualLogic ストレージ内で定義された CHAP パスワードです。

- 8 新しい構成を有効にするには、iSCSI サービスを再起動します。

```
service iscsi stop
service iscsi start
```

- 9 手順 5 で作成したすべての **ifaces** からターゲットを検出します。
- ```
iscsiadm -m discovery -t st -p グループ IP アドレス -
--interface= インタフェース名 1 --interface= インタ
フェース名 2 --interface= インタフェース名 3 --
interface= インタフェース名 4
```

グループ IP アドレスは EqualLogic ストレージグループの IP アドレスで、**インタフェース名 1**、**インタフェース名 2**、**インタフェース名 3**、**インタフェース名 4** ... は、iSCSI トラフィックに使用されるホスト上のネットワークインタフェース（手順 5 で定義）です。たとえば、次のコマンドを実行すると、**eth0-iface** および **eth1-iface** という名前の 2 つのインタフェースを持つホストから、**グループ IP アドレス 10.16.7.100** で 4 つのボリュームが検出されます。

```
# iscsiadm -m discovery -t st -p 10.16.7.100 --
interface=eth0-iface --interface=eth1-iface
10.16.7.100:3260,1 iqn.2001-05.com.equallogic:
0-8a0906-90ee59d02-e26f999767b4942e-mdi-ocr-css-
spfile
10.16.7.100:3260,1 iqn.2001-05.com.equallogic:
0-8a0906-90ee59d02-e26f999767b4942e-mdi-ocr-css-
spfile
10.16.7.100:3260,1 iqn.2001-05.com.equallogic:
0-8a0906-93ee59d02-674f999767d4942e-mdi-data1
10.16.7.100:3260,1 iqn.2001-05.com.equallogic:
0-8a0906-93ee59d02-674f999767d4942e-mdi-data1
10.16.7.100:3260,1 iqn.2001-05.com.equallogic:
0-8a0906-95ce59d02-2e0f999767f4942e-mdi-data2
10.16.7.100:3260,1 iqn.2001-05.com.equallogic:
0-8a0906-95ce59d02-2e0f999767f4942e-mdi-data2
10.16.7.100:3260,1 iqn.2001-05.com.equallogic:
0-8a0906-97be59d02-d7ef99976814942e-mdi-fra1
10.16.7.100:3260,1 iqn.2001-05.com.equallogic:
0-8a0906-97be59d02-d7ef99976814942e-mdi-fra1
```

- 10 ホスト上のすべての **ifaces** からすべてのボリュームが検出されたことを確認します。iscsiadm -m discovery --print=1
たとえば、次のとおりです。

```
# iscsiadm -m discovery --print=1
```

SENDTARGETS:

```
DiscoveryAddress: 10.16.7.100,3260  
Target: iqn.2001-05.com.equallogic:0-8a0906-  
90ee59d02-e26f999767b4942e-mdi-ocr-css-spfile  
Portal: 10.16.7.100:3260,1  
Iface Name: eth0-iface  
Iface Name: eth1-iface
```

```
Target: iqn.2001-05.com.equallogic:0-8a0906-  
93ee59d02-674f999767d4942e-mdi-data1  
Portal: 10.16.7.100:3260,1  
Iface Name: eth0-iface  
Iface Name: eth1-iface
```

```
Target: iqn.2001-05.com.equallogic:0-8a0906-  
95ce59d02-2e0f999767f4942e-mdi-data2  
Portal: 10.16.7.100:3260,1  
Iface Name: eth0-iface  
Iface Name: eth1-iface
```

```
Target: iqn.2001-05.com.equallogic:0-8a0906-  
97be59d02-d7ef99976814942e-mdi-fra1  
Portal: 10.16.7.100:3260,1  
Iface Name: eth0-iface  
Iface Name: eth1-iface
```

iSNS:

No targets found.

STATIC:

No targets found.

- 11 手順 5 で作成した各インタフェースからすべてのターゲット（ボリューム）にログインします。

```
iscsiadm -m node -p グループ IP アドレス --interface  
インタフェース名 --login
```

グループ IP アドレスは EqualLogic ストレージグループの IP アドレスで、**インタフェース名**は、iSCSI トラフィックに使用されるホスト上のネットワークインタフェース（手順 5 で定義）です。

次の例のコマンドを実行すると、ホスト上の 2 つの**インタフェース**（**eth0-iface** と **eth1-iface**）のそれぞれから 3 つのボリュームにログインします。

```
# iscsiadm -m node -p 10.16.7.100 --interface  
eth0-iface --login  
Logging in to [iface: eth0-iface, target:  
iqn.2001-05.com.equallogic:0-8a0906-90ee59d02-  
e26f999767b4942e-mdi-ocr-css-spfile, portal:  
10.16.7.100,3260]  
Logging in to [iface: eth0-iface, target:  
iqn.2001-05.com.equallogic:0-8a0906-95ce59d02-  
2e0f999767f4942e-mdi-data2, portal:  
10.16.7.100,3260]  
Logging in to [iface: eth0-iface, target:  
iqn.2001-05.com.equallogic:0-8a0906-93ee59d02-  
674f999767d4942e-mdi-data1, portal:  
10.16.7.100,3260]  
Logging in to [iface: eth0-iface, target:  
iqn.2001-05.com.equallogic:0-8a0906-97be59d02-  
d7ef99976814942e-mdi-fral, portal:  
10.16.7.100,3260]  
Login to [iface: eth0-iface, target: iqn.2001-  
05.com.equallogic:0-8a0906-90ee59d02-  
e26f999767b4942e-mdi-ocr-css-spfile, portal:  
10.16.7.100,3260]: successful  
Login to [iface: eth0-iface, target: iqn.2001-  
05.com.equallogic:0-8a0906-95ce59d02-  
2e0f999767f4942e-mdi-data2, portal:  
10.16.7.100,3260]: successful
```

```
Login to [iface: eth0-iface, target: iqn.2001-05.com.equallogic:0-8a0906-93ee59d02-674f999767d4942e-mdi-data1, portal: 10.16.7.100,3260]: successful

Login to [iface: eth0-iface, target: iqn.2001-05.com.equallogic:0-8a0906-97be59d02-d7ef99976814942e-mdi-fral, portal: 10.16.7.100,3260]: successful

# iscsiadm -m node -p 10.16.7.100 --interface eth1-iface --login

Logging in to [iface: eth1-iface, target: iqn.2001-05.com.equallogic:0-8a0906-90ee59d02-e26f999767b4942e-mdi-ocr-css-spfile, portal: 10.16.7.100,3260]

Logging in to [iface: eth1-iface, target: iqn.2001-05.com.equallogic:0-8a0906-95ce59d02-2e0f999767f4942e-mdi-data2, portal: 10.16.7.100,3260]

Logging in to [iface: eth1-iface, target: iqn.2001-05.com.equallogic:0-8a0906-93ee59d02-674f999767d4942e-mdi-data1, portal: 10.16.7.100,3260]

Logging in to [iface: eth1-iface, target: iqn.2001-05.com.equallogic:0-8a0906-97be59d02-d7ef99976814942e-mdi-fral, portal: 10.16.7.100,3260]

Login to [iface: eth1-iface, target: iqn.2001-05.com.equallogic:0-8a0906-90ee59d02-e26f999767b4942e-mdi-ocr-css-spfile, portal: 10.16.7.100,3260]: successful

Login to [iface: eth1-iface, target: iqn.2001-05.com.equallogic:0-8a0906-95ce59d02-2e0f999767f4942e-mdi-data2, portal: 10.16.7.100,3260]: successful
```

```
Login to [iface: eth1-iface, target: iqn.2001-05.com.equallogic:0-8a0906-93ee59d02-674f999767d4942e-mdi-data1, portal: 10.16.7.100,3260]: successful
```

```
Login to [iface: eth1-iface, target: iqn.2001-05.com.equallogic:0-8a0906-97be59d02-d7ef99976814942e-mdi-fral, portal: 10.16.7.100,3260]: successful
```

- 12 アクティブな接続とセッションのすべてを表示し、確認します。
`iscsiadm -m session -i`
- 13 パーティションが OS から認識できることを確認します。
cat /proc/partitions
- 14 クラスタ内の残りのすべてのホストで手順 1 ~ 手順 13 を繰り返します。

ボリュームに対する Device-Mapper Multipath の設定

- 1 **Oracle** 用に作成したデバイスに対して `/sbin/scsi_id` コマンドを実行し、一意のデバイス ID を取得します。

```
/sbin/scsi_id -gus /block/<デバイス>  
たとえば、次のとおりです。
```

```
# scsi_id -gus /block/sda
```

- 2 **/etc/multipath.conf** 内の次のセクションからコメントを削除します。

```
blacklist {  
    wwid 26353900f02796769  
    devnode "^(ram|raw|loop|fd|md|dm-  
|sr|scd|st)[0-9]*"  
    devnode "^hd[a-z]"  
}
```

- 3 **/etc/multipath.conf** 内の次のセクションからコメントを削除します。

```
defaults {
    udev_dir                /dev
    polling_interval        10
    selector                "round-robin 0"
    path_grouping_policy    multibus
    getuid_callout          "/sbin/scsi_id -g -u -s
/block/%n"
    prio_callout            /bin/true
    path_checker            readsector0
    rr_min_io               100
    max_fds                 8192
    rr_weight               priorities
    failback                immediate
    no_path_retry           fail
    user_friendly_names     yes
}
```

- 4 **/etc/multipath.conf** 内に次のセクションを追加します。**WWID** は手順 1 で取得されています。エイリアス名がクラスタ内のすべてのホストで一致していることを確認します。

```
multipaths {
    multipath {
        wwid   ボリューム 1 の WWID
        alias  ボリューム 1 のエイリアス
    }
    multipath {
        wwid   ボリューム 2 の WWID
        alias  ボリューム 2 のエイリアス
    }
}
```

(各追加ボリュームについて、マルチパスサブセクションを追加します。)

```
}
```

次のサンプルには、4つのボリュームの構成が含まれています。

```
multipaths {
    multipath {
        wwid          36090a028d059ee902e94b4
6797996fe2
        alias         ocr-css-spfile
    }
    multipath {
        wwid          36090a028d059ee932e94d4
6797994f67
        alias         data1
    }
    multipath {
        wwid          36090a028d059ce952e94f4
6797990f2e
        alias         data2
    }
    multipath {
        wwid          36090a028d059be972e9414
689799efd7
        alias         fra1
    }
}
```

- 5 マルチパスデーモンを再起動し、エイリアス名が **multipath -l1** の出力結果に表示されていることを確認します。

```
service multipathd restart
multipath -ll
```

たとえば、次のとおりです。

```
fra1 (36090a028d059be972e9414689799efd7) dm-13
EQLOGIC,100E-00
[size=5.0G][features=1
queue_if_no_path][hwhandler=0]
\_ round-robin 0 [prio=0][enabled]
\_ 96:0:0:0 sds 65:32 [active][ready]
\_ 92:0:0:0 sdab 65:176 [active][ready]
```

```

ocr-css-spfile
(36090a028d059ee902e94b46797996fe2) dm-11
EQLOGIC,100E-00
[size=2.0G][features=1
queue_if_no_path][hwhandler=0]
\_ round-robin 0 [prio=0][enabled]
\_ 93:0:0:0 sdf 8:80 [active][ready]
\_ round-robin 0 [prio=0][enabled]
\_ 86:0:0:0 sdad 65:208 [active][ready]

data2 (36090a028d059ce952e94f46797990f2e) dm-8
EQLOGIC,100E-00
[size=20G][features=1
queue_if_no_path][hwhandler=0]
\_ round-robin 0 [prio=0][enabled]
\_ 97:0:0:0 sdc 8:32 [active][ready]
\_ 98:0:0:0 sdd 8:48 [active][ready]

data1 (36090a028d059ee932e94d46797994f67) dm-18
EQLOGIC,100E-00
[size=20G][features=1
queue_if_no_path][hwhandler=0]
\_ round-robin 0 [prio=0][enabled]
\_ 95:0:0:0 sdq 65:0 [active][ready]
\_ 89:0:0:0 sdac 65:192 [active][ready]

```

- 6 /dev/mapper/*** デバイスが作成されていることを確認します。これらのデバイス名は、以下のセクションにおけるマルチパスデバイスにアクセスし、やりとりを行う際に使用する必要があります。

たとえば、次のとおりです。

```

# ls -lt /dev/mapper/*

crw----- 1 root root 10, 63 Dec 15 11:22
/dev/mapper/control
brw-rw---- 1 root disk 253, 18 Dec 15 11:51
/dev/mapper/data1
brw-rw---- 1 root disk 253, 8 Dec 15 13:47
/dev/mapper/data2
brw-rw---- 1 root disk 253, 13 Dec 15 11:51
/dev/mapper/fral

```

```
brw-rw---- 1 root disk 253, 11 Dec 15 11:51
/dev/mapper/ocr-css-spfile
brw-rw---- 1 root disk 253,  6 Dec 15 11:22
/dev/mapper/osvg-crs
brw-rw---- 1 root disk 253,  3 Dec 15 11:22
/dev/mapper/osvg-home
brw-rw---- 1 root disk 253,  4 Dec 15 11:22
/dev/mapper/osvg-opt
brw-rw---- 1 root disk 253,  0 Dec 15 11:22
/dev/mapper/osvg-root
brw-rw---- 1 root disk 253,  7 Dec 15 11:22
/dev/mapper/osvg-swap
brw-rw---- 1 root disk 253,  1 Dec 15 11:22
/dev/mapper/osvg-tmp
brw-rw---- 1 root disk 253,  2 Dec 15 11:22
/dev/mapper/osvg-usr
brw-rw---- 1 root disk 253,  5 Dec 15 11:22
/dev/mapper/osvg-var
```

- 7 クラスタ内の残りのすべてのホストで手順 1 ~ 手順 7 を繰り返します。

ホストのデータベースストレージ（記憶域）の設定

 **警告：**本項の手順を開始する前に、システムに付属しているガイドの安全にお使いいただくための注意事項をお読みください。ベストプラクティスの追加情報については、デルの規制順守に関するウェブサイト www.dell.com/regulatory_compliance を参照してください。

Oracle® RAC（Real Application Clusters）は、順序化された一連の手順を必要とする複雑なデータベース設定です。以下の項では、お使いのホストでファイバーチャネル、直接接続 SAS、または iSCSI ストレージ用のストレージディスクを検証、調整、および設定する方法について説明します。

ストレージディスクの検証と識別

クラスタの設定中に、ファイバーチャネル、直接接続 SAS、または iSCSI ストレージシステムにパーティションを作成します。パーティションを作成するには、すべてのノードが外付けストレージデバイスを検出する必要があります。

 **メモ：**本項の手順は、直接接続 SAS ストレージおよびファイバーチャネルストレージ用に Oracle データベースを導入する方法を説明したものです。以下の手順ではファイバーチャネルストレージの術語を使用していますが、直接接続 SAS または iSCSI ストレージ（Dell™ PowerVault™ MD3000/MD3000i または Dell EqualLogic ストレージアレイ）を使用される場合は、表 7-1 を参照してファイバーチャネルの術語を直接接続 SAS または iSCSI ストレージの術語に置き換えてください。

表 7-1. ファイバーチャネル、直接接続 SAS、および EqualLogic アレイの術語

ファイバーチャネルストレージ	直接接続 SAS または iSCSI (MD3000/MD3000i)	EqualLogic アレイポリシー
LUN	仮想ディスク	ボリューム
/dev/emcpower(X)	/dev/sd(X)	/dev/sd(X)
PowerPath	マルチパス (MPIO)	Device Mapper

各ノードが各ストレージ LUN または論理ディスクを検出できることを確認するには、以下の手順を実行します。

- 1 Dell/EMC ファイバーチャネルストレージシステムの場合は、各ノードに EMC[®] Navisphere[®] エージェントと正しいバージョンの PowerPath[®] がインストールされていることを確認します。各ノードが EMC Navisphere ソフトウェア内で正しいストレージグループに割り当てられていることを確認します。手順については、Dell/EMC ファイバーチャネルストレージシステムに付属のマニュアルを参照してください。

 **メモ**：クラスタをインストールするか、またはノードにソフトウェアを再インストールする場合は、手順 1 を実行する必要があります。

- 2 ストレージデバイスとノードが正しくファイバーチャネルスイッチ (図 3-1 および 表 3-1 を参照) に接続されていることを目視点検します。
- 3 **root** としてログインしていることを確認します。
- 4 各ノードで、次のように入力します。

```
more /proc/partitions
```

ノードは、LUN または論理ディスク、およびこれらの外付けデバイス上で作成されたパーティションを検出し、表示します。

 **メモ**：リストのデバイスはストレージシステムの設定によって異なります。

ノードで検出された LUN または論理ディスクが、これらの外付けデバイスに作成されたパーティションとともに一覧表示されます。このリストには、PowerPath 仮想デバイスが **/dev/emcpowera**、**/dev/emcpowerb**、**/dev/emcpowerc** のように表示されます。直接接続 SAS または iSCSI 構成の場合、仮想ディスクは **/dev/sdb**、**/dev/sdc** のように表示されます。

5 **/proc/partitions** ファイル内で、以下のことを確認します。

- すべての PowerPath 擬似デバイスが、すべてのノードで類似するデバイス名を持つファイル内に表示されていること。
たとえば、**/dev/emcpowera**、**/dev/emcpowerb**、および **/dev/emcpowerc** です。
- PowerVault MD3000/MD3000i または EqualLogic ストレージレイの場合は、すべての仮想ディスクまたはボリュームが、すべてのノードで類似するデバイス名を持つファイル内に表示されていること。
たとえば、**/dev/sdb**、**/dev/sdc**、および **/dev/sdd** です。
- 外付けストレージの論理ボリュームが SCSI デバイスとして表示され、各ノードが同数の LUN、仮想ディスク、またはボリュームで構成されていること。たとえば、ノードが SCSI ドライブまたは RAID コンテナを取り付けて構成されている場合は、次のとおりです。

3 つの論理ディスクを持つファイバーチャネルストレージデバイスの場合：

- **sda** はノードの RAID コンテナまたは内蔵ドライブを指す。
- **emcpowera**、**emcpowerb**、および **emcpowerc** は LUN（または PowerPath 擬似デバイス）を指す。

3 つの仮想ディスクを持つ直接接続の SAS または iSCSI ストレージデバイスの場合：

- **sda** はノードの RAID コンテナまたは内蔵ドライブを指す。
- **sdb**、**sdc**、および **sdd** は外付けストレージの論理ボリュームを指す。

6 外付けストレージデバイスが **/proc/partitions** ファイル内に表示されない場合は、ノードを再起動します。

Linux システム用のディスクパーティションの調整

△ 注意：Linux を使用しているシステムでは、データを LUN/ 仮想ディスクに書き込む前にパーティションテーブルを揃えます。パーティションマップが書き換えられ、LUN/ 仮想ディスク上のすべてのデータが破棄されます。

例：fdisk ユーティリティの引数

次の例では、**fdisk** ユーティリティの引数を示します。この例では、LUN が **/dev/emcpowera** にマップされ、LUN ストライプエレメントのサイズは 128 ブロックです。

 **メモ**：この例では、ディスク **/dev/emcpowera** にはプライマリパーティション **/dev/emcpowera1** がすでに存在しています。PowerVault MD3000/MD3000i または EqualLogic ストレージアレイの場合、パーティションは **/dev/sdb1** 上に作成されます。

```
fdisk /dev/emcpowera
```

 **メモ**：以下の手順を実行する前に、**/dev/emcpowera** 上にパーティションを作成します。

```
x # expert mode (エキスパートモード)
b # adjust starting block number (開始ブロック番号を調整)
1 # choose partition 1 (パーティション 1 を選択)
128 # set it to 128 (128 に設定 (128 は Dell/EMC CX シリーズ
のファイバーチャネルストレージ上のストライプエレメントのデフォルト
サイズ))
w # write the new partition (新しいパーティションの書き込み)
```

スナップショット、クローン、または MirrorView イメージを持つ LUN には、LUN 配置オフセット方式よりも **fdisk** 方式を使用することをお勧めします。ソースとターゲットの SAN コピーを作成することもお勧めします。

ディスクパーティションの調整に fdisk ユーティリティを使用する方法

- 1 コマンドプロンプトで、次のように入力します。

`fdisk <パーティション名>`

<パーティション名> は、調整するパーティションの名前です。

たとえば、パーティション名が **/dev/emcpowera** なら、次のように入力します。 `fdisk /dev/emcpowera`

次のメッセージが表示されます。

```
The number of cylinders for this disk is set  
to 8782.
```

```
There is nothing wrong with that, but this is  
larger than 1024, and could in certain setups  
cause problems with:
```

```
1) software that runs at boot time (e.g., old  
versions of LILO)
```

```
2) booting and partitioning software from  
other OSs (e.g., DOS FDISK, OS/2 FDISK)
```

(このディスクのシリンダー数は 8782 に設定されています。

それ自体には何ら問題はありませんが、1024 を上回っており、
そのため、セットアップによっては、

```
1) 起動時に実行されるソフトウェア (旧バージョンの LILO)
```

```
2) 他の OS からの起動 / パーティション分割用ソフトウェア  
(DOS FDISK、OS/2 FDISK など)
```

に関して問題が発生する可能性があります。)

- 2 コマンドプロンプトで、**fdisk** ユーティリティ引数 `x` を入力します。
- 3 コマンドプロンプトで、**fdisk** ユーティリティ引数 `b` を入力します。
- 4 パーティション番号を要求されたら、コマンドプロンプトでパーティション番号を入力します。例：1
- 5 ディスクパーティション上にデータの開始点として新しい位置を指定します。例：128

- 6 コマンドプロンプトで、**fdisk** ユーティリティ引数 **w** を入力します。次のメッセージが表示されます。
The partition table has been altered!
Calling ioctl() to re-read partition table.
Syncing disks.
(パーティションテーブルが変更されました。パーティションテーブルを読みなおすために `ioctl()` を呼び出し中。ディスクの同期化中。)
- 7 すべての Oracle データ LUN に対して手順 1 ~ 手順 6 を繰り返します。

RAC 環境におけるクラスタウェア、データベース、およびリカバリファイル用の共有ストレージの設定

ORACLEASM ライブラリドライバを使用して、ディスクを自動ストレージ管理 (ASM) 用に設定します。ASM ディスクを設定するには、以下の手順を実行します。

- 1 **root** としてログインします。
- 2 すべてのノードでターミナルウィンドウを開き、次の手順を実行します。
 - a `service oracleasm configure` と入力します。
 - b すべてのノードについて、以下の入力を行います。

Default user to own the driver interface (ドライバインタフェースを所有するデフォルトユーザー) []:grid

Default group to own the driver interface (ドライバインタフェースを所有するデフォルトグループ) []:asmadmin

Start Oracle ASM library driver on boot (起動時に Oracle ASM ライブラリドライバを開始する) (y/n) [n]:y

Fix permissions of Oracle ASM disks on boot
(起動時に Oracle ASM ディスクのパーミッションを修正) (y/n) [y]:y

- この手順は、RAC の構成に EqualLogic iSCSI ストレージと Linux Device Mapper Multipath ドライバを使用する場合にのみ行ってください。

- `/etc/sysconfig/oracleasm` 内の `ORACLEASM_SCANORDER` パラメータを `dm` に設定します。

- システムを再起動して変更を適用します。

- 最初のノードのターミナルウィンドウで次のテキストを入力し、`<Enter>` を押します。

```
service oracleasm createdisk ASM1 /dev/emcpowerb1
```

```
service oracleasm createdisk ASM2 /dev/emcpowerc1
```

- ASM ディスクを追加で作成する必要がある場合は、それぞれに手順 4 を繰り返します。

- ASM ディスクが作成され、ASM 使用のマークが付いていることを確認します。ターミナルウィンドウで次のテキストを入力し、`<Enter>` を押します。

```
service oracleasm listdisks
```

手順 4 で作成したディスクが表示されます。たとえば、次のとおりです。

```
ASM1
```

```
ASM2
```

- 残りのノードが手順 4 で作成した ASM ディスクにアクセスできることを確認します。残りの各ノードでターミナルウィンドウを開き、次のテキストを入力し、`<Enter>` を押します。

```
service oracleasm scandisks
```


索引

D

Dell|EMC ファイバーチャネル
スイッチ, 312
ストレージ, 312

E

EMC
Navisphere, 348
PowerPath, 348
Enterprise Linux, 290

I

ifconfig, 294
IP アドレス
仮想 IP アドレス, 293
パブリック IP アドレス, 293
プライベート IP アドレス, 293

L

LUN, 290

M

Modular Disk Storage
Manager, 321
MPIO ソフトウェア, 321
MTU, 335

N

NIC
ポートの割り当て, 293

P

PowerConnect スイッチ, 330
PowerPath 擬似デバイス, 348

S

SAS
クラスタのセットアップ, 317,
323, 329, 347

い

イーサネットスイッチ, 312

え

エイリアス名, 343

か

仮想ディスク, 290

け

ケーブル

CAT 5e, 312

CAT 6, 312

ケーブル接続

iSCSI クラスタ, 325

ファイバーチャネルストレージ, 313

こ

高可用性, 295

し

資格認証とトレーニング

Oracle, 291

デル, 290

ジャンボフレーム, 335

と

ドメインネームサービス, 293

ね

ネットワークパラメータ, 296

ネットワークボンディング, 295

ふ

ファイバーチャネル

SAN 接続構成, 314

直接接続構成, 313

へ

ヘルプ, 290

Oracle サポート, 291

デルサポート, 290

ほ

ボリューム, 333

ボンディング済みのペア, 294

よ

用語

グループ, 329

プール, 329

ボリューム, 329

メンバー, 329

り

リソースメディア

PowerVault MD3000, 322

リンク監視, 295

Sistemas Dell™
PowerEdge™ — Base de
datos Oracle® en Enterprise
Linux® x86_64

**Guía de
almacenamiento y redes
versión 1.3**



Notas, precauciones y avisos



NOTA: Una NOTA proporciona información importante que le ayudará a utilizar mejor el ordenador.



PRECAUCIÓN: Un mensaje de PRECAUCIÓN indica la posibilidad de daños en el hardware o la pérdida de datos si no se siguen las instrucciones.



AVISO: Un mensaje de AVISO indica el riesgo de daños materiales, lesiones o incluso la muerte.

La información contenida en este documento puede modificarse sin previo aviso.

© 2010 Dell Inc. Todos los derechos reservados.

Queda estrictamente prohibida la reproducción de este material en cualquier forma sin la autorización por escrito de Dell Inc.

Marcas comerciales utilizadas en este texto: *Dell*, el logotipo de *DELL*, *EqualLogic*, *Optiplex*, *PowerConnect*, *PowerEdge* y *PowerVault* son marcas comerciales de Dell Inc.; *Broadcom* es una marca comercial de Broadcom Corp; *EMC*, *Navisphere* y *PowerPath* son marcas comerciales registradas de EMC Corporation; *Intel* es una marca comercial registrada de Intel en los Estados Unidos y en otros países; *Oracle* es una marca comercial registrada de Oracle Corporation o de sus filiales. *Red Hat* y *Red Hat Enterprise Linux* son marcas comerciales registradas de Red Hat, Inc. en los Estados Unidos y en otros países.

Otras marcas y otros nombres comerciales pueden utilizarse en este documento para hacer referencia a las entidades que los poseen o a sus productos. Dell Inc. renuncia a cualquier interés sobre la propiedad de marcas y nombres comerciales que no sean los suyos.

Contenido

1	Información general	363
	Documentación necesaria para implantar la base de datos Dell Oracle	363
	Terminología utilizada en este documento	364
	Obtención de ayuda	364
	Asistencia de Dell	364
	Asistencia de Oracle	365
2	Configuración de la red	367
	Configuración de la red pública	368
	Configuración de la red privada mediante bonding	369
	Configuración de la equivalencia de usuario	371
	Configuración de ssh	371
	Requisitos para las direcciones IP y la resolución de nombres	371
	Para un clúster que utiliza GNS	371
	Para un clúster que utiliza DNS	374
	Habilitación de IPMI	376
	Requisitos previos para habilitar IPMI	376
	Configuración del controlador OpenIPMI	377
	Configuración de la BMC mediante IPMItool	378

3	Configuración de un clúster Fibre Channel	383
	Conexiones de hardware para un clúster	
	Fibre Channel.	383
	Cableado del sistema de almacenamiento	
	Fibre Channel.	386
	Configuración Fibre Channel de conexión directa.	386
	Configuración Fibre Channel de conexión mediante SAN.	387
4	Configuración de un clúster SAS para los alojamientos de expansión Dell PowerVault MD3000 y MD1000	389
	Configuración del hardware.	391
	Instalación de software de almacenamiento basado en host.	393
	Verificación y actualización del firmware	393
	Instalación del controlador del adaptador SAS 5/E.	393
	Realización de las tareas posteriores a la instalación.	394

5	Configuración de un clúster iSCSI para los alojamientos para almacenamiento Dell™ PowerVault™ MD3000i y MD1000	395
	Configuración del hardware.	397
	Instalación del software basado en host necesario para el almacenamiento	400
	Verificación y actualización del firmware	400
	Tareas posteriores a la instalación	400
6	Configuración de un clúster iSCSI para los sistemas de almacenamiento Dell EqualLogic serie PS	401
	Terminología de EqualLogic.	401
	Configuración de un sistema de almacenamiento iSCSI EqualLogic.	402
	Creación de volúmenes.	405
	Configuración de redes iSCSI	407
	Configuración del acceso de host a volúmenes	408

7	Configuración del almacenamiento de base de datos en el host	419
	Verificación e identificación de los discos de almacenamiento	419
	Ajuste de las particiones de disco para sistemas que ejecutan el sistema operativo Linux	422
	Ejemplo: Argumentos de la utilidad fdisk	422
	Uso de la utilidad fdisk para ajustar una partición de disco	423
	Configuración del almacenamiento compartido para archivos de recuperación, de base de datos y de software de clúster en un entorno RAC	424
	Índice	427

Información general

Este documento constituye una guía general para configurar los requisitos de red y de almacenamiento necesarios para la ejecución de la base de datos Dell|Oracle en un sistema instalado con el sistema operativo Red Hat® Enterprise Linux® u Oracle® Enterprise Linux. Este documento se aplica a la base de datos Oracle 11g R2 con Red Hat Enterprise Linux u Oracle Enterprise Linux 5.3 AS x86_64. Para ver una lista de las configuraciones de red y de almacenamiento admitidas por su sistema, vaya a dell.com/oracle y seleccione **Dell™ Validated Components** (Componentes validados por Dell™).

Documentación necesaria para implantar la base de datos Dell|Oracle



NOTA: La documentación siguiente se encuentra disponible en support.dell.com/manuals.

- *Sistemas Dell PowerEdge — Base de datos Oracle en Enterprise Linux x86_64 — Guía de instalación del sistema operativo y el hardware:* en ella se describen las versiones mínimas de software y hardware necesarias y se explica cómo instalar y configurar el sistema operativo, cómo verificar las configuraciones de hardware y software y cómo obtener archivos de código fuente abierto.
- *Sistemas Dell PowerEdge — Base de datos Oracle en Enterprise Linux x86_64 — Guía de almacenamiento y redes:* en ella se describe cómo instalar y configurar las soluciones de almacenamiento y redes.
- *Sistemas Dell PowerEdge — Base de datos Oracle en Enterprise Linux x86_64 — Guía de configuración e instalación de la base de datos:* en ella se describe cómo instalar y configurar la base de datos Oracle.
- *Sistemas Dell PowerEdge — Base de datos Oracle en Enterprise Linux x86_64 — Guía de solución de problemas:* en ella se describe cómo solucionar problemas y resolver errores encontrados durante los procedimientos de instalación descritos en los módulos anteriores.



NOTA: En todos los módulos se proporciona información sobre cómo obtener asistencia técnica de Dell.

Terminología utilizada en este documento

En este documento, los términos número de unidad lógica (LUN) y disco virtual se utilizan como sinónimos. El término LUN suele utilizarse en un entorno de sistema de almacenamiento Dell/EMC Fibre Channel. El término disco virtual suele utilizarse en un entorno de almacenamiento SAS (SCSI de conexión serie) Dell PowerVault™ (PowerVault MD3000 y PowerVault MD3000i con expansión PowerVault MD1000) o en un entorno de almacenamiento iSCSI Dell EqualLogic.



NOTA: A menos que se especifique lo contrario, en este documento el término *Enterprise Linux* se utiliza para referirse tanto a Red Hat Enterprise Linux como a Oracle Enterprise Linux.

Obtención de ayuda

Asistencia de Dell

- Para obtener información detallada sobre el uso del sistema, consulte la documentación suministrada con los componentes del sistema.
- En dell.com/oracle encontrará documentos técnicos, las configuraciones admitidas por Dell e información general.
- Para obtener asistencia técnica de Dell para el hardware y el software del sistema operativo, y para descargar las últimas actualizaciones del sistema, vaya a support.dell.com/manuals.
- Para obtener información sobre cómo ponerse en contacto con Dell, consulte el documento *Sistemas Dell PowerEdge — Base de datos Oracle en Enterprise Linux x86_64 — Guía de solución de problemas* en support.dell.com/manuals.
- Ahora tiene a su disposición el servicio de formación y certificación Dell para empresas. Para obtener más información, visite dell.com/training. Es posible que este servicio de formación no se ofrezca en todas las regiones.
- Para obtener información sobre cómo instalar y configurar Oracle, consulte el documento *Sistemas Dell PowerEdge — Base de datos Oracle en Enterprise Linux x86_64 — Guía de configuración e instalación de la base de datos* en support.dell.com/manuals.

Asistencia de Oracle

- Para obtener información de formación sobre el software Oracle y el software de clúster de aplicaciones e información sobre cómo ponerse en contacto con Oracle, visite la página web de Oracle (oracle.com) o consulte la documentación de Oracle.
- Encontrará información sobre asistencia técnica, descargas y otras cuestiones técnicas en metalink.oracle.com.

Configuración de la red

En esta sección se proporciona información sobre cómo configurar la red de clúster pública y privada.



NOTA: Cada nodo de una red requiere una dirección de protocolo Internet (IP) pública y privada exclusiva. Se requiere otra dirección IP pública que sirva de dirección IP virtual en las conexiones de cliente y en caso de sustitución tras error de las conexiones. Por lo tanto, cada nodo requiere un total de tres direcciones IP. La dirección IP virtual debe pertenecer a la misma subred que la IP pública. Todas las direcciones IP públicas, incluida la dirección IP virtual, deben estar registradas con el servicio de nombres de dominio (DNS) y deben ser enrutables. Para obtener más información, consulte “Requisitos para las direcciones IP y la resolución de nombres” en la página 371.

Según el número de puertos NIC disponibles, configure las interfaces como se muestra en la tabla 2-1.

Tabla 2-1. Asignaciones de puertos NIC

Puerto NIC	Puertos disponibles
1	IP pública, IP virtual e IP de SCAN (nombre de acceso de un cliente)
2	IP privada (bonding)
3	IP privada (bonding)

Configuración de la red pública

 **NOTA:** Asegúrese de que su dirección IP pública sea una dirección IP válida y enrutable.

 **NOTA:** Los dos puertos NIC de bonding de una red privada deben estar en buses PCI distintos. Por ejemplo, un par de bonding puede constar de una NIC integrada y una tarjeta NIC adicional.

Para configurar la red pública en *cada nodo*:

- 1 Inicie la sesión como **root**.
- 2 Edite el archivo del dispositivo de red `/etc/sysconfig/network-scripts/ifcfg-eth#`,
donde `#` es el número del dispositivo de red:

 **NOTA:** Asegúrese de que la dirección de *puerta de enlace* está configurada para la interfaz de red pública. Si la dirección de *puerta de enlace* no está configurada, la instalación de Grid puede fallar.

```
DEVICE=eth0
ONBOOT=yes
IPADDR=<Public IP Address>
NETMASK=<Subnet mask>
BOOTPROTO=static
HWADDR=<MAC Address>
SLAVE=no
GATEWAY=<Gateway Address>
```

- 3 Edite el archivo `/etc/sysconfig/network` y, en caso necesario, sustituya `localhost.localdomain` por el nombre completo del nodo público.
Por ejemplo, el comando para el nodo 1:
`hostname=nodel.domain.com`
- 4 Escriba `service network restart` para reiniciar el servicio de red.
- 5 Escriba `ifconfig` para comprobar que las direcciones IP están definidas correctamente.
- 6 Para comprobar la configuración de la red, ejecute el comando `ping` para cada dirección IP pública desde un cliente de la LAN que no forme parte del clúster.
- 7 Conéctese a cada nodo para comprobar que la red pública está operativa.
Escriba `ssh <public IP>` para comprobar que el comando **secure shell** (`ssh`) funciona.

Configuración de la red privada mediante bonding

Antes de implantar el clúster, configure la red de clúster privada para permitir que los nodos se comuniquen entre sí. Para ello, es necesario configurar el bonding de red y asignar una dirección IP privada y un nombre de host a cada nodo del clúster.

Para establecer el bonding de red para las NIC Broadcom® o Intel® y configurar la red privada en *cada nodo*:

- 1 Inicie la sesión como **root**.
- 2 Añada la siguiente línea al archivo `/etc/modprobe.conf`:
`alias bond0 bonding`
- 3 Para obtener una alta disponibilidad, edite el archivo `/etc/modprobe.conf` y establezca la opción de supervisión de enlaces.

El valor predeterminado para **miimon** es **0**. El valor predeterminado deshabilita la supervisión de enlaces. Para empezar, cambie el valor a **100** milisegundos. Ajuste el valor de la supervisión de enlaces según sea necesario para mejorar el rendimiento. Por ejemplo, escriba:
`options bonding miimon=100 mode=6 max_bonds=2`

- 4 En el directorio `/etc/sysconfig/network-scripts/`, cree o edite el archivo de configuración `ifcfg-bond0`.

Por ejemplo, si se utilizan los parámetros de red de muestra, el archivo queda así:

```
DEVICE=bond0
IPADDR=192.168.0.1
NETMASK=255.255.255.0
NETWORK=192.168.0.0
BROADCAST=192.168.0.255
ONBOOT=yes
BOOTPROTO=none
USERCTL=no
```

Las entradas de `NETMASK`, `NETWORK` y `BROADCAST` son opcionales. `DEVICE=bondn` es el nombre requerido para el bond, donde *n* es el número de bond. `IPADDR` es la dirección IP privada.

Para utilizar **bond0** como un dispositivo virtual, se deben especificar los dispositivos que son esclavos en el bonding.

- 5 Para cada uno de los dispositivos miembros del bond:
 - a En el directorio `/etc/sysconfig/network-scripts/`, edite el archivo `ifcfg-ethn`:

```
DEVICE=ethn
HWADDR=<MAC ADDRESS>
ONBOOT=yes
TYPE=Ethernet
USERCTL=no
MASTER=bond0
SLAVE=yes
BOOTPROTO=none
```
 - b Escriba `service network restart` e ignore todos los avisos.
- 6 En *cada nodo*, escriba `ifconfig` para comprobar que la interfaz privada está operativa.
La dirección IP privada del nodo debe asignarse a la interfaz privada `bond0`.
- 7 Cuando las direcciones IP privadas estén configuradas en cada nodo, ejecute el comando `ping` para cada dirección IP desde un nodo para asegurarse de que la red privada está operativa.
- 8 Conéctese a cada nodo. Compruebe que la red privada y Secure Shell (`ssh`) funcionan correctamente; para ello, escriba:
`ssh <private IP>`

Configuración de la equivalencia de usuario

Configuración de ssh

- 1 En el nodo primario, inicie la sesión como **root**.
- 2 Ejecute la secuencia de comandos **sshUserSetup.sh** situada en la carpeta de binarios de Grid, bajo la carpeta **sshsetup**:

```
sh sshUserSetup.sh -hosts "host1 host2" -user grid  
-advanced
```

```
sh sshUserSetup.sh -hosts "host1 host2" -user  
oracle -advanced
```

donde *host1* y *host2* son los nombres de los nodos del clúster.

Una vez completado el paso 2, puede configurar **ssh** en otros nodos de Grid e iniciar la sesión como un usuario Oracle. Durante el inicio de sesión no se le debería solicitar una contraseña.

Requisitos para las direcciones IP y la resolución de nombres

Para un clúster que utiliza GNS

Los requisitos básicos para configurar un clúster Oracle 11g R2 RAC que utiliza un servidor de nombres global (GNS) de Oracle son:

- Al menos dos interfaces configuradas en cada nodo, una para la dirección IP privada y otra para la dirección IP pública.
- Un servidor de nombres de dominio (DNS) en ejecución en la red para la resolución de la dirección IP virtual de GNS.
- La entrada de DNS para establecer la búsqueda DNS y dirigir la resolución DNS de un subdominio al clúster.
- Un servicio DHCP en ejecución en la red pública para el clúster.
- Direcciones suficientes en DHCP para proporcionar una dirección IP para la IP virtual de cada nodo y tres direcciones IP para el clúster utilizado por SCAN.

En la tabla 2-2 se describen las interfaces, los valores de dirección IP y las resoluciones de un clúster.

Tabla 2-2. Valores de dirección IP en un clúster que utiliza GNS

Interfaz	Tipo	Resolución
Pública	Estática	/etc/hosts
Privada	Estática	No es necesaria
IP virtual del nodo	DHCP	GNS
IP virtual de GNS	Estática	DNS
IP virtual de SCAN	DHCP	GNS

Configuración de un servidor DNS

Para configurar un servidor DNS mediante GNS:

- 1 Configure la dirección VIP de GNS en el servidor DNS: en el DNS, cree una entrada de resolución de nombre para la dirección IP virtual de GNS en el archivo de búsqueda directa.

Por ejemplo: `gns-server IN A 192.0.2.2`

donde *gns-server* es la dirección IP virtual de GNS proporcionada durante la instalación de Grid. La dirección que proporcione debe ser enrutable y debe encontrarse dentro del rango público. Por ejemplo, 192.0.2.2.

- 2 Configure la delegación de subdominio de GNS: en el DNS, cree una entrada para establecer la búsqueda DNS que dirija la resolución DNS de un subdominio de GNS al clúster. Añada lo siguiente al archivo de búsqueda DNS: `clusterdomain.example.com. NS gns-server.example.com.`

donde *clusterdomain.example.com* es el subdominio de GNS (proporcionado durante la instalación de Grid) que se delega y *gns-server.clustername.com* se resuelve como la dirección IP virtual de GNS.

Configuración de un cliente DNS

Para configurar un cliente DNS:

- 1 Añada entradas de host para el nombre de dominio en el archivo `/etc/hosts`. En cada nodo, modifique las líneas del archivo `/etc/hosts`; para ello, escriba:

```
127.0.0.1 localhost.localdomain localhost
<public IP node1> <fully qualified hostname node1>
<public hostname node1>

<public IP node2> <fully qualified hostname node2>
<public hostname node2>
```

- 2 En todos los nodos del clúster, edite el archivo `resolv.conf` de modo que incluya entradas de servidor de nombres que los servidores DNS puedan resolver.

Por ejemplo, edite el archivo `/etc/resolv.conf` como se indica a continuación:

```
options attempts: 2
options timeout: 1
search clusterdomain.example.com example.com
nameserver 192.0.2.1
nameserver 192.0.2.2
```

 **NOTA:** El periodo total de tiempo de espera, que es una combinación de opciones intentadas y opciones en las que se ha agotado el tiempo de espera, debe ser inferior a 30 segundos.

Donde `192.0.2.1` es la dirección válida del servidor DNS, `192.0.2.2` es la dirección IP virtual de GNS en la red y `clusterdomain.example.com` es el subdominio de GNS.

- 3 Compruebe el orden de configuración. `/etc/nsswitch.conf` controla el orden de búsqueda en el servicio de nombres.

En algunas configuraciones de sistema, el sistema de información de red (NIS) puede causar problemas con la resolución de direcciones de SCAN de Oracle. Se recomienda colocar la entrada de NIS al final de la lista de búsqueda.

Por ejemplo, `hosts: files dns nis`

Para un clúster que utiliza DNS

Los requisitos básicos para configurar un clúster Oracle 11g R2 RAC que utiliza DNS de Oracle (sin GNS) son:

- 1 Al menos dos interfaces configuradas en cada nodo, una para la dirección IP privada y otra para la dirección IP pública.
- 2 Un NOMBRE SCAN configurado en el DNS para la resolución por turnos en tres direcciones (opción recomendada) o en al menos una dirección. Las direcciones de SCAN deben encontrarse en la misma subred que las direcciones IP virtuales y que las direcciones IP públicas.



NOTA: Para obtener una alta disponibilidad y escalabilidad, Oracle recomienda configurar SCAN de modo que utilice la resolución por turnos en tres direcciones IP. El nombre de SCAN no puede empezar por un número. Para que la instalación sea correcta, SCAN debe resolverse en al menos una dirección.

En la tabla 2-3 se describen las interfaces, los valores de dirección IP y las resoluciones de un clúster.

Tabla 2-3. Valores de dirección IP en un clúster que utiliza DNS

Interfaz	Tipo	Resolución
Pública	Estática	/etc/hosts o DNS
Privada	Estática	No es necesaria
IP virtual del nodo	Estática	/etc/hosts o DNS
IP virtual de SCAN	Estática	DNS

Configuración de un servidor DNS

Para configurar los cambios en un servidor DNS para un clúster Oracle 11g R2 que utiliza un DNS (sin GNS):

- 1 Configure la resolución del NOMBRE SCAN en el servidor DNS. En el DNS, cree una entrada de resolución de nombre para la dirección IP virtual de GNS en el archivo de búsqueda directa. Por ejemplo:

```
scancluster IN A 192.0.2.1
             IN A 192.0.2.2
             IN A 192.0.2.3
```

Donde *scancluster* es el NOMBRE SCAN proporcionado durante la instalación de Grid.



NOTA: La dirección IP de SCAN debe ser enrutable y debe encontrarse dentro del rango público.

Configuración de un cliente DNS

Para configurar los cambios necesarios en los nodos del clúster para la resolución de nombres:

- 1 Añada entradas de host en el archivo */etc/hosts*. En cada nodo, modifique las líneas del archivo */etc/hosts*; para ello, escriba:

```
127.0.0.1 localhost.localdomain localhost
<public IP node1> <fully qualified hostname
node1> <public hostname node1>
<public IP node2> <fully qualified hostname
node2> <public hostname node2>
<Virtual IP node1> <fully qualified Virtual
hostname node1> <Virtual hostname node1>
<Virtual IP node2> <fully qualified Virtual
hostname node2> <Virtual hostname node2>
```

- 2 Debe configurar `resolv.conf` en los nodos del clúster de modo que contengan entradas de servidor de nombres que el servidor DNS pueda resolver. Especifique una entrada parecida a la siguiente:

```
/etc/resolv.conf:
```

```
search nsl.domainserver.com
```

```
nameserver 192.0.2.100
```

Donde *192.0.2.100* es una dirección válida del servidor DNS en la red y *nsl.domainserver.com* es el servidor de dominios de la red.

- 3 Compruebe el orden de configuración. `/etc/nsswitch.conf` controla el orden del servicio de nombres. En algunas configuraciones, NIS puede causar problemas con la resolución de direcciones de SCAN de Oracle. Se recomienda colocar la entrada de NIS al final de la lista de búsqueda. Por ejemplo, `hosts: files dns nis`

Habilitación de IPMI

Intelligent Platform Management Interface (IPMI) proporciona un conjunto de interfaces comunes para el hardware y el firmware que los administradores del sistema pueden utilizar para gestionar el sistema y supervisar su estado. Con Oracle I1g R2, el software de clúster Oracle puede integrar IPMI para proporcionar compatibilidad con aislamiento de fallos y para garantizar la integridad del clúster.

Requisitos previos para habilitar IPMI

Cada nodo del clúster requiere una controladora de administración de la placa base (BMC) que ejecute un firmware compatible con la versión 1.5 o posterior de IPMI y que esté configurada para el control remoto mediante LAN.



NOTA: Se recomienda utilizar una red de administración dedicada (puerto DRAC) para IPMI.

El RPM de Linux necesario para `ipmitool` es `OpenIPMI-tools-2.0.6-11.el5.x86_64.rpm`.

Configuración del controlador OpenIPMI

- 1 Inicie la sesión como **root**.
- 2 Para habilitar el servicio IPMI, escriba:
`Chkconfig ipmi on`
- 3 Para iniciar el servicio IPMI, escriba: `Service ipmi start`
- 4 Ejecute el comando `/sbin/lsmmod | grep ipmi` para confirmar que los módulos IPMI están cargados. Por ejemplo:

```
# /sbin/lsmmod | grep ipmi
ipmi_devintf          44753  2
ipmi_si               77453  1
ipmi_msghandler      72985  2
ipmi_devintf,ipmi_si
```
- 5 Asegúrese de que el sistema reconoce el dispositivo IPMI; para ello, utilice el comando siguiente: `ls -l /dev/ipmi0`

Si el dispositivo IPMI se ha cargado de forma dinámica, la salida debería ser parecida a la siguiente:

```
# ls -l /dev/ipmi0
crw----- 1 root root 252, 0 Dec 23 16:41
/dev/ipmi0
```

Configuración de la BMC mediante IPMITool

Utilice el ejemplo siguiente para configurar la BMC utilizando la versión 2.0 de `ipmitool`:

- 1 Inicie la sesión como `root`.
- 2 Verifique que `ipmitool` se está comunicando con la BMC mediante el controlador IPMI. Utilice los comandos siguientes para comprobar la ID de dispositivo en la salida:

```
# ipmitool bmc info
Device ID                : 32
Device Revision          : 0
Firmware Revision       : 0.20
IPMI Version             : 2.0
Manufacturer ID         : 674
Manufacturer Name       : Unknown (0x2a2)
Product ID               : 256 (0x0100)
```

Si `ipmitool` no puede comunicarse con la BMC, consulte “Configuración del controlador OpenIPMI” en la página 377 y asegúrese de que el controlador IPMI se está ejecutando.

- 3 Habilite IPMI sobre LAN
 - a Determine el número de canal para IPMI sobre LAN. Empezando por el canal 1, ejecute el comando siguiente hasta que encuentre el canal que muestra los atributos de LAN necesarios, como por ejemplo la dirección IP:

```
# ipmitool lan print 1
. . .
IP Address Source : 0x01
IP Address       : 140.87.155.89
. . .
```

- b Active el acceso a LAN para el canal encontrado. Por ejemplo, si el canal es el 1:

```
# ipmitool lan set 1 access on
```

4 Configure los valores de dirección IP para IPMI siguiendo uno de estos procedimientos:

- Mediante el direccionamiento IP dinámico: ésta es la opción predeterminada que toma Oracle Universal Installer. Se recomienda seleccionar esta opción para poder añadir y quitar nodos del clúster de forma más sencilla, ya que los valores de las direcciones pueden asignarse automáticamente.

Por ejemplo, si el canal es el 1, introduzca el comando siguiente para habilitar DHCP y establecer el canal:

```
# ipmitool lan set 1 ipsrc dhcp
```

 **NOTA:** El uso de DHCP requiere un servidor DHCP en la subred.

- Mediante el direccionamiento IP estático: si la BMC comparte una conexión de red con el sistema operativo, la dirección IP deberá encontrarse en la misma subred. Debe establecer no sólo la dirección IP, sino también los valores correctos para la máscara de red y la puerta de enlace predeterminada. Por ejemplo, suponiendo que el canal es el 1:

```
# ipmitool lan set 1 ipaddr 192.168.0.55
```

```
# ipmitool lan set 1 netmask 255.255.255.0
```

```
# ipmitool lan set 1 defgw ipaddr 192.168.0.1
```

La dirección especificada en el ejemplo (192.168.0.55) sólo está asociada a la BMC, y no responde a los pings normales.

5 Establezca una cuenta de administrador con un nombre de usuario y una contraseña mediante el procedimiento siguiente (suponiendo que el canal es el 1):

- a** Configure la BMC para que autentique la contraseña para el acceso **Admin** sobre LAN. Por ejemplo:

```
# ipmitool lan set 1 auth ADMIN MD5,PASSWORD
```

- b** Enumere los espacios para cuentas de la BMC e identifique una ranura sin utilizar (una ID de usuario con un campo de nombre de usuario vacío). Por ejemplo:

```
# ipmitool channel getaccess 1
. . .
User ID : 4
User Name :
Fixed Name : No
Access Available : call-in / callback
Link Authentication : disabled
IPMI Messaging : disabled
Privilege Level : NO ACCESS
. . .
```

- c** Asigne el nombre de usuario de administrador y la contraseña que desee y habilite la mensajería para la ranura identificada. Asimismo, establezca el nivel de privilegio 4 (ADMIN) para dicha ranura cuando se accede a ella sobre la LAN (canal 1). Por ejemplo:

```
# ipmitool user set name 4 bmcuser
# ipmitool user set password 4 password
# ipmitool user enable 4
# ipmitool channel setaccess 1 4 privilege=4
# ipmitool channel setaccess 1 4 link=on
# ipmitool channel setaccess 1 4 ipmi=on
```

Donde *bmcuser* es el nombre de usuario del administrador y *password* es la contraseña.

- d Compruebe la configuración mediante el comando `lan print 1`. La salida debería ser parecida a la siguiente:

```
# ipmitool lan print 1

Set in Progress : Set Complete

Auth Type Support : NONE MD2 MD5 PASSWORD

Auth Type Enable : Callback : MD2 MD5

: User : MD2 MD5

: Operator : MD2 MD5

: Admin : MD5 PASSWORD

: OEM : MD2 MD5

IP Address Source : DHCP Address [or Static
Address]

IP Address : 192.168.0.55

Subnet Mask : 255.255.255.0

MAC Address : 00:14:22:23:fa:f9

SNMP Community String : public

IP Header : TTL=0x40 Flags=0x40 Precedence=...

Default Gateway IP : 192.168.0.1

Default Gateway MAC : 00:00:00:00:00:00

.

.

.

# ipmitool channel getaccess 1 4

Maximum User IDs : 10

Enabled User IDs : 2

User ID : 4

User Name : bmcuser
```

```
Fixed Name : No
Access Available : call-in / callback
Link Authentication : enabled
IPMI Messaging : enabled
Privilege Level : ADMINISTRATOR
```

- 6 Compruebe que es posible acceder a la BMC y controlarla desde un nodo remoto del clúster mediante el comando **bmc info**. Por ejemplo, si *node2-ipmi* es el nombre de host de red asignado a la BMC para node2, para comprobar la BMC en node2 desde node1, introduzca el comando siguiente en node1:

```
$ ipmitool -H node2-ipmi -U bmcuser -P password
bmc info
```

Donde *bmcuser* es la cuenta de administrador y *password* es la contraseña.

Si la BMC está configurada correctamente, se mostrará la información sobre la BMC en el nodo remoto. Si aparece un mensaje de error, parecido a **Error: Unable to establish LAN session** (Error: no es posible establecer la sesión de LAN), deberá comprobar la configuración de la BMC en el nodo remoto.

Configuración de un clúster Fibre Channel

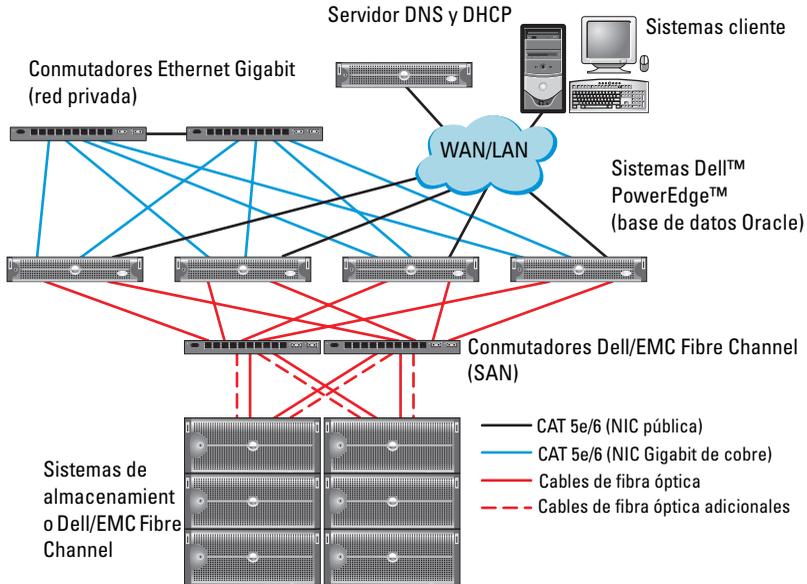
 **AVISO:** Antes de iniciar cualquiera de los procedimientos descritos en esta sección, lea la información de seguridad suministrada con el sistema. Para obtener información adicional sobre prácticas recomendadas, visite la página web sobre el cumplimiento de normativas en www.dell.com/regulatory_compliance.

En esta sección encontrará ayuda para comprobar las conexiones de hardware y las configuraciones de hardware y software del clúster Fibre Channel.

Conexiones de hardware para un clúster Fibre Channel

En la ilustración 3-1 se muestran las conexiones de hardware de un clúster Fibre Channel.

Ilustración 3-1. Conexiones de hardware para un clúster Fibre Channel



En la tabla 3-1 se enumeran las conexiones de hardware Fibre Channel mostradas en la ilustración 3-1 y se resumen las conexiones de clúster.

Tabla 3-1. Interconexiones de hardware Fibre Channel

Componente del clúster	Conexiones
Nodo del sistema PowerEdge	<ul style="list-style-type: none"> • Un cable de categoría 5 mejorada (CAT 5e) o CAT 6 de la NIC pública a la red de área local (LAN) • Un cable CAT 5e o CAT 6 de la NIC Gigabit privada al conmutador Ethernet Gigabit • Un cable CAT 5e o CAT 6 de una NIC Gigabit privada redundante a un conmutador Ethernet Gigabit redundante • Un cable de fibra óptica del HBA 0 al conmutador 0 Fibre Channel • Un cable de fibra óptica del HBA 1 al conmutador 1 Fibre Channel

Tabla 3-1. Interconexiones de hardware Fibre Channel *(continuación)*

Componente del clúster	Conexiones
Sistema de almacenamiento Dell/EMC Fibre Channel	<ul style="list-style-type: none">• Dos cables CAT 5e o CAT 6 conectados a la LAN• De una a cuatro conexiones de cable de fibra óptica a cada conmutador Fibre Channel. Por ejemplo, para una configuración de cuatro puertos:<ul style="list-style-type: none">– Un cable de fibra óptica del puerto 0 de SP-A al conmutador 0 Fibre Channel– Un cable de fibra óptica del puerto 1 de SP-A al conmutador 1 Fibre Channel– Un cable de fibra óptica del puerto 0 de SP-B al conmutador 1 Fibre Channel– Un cable de fibra óptica del puerto 1 de SP-B al conmutador 0 Fibre Channel
Conmutador Dell/EMC Fibre Channel	<ul style="list-style-type: none">• De una a cuatro conexiones de cable de fibra óptica al sistema de almacenamiento Dell/EMC Fibre Channel• Una conexión de cable de fibra óptica a cada HBA del sistema PowerEdge
Conmutador Ethernet Gigabit	<ul style="list-style-type: none">• Una conexión CAT 5e o CAT 6 a la NIC Gigabit privada en cada sistema PowerEdge• Una conexión CAT 5e o CAT 6 a los demás conmutadores Ethernet Gigabit

Cableado del sistema de almacenamiento Fibre Channel

Puede configurar el sistema de almacenamiento del clúster Fibre Channel de la base de datos Oracle con una de las configuraciones siguientes según sus necesidades:

- Fibre Channel de conexión directa (vea la ilustración 3-2)
- Fibre Channel de conexión mediante SAN de cuatro puertos (vea la ilustración 3-3)

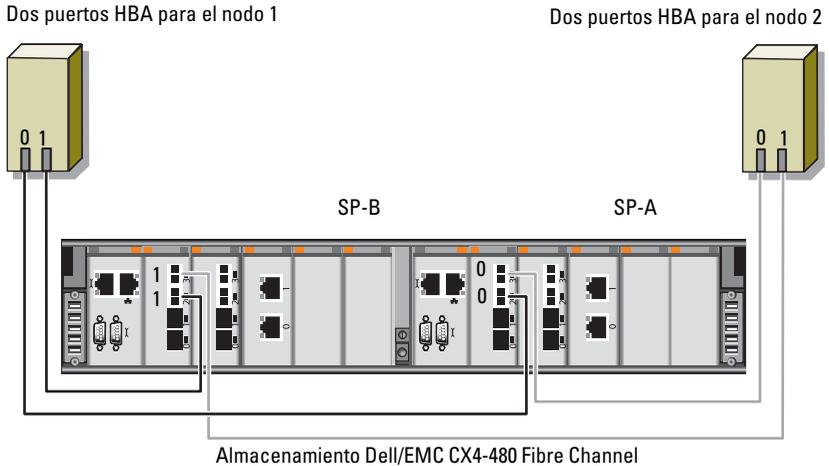
Configuración Fibre Channel de conexión directa

Para configurar los nodos en una configuración Fibre Channel de conexión directa:

- 1** Conecte un cable óptico del HBA 0 del nodo 1 al puerto 0 de SP-A.
- 2** Conecte un cable óptico del HBA 1 del nodo 1 al puerto 0 de SP-B.
- 3** Conecte un cable óptico del HBA 0 del nodo 2 al puerto 1 de SP-A.
- 4** Conecte un cable óptico del HBA 1 del nodo 2 al puerto 1 de SP-B.

En la ilustración 3-2 se muestran las conexiones de cables de un clúster Fibre Channel de conexión directa.

Ilustración 3-2. Cableado de un clúster Fibre Channel de conexión directa



Configuración Fibre Channel de conexión mediante SAN

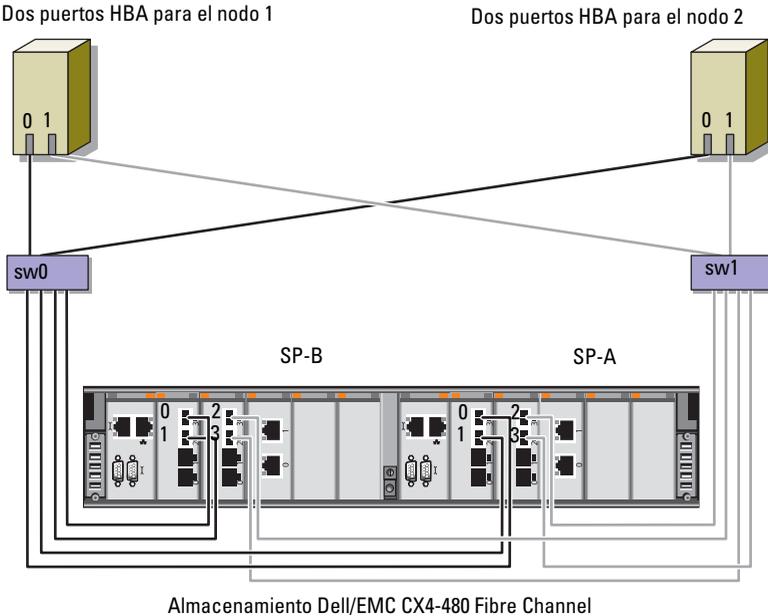
Para configurar los nodos con una configuración de conexión mediante SAN de cuatro puertos:

- 1 Conecte un cable óptico del puerto 0 de SP-A al conmutador 0 Fibre Channel.
- 2 Conecte un cable óptico del puerto 1 de SP-A al conmutador 1 Fibre Channel.
- 3 Conecte un cable óptico del puerto 2 de SP-A al conmutador 0 Fibre Channel.
- 4 Conecte un cable óptico del puerto 3 de SP-A al conmutador 1 Fibre Channel.
- 5 Conecte un cable óptico del puerto 0 de SP-B al conmutador 1 Fibre Channel.
- 6 Conecte un cable óptico del puerto 1 de SP-B al conmutador 0 Fibre Channel.
- 7 Conecte un cable óptico del puerto 2 de SP-B al conmutador 1 Fibre Channel.

- 8 Conecte un cable óptico del puerto 3 de SP-B al conmutador 0 Fibre Channel.
- 9 Conecte un cable óptico del HBA 0 del nodo 1 al conmutador 0 Fibre Channel.
- 10 Conecte un cable óptico del HBA 1 del nodo 1 al conmutador 1 Fibre Channel.
- 11 Conecte un cable óptico del HBA 0 del nodo 2 al conmutador 0 Fibre Channel.
- 12 Conecte un cable óptico del HBA 1 del nodo 2 al conmutador 1 Fibre Channel.

En la ilustración 3-3 se muestran las conexiones de cables de un clúster Fibre Channel de conexión mediante SAN.

Ilustración 3-3. Cableado de un clúster Fibre Channel de conexión mediante SAN



Configuración de un clúster SAS para los alojamientos de expansión Dell PowerVault MD3000 y MD1000

 **AVISO:** Antes de iniciar cualquiera de los procedimientos descritos en esta sección, lea la información de seguridad suministrada con el sistema. Para obtener información adicional sobre prácticas recomendadas, visite la página web de Dell™ sobre el cumplimiento de normativas en www.dell.com/regulatory_compliance.

Para configurar los sistemas Dell PowerEdge™ y los alojamientos para almacenamiento Dell PowerVault™ MD3000 y MD1000 de modo que funcionen en un entorno Oracle® Real Application Cluster (RAC):

- 1 Verifique las configuraciones de hardware y software de acuerdo con la ilustración 4-1, la tabla 4-1 y la ilustración 4-2.
- 2 Realice los pasos que se describen en “Configuración del hardware” en la página 391.

 **PRECAUCIÓN:** Antes de actualizar el firmware de la matriz de almacenamiento PowerVault MD3000, asegúrese de realizar una copia de seguridad de los datos.

Ilustración 4-1. Cableado del clúster SCSI de conexión serie (SAS) y el alojamiento para almacenamiento Dell PowerVault MD3000

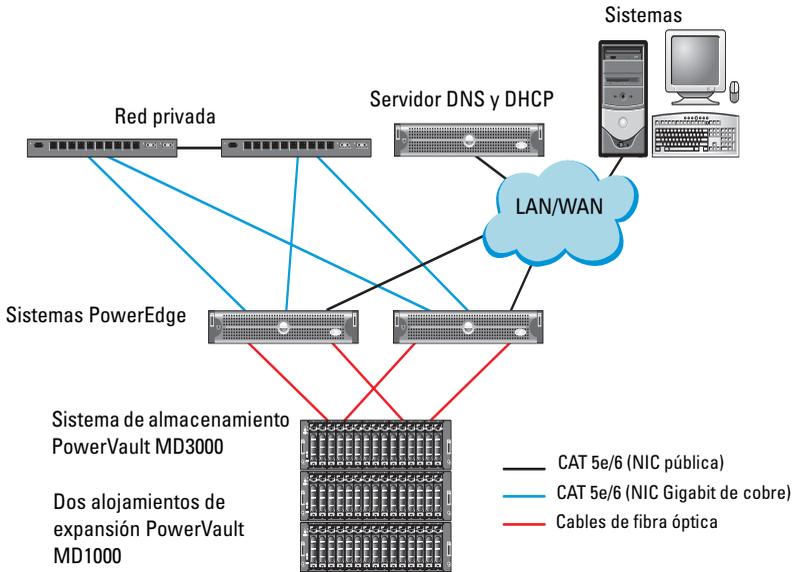


Tabla 4-1. Interconexiones de hardware del clúster SAS

Componente del clúster	Conexiones
Nodo del sistema PowerEdge	<ul style="list-style-type: none"> • Un cable CAT 5e/6 de la NIC pública a la red de área local (LAN) • Un cable CAT 5e/6 de la NIC Gigabit privada al conmutador Ethernet Gigabit (red privada) • Un cable CAT 5e/6 de la NIC Gigabit privada redundante al conmutador Ethernet Gigabit redundante (red privada) • Dos conexiones SAS al nodo del sistema PowerVault MD3000 mediante SAS 5/E

Tabla 4-1. Interconexiones de hardware del clúster SAS (continuación)

Componente del clúster	Conexiones
Alojamiento para almacenamiento PowerVault MD3000	<ul style="list-style-type: none">• Dos cables CAT 5e/6 conectados a la LAN (uno desde cada módulo del procesador de almacenamiento)• Dos conexiones SAS a cada nodo del sistema PowerEdge mediante cables SAS 5/E <p>NOTA: Para obtener más información sobre la interconexión de alojamientos para almacenamiento PowerVault MD3000, consulte "Configuración del hardware" en la página 391.</p>
Alojamiento para almacenamiento Dell PowerVault MD1000 (opcional)	Las conexiones de cable SAS adicionales que sean necesarias para los alojamientos de expansión PowerVault MD1000

Configuración del hardware

Los clústeres SAS sólo se pueden instalar en un clúster de conexión directa y están limitados a dos nodos únicamente.

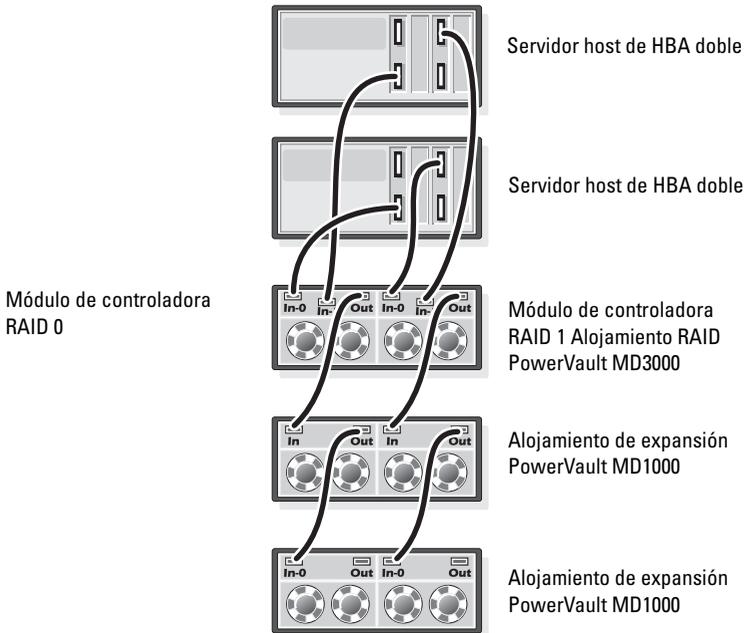
Para configurar los nodos con una configuración de conexión directa:

- 1 Conecte un cable SAS de un puerto de la controladora SAS del nodo 1 al puerto **In-0** de la controladora RAID 0 en el alojamiento para almacenamiento PowerVault MD3000.
- 2 Conecte un cable SAS del otro puerto de la controladora SAS del nodo 1 al puerto **In-0** de la controladora RAID 1 en el alojamiento para almacenamiento PowerVault MD3000.
- 3 Conecte un cable SAS de un puerto de la controladora SAS del nodo 2 al puerto **In-1** de la controladora RAID 0 en el alojamiento para almacenamiento PowerVault MD3000.
- 4 Conecte un cable SAS del otro puerto de la controladora SAS del nodo 2 al puerto **In-1** de la controladora RAID 1 en el alojamiento para almacenamiento PowerVault MD3000.
- 5 Si procede, conecte dos cables SAS de los dos puertos de salida de los alojamientos para almacenamiento PowerVault MD3000 a los dos puertos de entrada del primer alojamiento de expansión PowerVault MD1000.

- 6 Si procede, conecte dos cables SAS de los dos puertos de salida de los alojamientos para almacenamiento PowerVault MD1000 a los puertos **In-0** del segundo alojamiento de expansión PowerVault MD1000.

NOTA: Para obtener información sobre la configuración del alojamiento de expansión PowerVault MD1000, consulte la documentación del sistema de almacenamiento PowerVault MD1000 en support.dell.com/manuals.

Ilustración 4-2. Cableado del clúster SAS de conexión directa



Instalación de software de almacenamiento basado en host

Para instalar el software de almacenamiento basado en host necesario para el alojamiento para almacenamiento PowerVault MD3000, utilice el soporte multimedia de recursos de Dell PowerVault que se incluye con el sistema. Para instalar el software Modular Disk Storage Manager (MDSM) en el nodo maestro y el software de E/S de múltiples rutas (MPIO) en los demás nodos, siga los procedimientos descritos en la documentación del alojamiento para almacenamiento PowerVault MD3000.

Verificación y actualización del firmware

- 1 Detecte el almacenamiento de conexión directa del sistema host mediante el software MDSM que está instalado en el sistema host.
- 2 Compruebe que la versión del firmware de los componentes de almacenamiento siguientes es la mínima necesaria:
 - Firmware de la controladora RAID
 - Firmware del sistema de almacenamiento PowerVault MD3000
 - Firmware del alojamiento de expansión PowerVault MD1000



NOTA: Para consultar los requisitos de versión mínimos del firmware, seleccione el enlace **Dell Validated Components** (Componentes validados por Dell) en dell.com/oracle.

Instalación del controlador del adaptador SAS 5/E

Instale el controlador SAS 5/E desde el soporte multimedia de recursos de PowerVault MD3000.



NOTA: Asegúrese de que la versión del controlador SAS 5/E es igual o superior a la versión que se indica en la lista de soluciones disponibles (SDL), que se puede obtener para cada componente validado por Dell en dell.com/oracle.

Para obtener ayuda para instalar controladores en ambos nodos del clúster, consulte la documentación que se suministra con el alojamiento para almacenamiento PowerVault MD3000 y los HBA SAS.

Realización de las tareas posteriores a la instalación

Una vez instalados los controladores y el software, realice las tareas posteriores a la instalación indicadas en la guía de instalación de PowerVault MD3000. Cree el entorno que se muestra en el documento *Sistemas Dell PowerEdge — Base de datos Oracle en Enterprise Linux x86_64 — Guía de instalación del sistema operativo y el hardware* y en la guía de Linux. Ambos documentos están disponibles en support.dell.com/manuals.



NOTA: Se recomienda configurar los discos para los LUN en una configuración RAID 10.

Configuración de un clúster iSCSI para los alojamientos para almacenamiento Dell™ PowerVault™ MD3000i y MD1000

 **AVISO:** Antes de iniciar cualquiera de los procedimientos descritos en esta sección, lea la información de seguridad suministrada con el sistema. Para obtener información adicional sobre prácticas recomendadas, visite la página web sobre el cumplimiento de normativas en www.dell.com/regulatory_compliance.

En esta sección se proporciona información y se describen los procedimientos para configurar el sistema Dell PowerEdge™ y los alojamientos para almacenamiento PowerVault MD3000i y MD1000 para que funcionen en un entorno Oracle® Real Application Cluster (RAC).

Compruebe las conexiones de hardware y las configuraciones de hardware y software en la sección sobre configuraciones admitidas del documento *Dell PowerVault MD3000i Support Matrix* (Tabla de compatibilidades de Dell PowerVault MD3000i), disponible en support.dell.com/manuals.

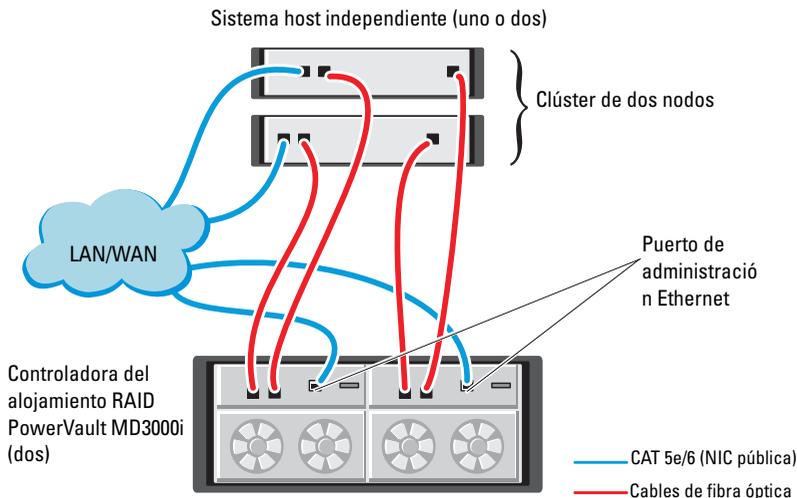
Tabla 5-1. Interconexiones de hardware iSCSI

Componente del clúster	Conexiones
Nodo del sistema PowerEdge	<ul style="list-style-type: none"> • Un cable CAT 5e/6 de la NIC pública a la red de área local (LAN) • Un cable CAT 5e/6 de la NIC Gigabit privada al conmutador Ethernet Gigabit (red privada) • Un cable CAT 5e/6 de la NIC Gigabit privada redundante al conmutador Ethernet Gigabit redundante (red privada) • Un cable CAT 5e/6 de una NIC Gigabit iSCSI a un conmutador Ethernet Gigabit (red iSCSI)
Sistema de almacenamiento PowerVault MD3000i	<ul style="list-style-type: none"> • Dos cables CAT 5e/6 conectados a la LAN (uno desde cada módulo del procesador de almacenamiento) para la interfaz de administración • Dos cables CAT 5e/6 por procesador de almacenamiento para la interconexión iSCSI <p>NOTA: Para obtener información adicional sobre el alojamiento para almacenamiento PowerVault MD3000i, consulte la documentación de PowerVault MD3000i en support.dell.com/manuals.</p>
Alojamiento de expansión de almacenamiento PowerVault MD1000 (opcional)	Las conexiones de cable SAS adicionales que sean necesarias para los alojamientos de expansión PowerVault MD1000

Configuración del hardware

Los clústeres iSCSI de conexión directa están limitados a dos nodos únicamente.

Ilustración 5-1. Cableado de los clústeres iSCSI de conexión directa



Para configurar los nodos en una conexión directa, vea la Ilustración 5-1 y realice los pasos siguientes:

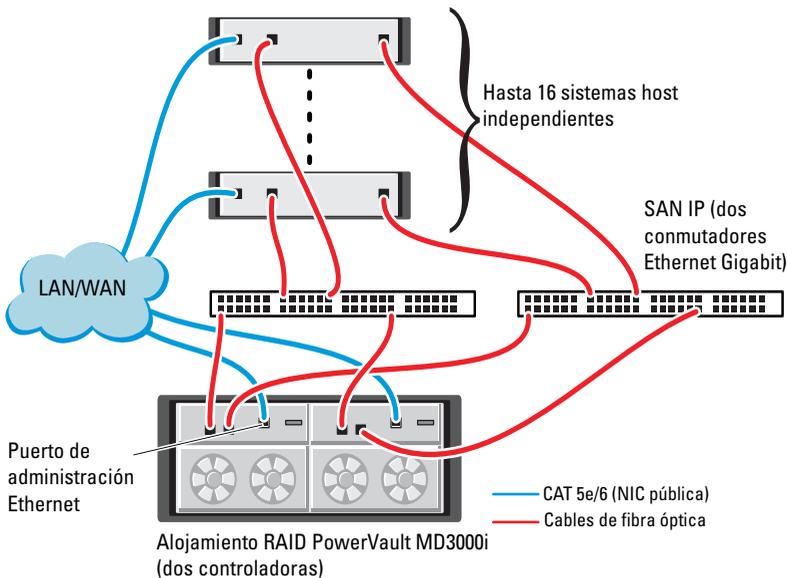
- 1 Conecte un cable CAT 5e/6 de un puerto (NIC o HBA iSCSI) del nodo 1 al puerto **In-0** de la controladora RAID 0 en el alojamiento para almacenamiento PowerVault MD3000i.
- 2 Conecte un cable CAT 5e/6 del otro puerto (NIC o HBA iSCSI) del nodo 1 al puerto **In-0** de la controladora RAID 1 en el alojamiento para almacenamiento PowerVault MD3000i.
- 3 Conecte un cable CAT 5e/6 de un puerto (NIC o HBA iSCSI) del nodo 2 al puerto **In-1** de la controladora RAID 0 en el alojamiento para almacenamiento PowerVault MD3000i.
- 4 Conecte un cable CAT 5e/6 del otro puerto (NIC o HBA iSCSI) del nodo 2 al puerto **In-1** de la controladora RAID 1 en el alojamiento para almacenamiento PowerVault MD3000i.

- 5 Si procede, conecte dos cables SAS de los dos puertos de salida de los alojamientos para almacenamiento PowerVault MD3000 a los dos puertos de entrada del primer alojamiento de expansión PowerVault MD1000.
- 6 Si procede, conecte dos cables SAS de los dos puertos de salida de los alojamientos para almacenamiento PowerVault MD1000 a los puertos **In-0** del segundo alojamiento de expansión MD1000.

NOTA: Para obtener información sobre la configuración del alojamiento de expansión PowerVault MD1000, consulte la documentación del sistema de almacenamiento PowerVault MD3000i en support.dell.com/manuals.

Los clústeres iSCSI conmutados pueden admitir hasta ocho nodos.

Ilustración 5-2. Cableado de los clústeres iSCSI conmutados



Para configurar los nodos en una conexión conmutada, vea la Ilustración 5-2 y realice los pasos siguientes:

- 1 Conecte un cable CAT 5e/6 de un puerto (NIC o HBA iSCSI) del nodo 1 al puerto del conmutador de red 1.
- 2 Conecte un cable CAT 5e/6 de un puerto (NIC o HBA iSCSI) del nodo 1 al puerto del conmutador de red 2.
- 3 Conecte un cable CAT 5e/6 de un puerto (NIC o HBA iSCSI) del nodo 2 al puerto del conmutador de red 1.
- 4 Conecte un cable CAT 5e/6 de un puerto (NIC o HBA iSCSI) del nodo 2 al puerto del conmutador de red 2.
- 5 Conecte un cable CAT 5e/6 de un puerto del conmutador 1 al puerto **In-0** de la controladora RAID 0 en el alojamiento para almacenamiento PowerVault MD3000i.
- 6 Conecte un cable CAT 5e/6 del otro puerto del conmutador 1 al puerto **In-0** de la controladora RAID 1 en el alojamiento para almacenamiento PowerVault MD3000i.
- 7 Conecte un cable CAT 5e/6 de un puerto del conmutador 2 al puerto **In-1** de la controladora RAID 0 en el alojamiento para almacenamiento PowerVault MD3000i.
- 8 Conecte un cable CAT 5e/6 del otro puerto del conmutador 2 al puerto **In-1** de la controladora RAID 1 en el alojamiento para almacenamiento PowerVault MD3000i.
- 9 Si procede, conecte dos cables SAS de los dos puertos de salida de los alojamientos para almacenamiento PowerVault MD3000i a los dos puertos de entrada del primer alojamiento de expansión PowerVault MD1000.
- 10 Si procede, conecte dos cables SAS de los dos puertos de salida de los alojamientos para almacenamiento PowerVault MD3000 a los puertos **In-0** del segundo alojamiento de expansión PowerVault MD1000.



NOTA: Para obtener información sobre la configuración del alojamiento de expansión PowerVault MD1000, consulte la documentación del sistema de almacenamiento PowerVault MD3000i en support.dell.com/manuals. Se recomienda utilizar una red independiente para la infraestructura de almacenamiento iSCSI. Si no es posible dedicar una red independiente para iSCSI, asigne la función de almacenamiento a una red de área local virtual (VLAN) distinta; esto crea redes lógicas independientes en una red física.

Instalación del software basado en host necesario para el almacenamiento

Para instalar el software de almacenamiento basado en host necesario para el sistema de almacenamiento PowerVault MD3000i, utilice el soporte multimedia de recursos de Dell PowerVault entregado con el sistema de almacenamiento PowerVault MD3000i. Siga los procedimientos descritos en la documentación del alojamiento para almacenamiento PowerVault MD3000i, disponible en support.dell.com/manuals, para instalar el software Modular Disk Storage Manager en el nodo maestro y el software de múltiples rutas (MPIO) en los demás nodos.

Verificación y actualización del firmware

- 1 Detecte el almacenamiento de conexión directa del sistema host mediante el software Modular Disk Storage Manager que está instalado en el sistema host.
- 2 Compruebe que la versión del firmware de los componentes de almacenamiento siguientes es la mínima necesaria.
 - Firmware del sistema de almacenamiento MD3000i
 - Firmware del alojamiento de expansión MD1000



NOTA: Para consultar los requisitos de versión mínimos del firmware, seleccione el enlace **Dell Validated Components** (Componentes validados por Dell) en dell.com/oracle.

Tareas posteriores a la instalación

Una vez instalados los controladores y el software, realice las tareas posteriores a la instalación indicadas en la Guía de instalación de PowerVault MD3000i, disponible en support.dell.com/manuals, para crear el entorno que se muestra en la tabla 5-1 en la página 396.

Configuración de un clúster iSCSI para los sistemas de almacenamiento Dell EqualLogic serie PS



AVISO: Antes de iniciar cualquiera de los procedimientos descritos en esta sección, lea la información de seguridad suministrada con el sistema. Para obtener información adicional sobre prácticas recomendadas, visite la página web de Dell™ sobre el cumplimiento de normativas en www.dell.com/regulatory_compliance.

Terminología de EqualLogic

Las matrices de almacenamiento EqualLogic™ serie PS incluyen tecnología de virtualización de almacenamiento. Para comprender mejor cómo funcionan estas matrices, es aconsejable familiarizarse con parte de la terminología utilizada para describir estas matrices y sus funciones:

- **Miembro:** una sola matriz de la serie PS.
- **Grupo:** conjunto formado por uno o varios miembros que se puede administrar de forma centralizada; los sistemas host acceden a los datos a través de una única dirección IP del grupo.
- **Bloque:** RAID que puede consistir en discos de uno o varios miembros.
- **Volumen:** LUN o disco virtual que representa un subconjunto de la capacidad de un bloque.

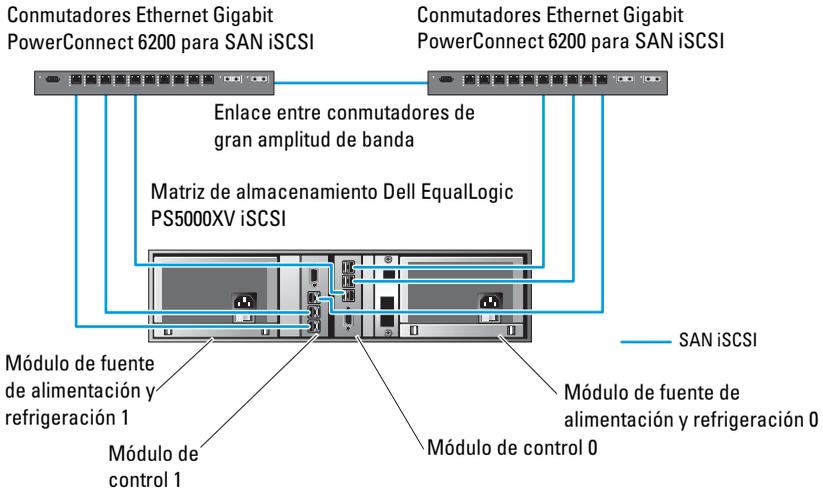
Configuración de un sistema de almacenamiento iSCSI EqualLogic

Los sistemas host se pueden conectar a la matriz iSCSI EqualLogic PS5000XV a través de un conmutador Ethernet Gigabit estándar de SAN IP. En la ilustración 6-1 se muestra la configuración de red recomendada para una matriz EqualLogic PS5000XV de módulo de control dual. Esta configuración incluye dos conmutadores Ethernet Gigabit Dell PowerConnect™ serie 6200, que ofrecen la mayor disponibilidad de red y la máxima amplitud de banda de red.



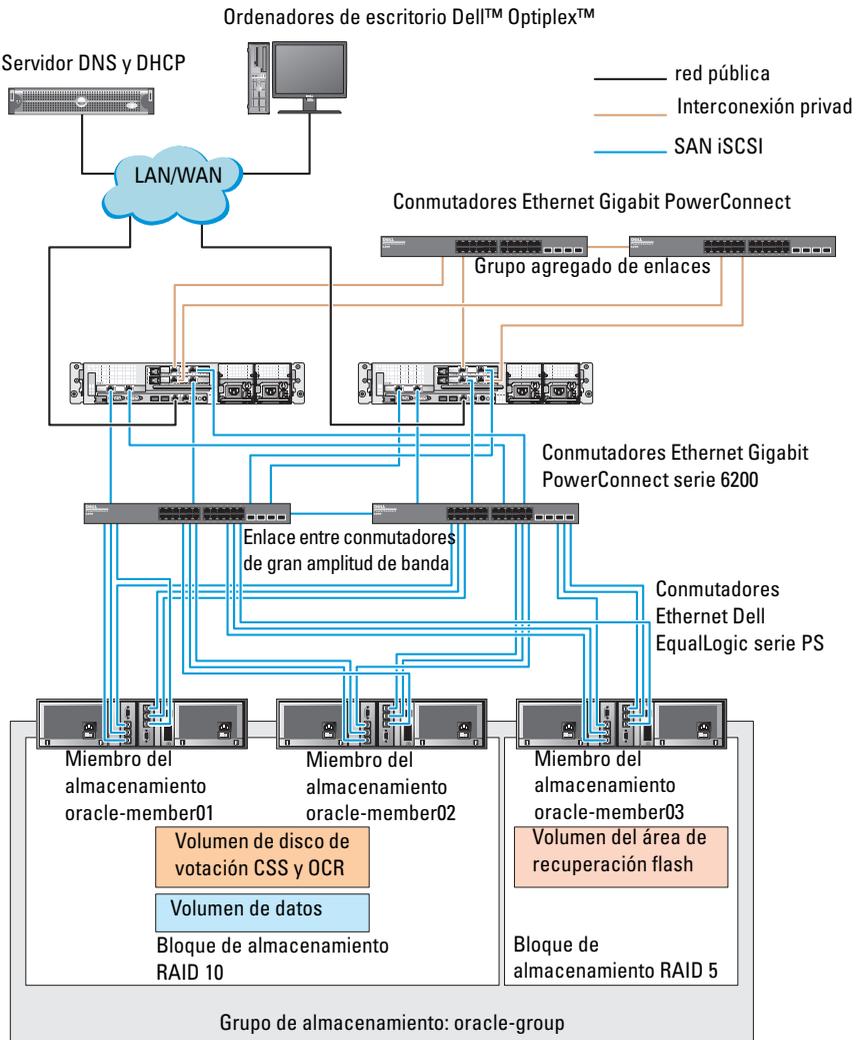
NOTA: Se recomienda utilizar dos conmutadores Ethernet Gigabit. En caso de producirse un error en el conmutador en un entorno con un único conmutador Ethernet, todos los hosts perderán el acceso al almacenamiento hasta que el conmutador se sustituya físicamente y se restaure la configuración. En una configuración de este tipo, debe haber varios puertos con agregación de enlaces que proporcionen la conexión interconmutada o de combinación de puertos. Además, desde cada uno de los módulos de control, se recomienda conectar una interfaz Gigabit a un conmutador Ethernet y las otras dos interfaces Gigabit al otro conmutador Ethernet.

Ilustración 6-1. Configuración de red recomendada



En la ilustración 6-2 se ofrece una visión general de la arquitectura de una configuración de Oracle[®] Real Application Cluster (RAC) de muestra con tres matrices Dell EqualLogic PS5000XV. Las matrices de almacenamiento Dell EqualLogic PS5000XV ofrecen la capacidad de almacenamiento físico para la base de datos RAC. El grupo **oracle-group** incluye tres miembros Dell EqualLogic PS5000XV: **oracle-member01**, **oracle-member02** y **oracle-member03**. Al inicializar un miembro, se puede configurar con RAID 10, RAID 5 o RAID 50.

Ilustración 6-2. Configuración de Oracle® RAC de muestra con tres matrices PS5000XV



NOTA: Para obtener más información sobre cómo inicializar una matriz EqualLogic, consulte la Guía del usuario de Dell EqualLogic en support.dell.com/manuals.

Un grupo de almacenamiento EqualLogic serie PS se puede segregar en varios niveles en cascada o bloques. El almacenamiento en cascada proporciona a los administradores un mayor control sobre la asignación de recursos de disco. Un miembro sólo se puede asignar a un bloque a la vez. Es fácil asignar un miembro a un bloque y mover un miembro entre bloques sin influir en la disponibilidad de los datos. Los bloques se pueden organizar según distintos criterios, como el tipo o la velocidad del disco, el nivel de RAID y el tipo de aplicación.

En la ilustración 6-2, los bloques se organizan por el nivel de RAID de los miembros:

- Un bloque denominado RAID 10 está formado por miembros RAID10.
- Un bloque denominado RAID 5 está formado por miembros RAID5.

Creación de volúmenes

Antes de poder almacenar datos, los discos físicos de la matriz de almacenamiento EqualLogic PS5000XV se deben configurar como componentes utilizables, denominados volúmenes. Un volumen representa una parte del bloque de almacenamiento, con un tamaño específico, así como controles de acceso y otros atributos. Un volumen puede abarcar varios discos y miembros de grupos. En la red, el volumen se reconoce como un destino iSCSI.

Los volúmenes se asignan a un bloque y se pueden mover fácilmente entre bloques, sin influir en la disponibilidad de los datos. Además, en función de la carga de trabajo global de los recursos de hardware de almacenamiento del bloque, se efectúa la colocación automática de los datos y el equilibrio de carga automático dentro de un bloque.

En la tabla 6-1 se presenta una configuración de volúmenes de muestra.

Tabla 6-1. Configuración de volúmenes para Oracle RAC

Número de volúmenes	Tamaño mínimo	RAID	Número de particiones	Utilizado para	Asignación del sistema operativo
Cinco	1 024 MB	10	Una	Disco de votación, registro de clúster Oracle (OCR)	Grupo de discos ASM para registro de clúster (OCR) y disco de votación
Uno	Más grande que la base de datos	10	Una	Datos	Grupo de discos ASM DATABASEDG
Uno	Como mínimo dos veces el tamaño de los volúmenes de la segunda área	5	Una	Área de recuperación flash	Grupo de discos ASM FLASHBACKDG
Uno (opcional)	10 GB	10	Una	Ubicación principal de BDD compartida	Grupo de discos ASM para ubicación principal de BDD compartida

Cree volúmenes en la matriz Dell EqualLogic PS5000XV y cree una lista de acceso para que todas las interfaces de red iSCSI del host puedan acceder a los volúmenes. Por ejemplo, se crearán los siguientes volúmenes:

- mdi-ocr
- mdi-data1
- mdi-fral

Configuración de redes iSCSI

Se recomienda configurar las interfaces de red del host para el tráfico iSCSI de modo que utilicen el **control de flujo** y la **trama gigante** para obtener un rendimiento óptimo. Con la utilidad `ethtool` se puede configurar el **control de flujo**.

Utilice el comando siguiente para comprobar el **control de flujo** (pausa de recepción y transmisión) en las interfaces: `# ethtool -a <interface>`

Por ejemplo:

```
# ethtool -a eth2
Pause parameters for eth2:
Autonegotiate:          on
RX:                     on
TX:                     on
```

En este ejemplo se muestra que el **Flow Control** (control de flujo) ya está activado. Si no lo está, utilice el comando siguiente para activarlo:

```
# ethtool -A <interface> rx on tx on
```

La **trama gigante** se configura en las secuencias de comandos de `/etc/sysconfig/network-scripts/ifcfg-<interface>` mediante la adición del parámetro `MTU="<mtu-value>"`.

A continuación se ofrece un ejemplo con un valor de **MTU** igual a **9000**.

```
# cat /etc/sysconfig/network-scripts/ifcfg-eth2
DEVICE=eth2
HWADDR=00:15:17:80:43:50
ONBOOT=yes
TYPE=Ethernet
BOOTPROTO=none
IPADDR=10.16.7.125
NETMASK=255.255.255.0
USERCTL=no
MTU=9000
```

Compruebe la configuración de la **trama gigante** mediante el comando `ifconfig`:

```
$ ifconfig eth2
eth2      Link encap:Ethernet  HWaddr
00:15:17:80:43:50
          inet addr:10.16.7.125  Bcast:10.16.7.255
Mask:255.255.255.0
          inet6 addr: fe80::215:17ff:fe80:4350/64
Scope:Link
          UP BROADCAST RUNNING MULTICAST  MTU:9000
Metric:1
          RX packets:3348411 errors:0 dropped:0
overruns:0 frame:0
          TX packets:2703578 errors:0 dropped:0
overruns:0 carrier:0
          collisions:0 txqueuelen:1000
          RX bytes:10647052076 (9.9 GiB) TX
bytes:11209177325 (10.4 GiB)
          Memory:d5ee0000-d5f00000
```

Configuración del acceso de host a volúmenes

En esta sección se proporciona información sobre cómo configurar el acceso de host a volúmenes iSCSI mediante la herramienta `iscsiadm`. La herramienta `iscsiadm` es la utilidad de administración de open-iSCSI.

- 1 Inicie sesión en el sistema como usuario `root`. Compruebe que el software iniciador de open-iSCSI se haya instalado en todos los sistemas host:
`rpm -qa|grep -i iscsi-initiator`
Si el RPM iniciador de open-iSCSI está instalado, se muestra la línea siguiente:
`iscsi-initiator-utils-6.2.0.868-0.7.el5`
Si no se muestra, instale el RPM iniciador de open-iSCSI.
- 2 Inicie el servicio iSCSI.
`service iscsi start`
- 3 Habilite el inicio del servicio iSCSI al iniciar.
`chkconfig --add iscsi`
`chkconfig iscsi on`
`chkconfig --list iscsi`

- 4 Obtenga la dirección de hardware de cada interfaz de red en el host que se utiliza para el tráfico iSCSI.

```
grep -i hwaddr /etc/sysconfig/network-  
scripts/ifcfg-ethn,  
donde n es el número de interfaz de red.
```

- 5 Cree una interfaz para cada interfaz de red en el host que se utiliza para el tráfico iSCSI.

```
iscsiadm -m iface -I iface_name --op=new,  
donde iface_name es el nombre asignado a la interfaz.  
iscsiadm -m iface -I iface_name --op=update -n  
iface.hwaddress -v hardware_address  
donde hardware_address es la dirección de hardware de la interfaz  
obtenida en el paso 4.
```

Por ejemplo, los comandos siguientes crean una interfaz denominada **eth0-iface** para la interfaz **eth0** cuya dirección de hardware es **00:18:8B:4E:E6:CC**:

```
# iscsiadm -m iface -I eth0-iface --op=new
```

Se añade la nueva interfaz **eth0-iface**.

```
# iscsiadm -m iface -I eth0-iface --op=update -n  
iface.hwaddress -v 00:18:8B:4E:E6:CC  
eth0-iface updated
```

- 6 Compruebe que las interfaces se hayan creado y asociado correctamente:

```
iscsiadm -m iface
```

- 7 Modifique la información de CHAP en **/etc/iscsi/iscsid.conf** en el host.

```
node.session.auth.username = username  
node.session.auth.password = password  
discovery.sendtargets.auth.username = username  
discovery.sendtargets.auth.password = password  
donde username es el nombre de usuario de CHAP definido en el  
almacenamiento EqualLogic y password es la contraseña de CHAP  
definida en el almacenamiento EqualLogic.
```

- 8 Reinicie el servicio iSCSI para aplicar la nueva configuración.

```
service iscsi stop  
service iscsi start
```

9 Detecte los destinos de todas las **interfaces** creadas en el paso 5.

```
iscsiadm -m discovery -t st -p group_ip_address --  
interface=iface_name1 --interface=iface_name2 --  
interface=iface_name3 --interface=iface_name4,  
donde group_ip_address es la dirección IP del grupo de almacenamiento  
EqualLogic e iface_name1, iface_name2, iface_name3, iface_name4, etc.  
son las interfaces de red (como se define en el paso 5) del host que  
se utiliza para el tráfico iSCSI.
```

Por ejemplo, el comando siguiente detecta cuatro volúmenes en
la dirección IP de grupo **10.16.7.100** de un host con dos interfaces
denominadas **eth0-iface** y **eth1-iface**:

```
# iscsiadm -m discovery -t st -p 10.16.7.100 --  
interface=eth0-iface --interface=eth1-iface  
10.16.7.100:3260,1 iqn.2001-05.com.equallogic:  
0-8a0906-90ee59d02-e26f999767b4942e-mdi-ocr-css-  
spfile  
10.16.7.100:3260,1 iqn.2001-05.com.equallogic:  
0-8a0906-90ee59d02-e26f999767b4942e-mdi-ocr-css-  
spfile  
10.16.7.100:3260,1 iqn.2001-05.com.equallogic:  
0-8a0906-93ee59d02-674f999767d4942e-mdi-data1  
10.16.7.100:3260,1 iqn.2001-05.com.equallogic:  
0-8a0906-93ee59d02-674f999767d4942e-mdi-data1  
10.16.7.100:3260,1 iqn.2001-05.com.equallogic:  
0-8a0906-95ce59d02-2e0f999767f4942e-mdi-data2  
10.16.7.100:3260,1 iqn.2001-05.com.equallogic:  
0-8a0906-95ce59d02-2e0f999767f4942e-mdi-data2  
10.16.7.100:3260,1 iqn.2001-05.com.equallogic:  
0-8a0906-97be59d02-d7ef99976814942e-mdi-fra1  
10.16.7.100:3260,1 iqn.2001-05.com.equallogic:  
0-8a0906-97be59d02-d7ef99976814942e-mdi-fra1
```

- 10** Compruebe que se hayan detectado todos los volúmenes de todas las **interfaces** del host: `iscsiadm -m discovery --print=1`
Por ejemplo:

```
# iscsiadm -m discovery --print=1
```

```
SENDTARGETS:
```

```
DiscoveryAddress: 10.16.7.100,3260  
Target: iqn.2001-05.com.equallogic:0-8a0906-  
90ee59d02-e26f999767b4942e-mdi-ocr-css-spfile  
Portal: 10.16.7.100:3260,1  
Iface Name: eth0-iface  
Iface Name: eth1-iface
```

```
Target: iqn.2001-05.com.equallogic:0-8a0906-  
93ee59d02-674f999767d4942e-mdi-data1  
Portal: 10.16.7.100:3260,1  
Iface Name: eth0-iface  
Iface Name: eth1-iface
```

```
Target: iqn.2001-05.com.equallogic:0-8a0906-  
95ce59d02-2e0f999767f4942e-mdi-data2  
Portal: 10.16.7.100:3260,1  
Iface Name: eth0-iface  
Iface Name: eth1-iface
```

```
Target: iqn.2001-05.com.equallogic:0-8a0906-  
97be59d02-d7ef99976814942e-mdi-fra1  
Portal: 10.16.7.100:3260,1  
Iface Name: eth0-iface  
Iface Name: eth1-iface
```

```
iSNS:
```

```
No targets found.
```

```
STATIC:
```

```
No targets found.
```

- 11** Inicie sesión en todos los destinos (volúmenes) de cada interfaz creada en el paso 5:

```
iscsiadm -m node -p group_ip_address --interface  
iface_name --login,
```

donde **group_ip_address** es la dirección IP del grupo de almacenamiento EqualLogic e **iface_name** es la interfaz de red (como se define en el paso 5) del host que se utiliza para el tráfico iSCSI.

En el ejemplo siguiente se inicia sesión en tres volúmenes de cada una de las dos **interfaces (eth0-iface y eth1-iface)** de un host.

```
# iscsiadm -m node -p 10.16.7.100 --interface  
eth0-iface --login  
Logging in to [iface: eth0-iface, target:  
iqn.2001-05.com.equallogic:0-8a0906-90ee59d02-  
e26f999767b4942e-mdi-ocr-css-spfile, portal:  
10.16.7.100,3260]  
Logging in to [iface: eth0-iface, target:  
iqn.2001-05.com.equallogic:0-8a0906-95ce59d02-  
2e0f999767f4942e-mdi-data2, portal:  
10.16.7.100,3260]  
Logging in to [iface: eth0-iface, target:  
iqn.2001-05.com.equallogic:0-8a0906-93ee59d02-  
674f999767d4942e-mdi-data1, portal:  
10.16.7.100,3260]  
Logging in to [iface: eth0-iface, target:  
iqn.2001-05.com.equallogic:0-8a0906-97be59d02-  
d7ef99976814942e-mdi-fral, portal:  
10.16.7.100,3260]  
Login to [iface: eth0-iface, target: iqn.2001-  
05.com.equallogic:0-8a0906-90ee59d02-  
e26f999767b4942e-mdi-ocr-css-spfile, portal:  
10.16.7.100,3260]: successful  
Login to [iface: eth0-iface, target: iqn.2001-  
05.com.equallogic:0-8a0906-95ce59d02-  
2e0f999767f4942e-mdi-data2, portal:  
10.16.7.100,3260]: successful
```

```
Login to [iface: eth0-iface, target: iqn.2001-05.com.equallogic:0-8a0906-93ee59d02-674f999767d4942e-mdi-data1, portal: 10.16.7.100,3260]: successful

Login to [iface: eth0-iface, target: iqn.2001-05.com.equallogic:0-8a0906-97be59d02-d7ef99976814942e-mdi-fral, portal: 10.16.7.100,3260]: successful

# iscsiadm -m node -p 10.16.7.100 --interface eth1-iface --login

Logging in to [iface: eth1-iface, target: iqn.2001-05.com.equallogic:0-8a0906-90ee59d02-e26f999767b4942e-mdi-ocr-css-spfile, portal: 10.16.7.100,3260]

Logging in to [iface: eth1-iface, target: iqn.2001-05.com.equallogic:0-8a0906-95ce59d02-2e0f999767f4942e-mdi-data2, portal: 10.16.7.100,3260]

Logging in to [iface: eth1-iface, target: iqn.2001-05.com.equallogic:0-8a0906-93ee59d02-674f999767d4942e-mdi-data1, portal: 10.16.7.100,3260]

Logging in to [iface: eth1-iface, target: iqn.2001-05.com.equallogic:0-8a0906-97be59d02-d7ef99976814942e-mdi-fral, portal: 10.16.7.100,3260]

Login to [iface: eth1-iface, target: iqn.2001-05.com.equallogic:0-8a0906-90ee59d02-e26f999767b4942e-mdi-ocr-css-spfile, portal: 10.16.7.100,3260]: successful

Login to [iface: eth1-iface, target: iqn.2001-05.com.equallogic:0-8a0906-95ce59d02-2e0f999767f4942e-mdi-data2, portal: 10.16.7.100,3260]: successful
```

```
Login to [iface: eth1-iface, target: iqn.2001-05.com.equallogic:0-8a0906-93ee59d02-674f999767d4942e-mdi-data1, portal: 10.16.7.100,3260]: successful
```

```
Login to [iface: eth1-iface, target: iqn.2001-05.com.equallogic:0-8a0906-97be59d02-d7ef99976814942e-mdi-fral, portal: 10.16.7.100,3260]: successful
```

- 12** Visualice y compruebe todas las conexiones y las sesiones activas:
`iscsiadm -m session -i`
- 13** Compruebe que las particiones estén visibles en el sistema operativo:
`cat /proc/partitions`
- 14** Repita del paso 1 al paso 13 en los demás hosts del clúster.

Configuración de Device Mapper Multipath para volúmenes

- 1** Ejecute el comando `/sbin/scsi_id` en los dispositivos creados para Oracle a fin de obtener sus identificadores de dispositivo exclusivos:

```
/sbin/scsi_id -gus /block/<device>
```

Por ejemplo:

```
# scsi_id -gus /block/sda
```

- 2** Quite la marca de comentario de la sección siguiente de `/etc/multipath.conf`.

```
blacklist {
    wwid 26353900f02796769
    devnode "^(ram|raw|loop|fd|md|dm-
|sr|scd|st) [0-9]*"
    devnode "^hd[a-z]"
}
```

- 3** Quite la marca de comentario de la sección siguiente de `/etc/multipath.conf`.

```
defaults {
    udev_dir                /dev
    polling_interval        10
    selector                 "round-robin 0"
    path_grouping_policy    multibus
    getuid_callout          "/sbin/scsi_id -g -u -s
/block/%n"
    prio_callout            /bin/true
    path_checker            readsector0
    rr_min_io               100
    max_fds                 8192
    rr_weight               priorities
    failback                immediate
    no_path_retry           fail
    user_friendly_names     yes
}
```

- 4** Añada la sección siguiente a `/etc/multipath.conf`. El WWID se obtiene en el paso 1. Asegúrese de que los nombres de alias sean coherentes en todos los hosts del clúster.

```
multipaths {
    multipath {
        wwid    WWID_of_volume1
        alias   alias_of_volume1
    }
    multipath {
        wwid    WWID_of_volume2
        alias   alias_of_volume2
    }
}
```

Añada un apartado de multirruta por cada volumen adicional.

```
}
```

En la muestra siguiente se incluyen configuraciones de cuatro volúmenes.

```
multipaths {
    multipath {
        wwid          36090a028d059ee902e94b4
6797996fe2
        alias         ocr-css-spfile
    }
    multipath {
        wwid          36090a028d059ee932e94d4
6797994f67
        alias         data1
    }
    multipath {
        wwid          36090a028d059ce952e94f4
6797990f2e
        alias         data2
    }
    multipath {
        wwid          36090a028d059be972e9414
689799efd7
        alias         fra1
    }
}
```

- 5 Reinicie el daemon multirruta y compruebe que los nombres de alias se muestran en la salida de **multipath -ll**.

```
service multipathd restart
multipath -ll
```

Por ejemplo:

```
fra1 (36090a028d059be972e9414689799efd7) dm-13
EQLOGIC,100E-00
[size=5.0G][features=1
queue_if_no_path][hwhandler=0]
\_ round-robin 0 [prio=0][enabled]
\_ 96:0:0:0 sds 65:32 [active][ready]
\_ 92:0:0:0 sdab 65:176 [active][ready]
```

```

ocr-css-spfile
(36090a028d059ee902e94b46797996fe2) dm-11
EQLOGIC,100E-00
[size=2.0G][features=1
queue_if_no_path][hwhandler=0]
\_ round-robin 0 [prio=0][enabled]
\_ 93:0:0:0 sdf 8:80 [active][ready]
\_ round-robin 0 [prio=0][enabled]
\_ 86:0:0:0 sdad 65:208 [active][ready]

data2 (36090a028d059ce952e94f46797990f2e) dm-8
EQLOGIC,100E-00
[size=20G][features=1
queue_if_no_path][hwhandler=0]
\_ round-robin 0 [prio=0][enabled]
\_ 97:0:0:0 sdc 8:32 [active][ready]
\_ 98:0:0:0 sdd 8:48 [active][ready]

data1 (36090a028d059ee932e94d46797994f67) dm-18
EQLOGIC,100E-00
[size=20G][features=1
queue_if_no_path][hwhandler=0]
\_ round-robin 0 [prio=0][enabled]
\_ 95:0:0:0 sdq 65:0 [active][ready]
\_ 89:0:0:0 sdac 65:192 [active][ready]

```

- 6** Compruebe que se hayan creado los dispositivos de `/dev/mapper/*`. Los nombres de estos dispositivos se deben utilizar para acceder e interactuar con dispositivos multirruta en las secciones siguientes.

Por ejemplo:

```

# ls -lt /dev/mapper/*

crw----- 1 root root 10, 63 Dec 15 11:22
/dev/mapper/control
brw-rw---- 1 root disk 253, 18 Dec 15 11:51
/dev/mapper/data1
brw-rw---- 1 root disk 253, 8 Dec 15 13:47
/dev/mapper/data2
brw-rw---- 1 root disk 253, 13 Dec 15 11:51
/dev/mapper/fral

```

```
brw-rw---- 1 root disk 253, 11 Dec 15 11:51  
/dev/mapper/ocr-css-spfile  
brw-rw---- 1 root disk 253,  6 Dec 15 11:22  
/dev/mapper/osvg-crs  
brw-rw---- 1 root disk 253,  3 Dec 15 11:22  
/dev/mapper/osvg-home  
brw-rw---- 1 root disk 253,  4 Dec 15 11:22  
/dev/mapper/osvg-opt  
brw-rw---- 1 root disk 253,  0 Dec 15 11:22  
/dev/mapper/osvg-root  
brw-rw---- 1 root disk 253,  7 Dec 15 11:22  
/dev/mapper/osvg-swap  
brw-rw---- 1 root disk 253,  1 Dec 15 11:22  
/dev/mapper/osvg-tmp  
brw-rw---- 1 root disk 253,  2 Dec 15 11:22  
/dev/mapper/osvg-usr  
brw-rw---- 1 root disk 253,  5 Dec 15 11:22  
/dev/mapper/osvg-var
```

- 7 Repita del paso 1 al paso 7 en los demás hosts del clúster.

Configuración del almacenamiento de base de datos en el host

 **AVISO:** Antes de iniciar cualquiera de los procedimientos descritos en esta sección, lea la información de seguridad suministrada con el sistema. Para obtener información adicional sobre prácticas recomendadas, visite la página web sobre el cumplimiento de normativas en www.dell.com/regulatory_compliance.

Oracle® Real Application Clusters (RAC) es una configuración de base de datos compleja que requiere una lista ordenada de procedimientos. En las secciones siguientes se describe cómo verificar, ajustar y configurar los discos de almacenamiento para el almacenamiento Fibre Channel, SAS de conexión directa o iSCSI en el host.

Verificación e identificación de los discos de almacenamiento

Al configurar los clústeres, cree particiones en el sistema de almacenamiento Fibre Channel, SAS de conexión directa o iSCSI. Para crear las particiones, todos los nodos deben ser capaces de detectar los dispositivos de almacenamiento externos.

 **NOTA:** El procedimiento que se indica en esta sección describe cómo implantar la base de datos Oracle para el almacenamiento SAS de conexión directa y para el almacenamiento Fibre Channel. En los procedimientos siguientes se utiliza la nomenclatura del almacenamiento Fibre Channel. Si se utiliza un almacenamiento SAS de conexión directa o iSCSI (matriz de almacenamiento Dell™ PowerVault™ MD3000, MD3000i o Dell EqualLogic), utilice la tabla 7-1 para traducir la nomenclatura de Fibre Channel a la nomenclatura del almacenamiento SAS de conexión directa o iSCSI.

Tabla 7-1. Nomenclatura de la matriz Fibre Channel, SAS de conexión directa y EqualLogic

Almacenamiento Fibre Channel	SAS de conexión directa o iSCSI (MD3000/MD3000i)	Volúmenes de las matrices EqualLogic
LUN	Discos virtuales	Volúmenes
/dev/emcpower(X)	/dev/sd(X)	/dev/sd(X)
PowerPath	Múltiples rutas (MPIO)	Device Mapper

Para verificar que cada nodo puede detectar todos los discos lógicos o LUN de almacenamiento, haga lo siguiente:

- 1 En el sistema de almacenamiento Dell/EMC Fibre Channel, compruebe que cada nodo tenga el agente EMC[®] Navisphere[®] y la versión correcta de PowerPath[®] instalados. Compruebe que cada nodo esté asignado al grupo de almacenamiento correcto del software EMC Navisphere. Para obtener instrucciones, consulte la documentación suministrada con el sistema de almacenamiento Dell/EMC Fibre Channel.



NOTA: Si va a instalar el clúster o a volver a instalar el software en un nodo, debe realizar el paso 1.

- 2 Compruebe visualmente que los dispositivos de almacenamiento y los nodos están conectados correctamente al conmutador Fibre Channel (vea la Ilustración 3-1 y la tabla 3-1).
- 3 Verifique que ha iniciado la sesión como **root**.
- 4 Escriba lo siguiente en *cada nodo*:

```
more /proc/partitions
```

El nodo detecta y muestra los LUN o discos lógicos, así como las particiones creadas en estos dispositivos externos.



NOTA: Los dispositivos de la lista varían según la configuración del sistema de almacenamiento.

Aparece una lista de los LUN o discos lógicos detectados por el nodo, así como las particiones que se han creado en dichos dispositivos externos. La lista también incluye pseudodispositivos PowerPath, como por ejemplo /dev/emcpowera, /dev/emcpowerb y /dev/emcpowerc. En el caso de una configuración SAS de conexión directa o iSCSI, los discos virtuales aparecen como /dev/sdb y /dev/sdc.

- 5** En el archivo `/proc/partitions`, compruebe lo siguiente:
- Todos los pseudodispositivos PowerPath aparecen en el archivo con nombres de dispositivo similares en todos los nodos.
Por ejemplo, `/dev/emcpowera`, `/dev/emcpowerb` y `/dev/emcpowerc`.
 - En el caso de las matrices de almacenamiento PowerVault MD3000, MD3000i o EqualLogic, todos los volúmenes o discos virtuales aparecen en el archivo con nombres de dispositivo similares en todos los nodos.
Por ejemplo, `/dev/sdb`, `/dev/sdc` y `/dev/sdd`.
 - Los volúmenes lógicos de almacenamiento externo aparecen como dispositivos SCSI y todos los nodos están configurados con el mismo número de LUN, discos virtuales o volúmenes. Por ejemplo, si se configura el nodo con una unidad SCSI o un contenedor RAID conectado:

En un dispositivo de almacenamiento Fibre Channel con tres discos lógicos:
 - `sda` identifica la unidad interna o el contenedor RAID del nodo.
 - `emcpowera`, `emcpowerb` y `emcpowerc` identifican los LUN (o pseudodispositivos PowerPath).
En un dispositivo de almacenamiento SAS de conexión directa o iSCSI con tres discos virtuales:
 - `sda` identifica la unidad interna o el contenedor RAID del nodo.
 - `sdb`, `sdc` y `sdd` identifican los volúmenes lógicos de almacenamiento externo.
- 6** Si los dispositivos de almacenamiento externos no aparecen en el archivo `/proc/partitions`, reinicie el nodo.

Ajuste de las particiones de disco para sistemas que ejecutan el sistema operativo Linux



PRECAUCIÓN: En un sistema que ejecuta el sistema operativo Linux, alinee la tabla de particiones antes de escribir datos en el LUN o disco virtual. El mapa de particiones se vuelve a escribir y se eliminan todos los datos del LUN o disco virtual.

Ejemplo: Argumentos de la utilidad `fdisk`

En el ejemplo siguiente se indican los argumentos de la utilidad `fdisk`. En este ejemplo, el LUN está asignado a `/dev/emcpowera` y el tamaño del elemento de banda del LUN es de 128 bloques.



NOTA: En este ejemplo, el disco `/dev/emcpowera` ya contiene una partición primaria `/dev/emcpowera1`. En el caso de la matriz de almacenamiento PowerVault MD3000, MD3000i o EqualLogic, las particiones se crean en `/dev/sdb1`.

```
fdisk /dev/emcpowera
```



NOTA: Cree una partición en `/dev/emcpowera` antes de realizar los pasos siguientes.

```
x # expert mode (x # modo experto)
b # adjust starting block number (b # ajustar el
número de bloque inicial)
1 # choose partition 1 (1 # elegir la partición 1)
128 # set it to 128 (128 # establecido en 128) (Éste es el
tamaño predeterminado del elemento de banda en el almacenamiento
Dell/EMC serie CX Fibre Channel.)
w # write the new partition (w # escribir la nueva
partición)
```

Para los LUN que disponen de una instantánea, un clon o una imagen MirrorView, se recomienda utilizar el método `fdisk` en lugar del método de ajuste de alineamiento de LUN. También se recomienda realizar una copia SAN de los orígenes y los destinos.

Uso de la utilidad fdisk para ajustar una partición de disco

- 1 En el indicador de comandos, escriba:
`fdisk <PartitionName>`,
donde `<PartitionName>` es el nombre de la partición que está ajustando.
Por ejemplo, si el nombre de la partición es `/dev/emcpowera`, escriba:
`fdisk /dev/emcpowera`
El sistema muestra el mensaje siguiente:
`The number of cylinders for this disk is set
to 8782.
There is nothing wrong with that, but this is
larger than 1024, and could in certain setups
cause problems with:
1) software that runs at boot time (e.g., old
versions of LILO)
2) booting and partitioning software from other
OSs (e.g., DOS FDISK, OS/2 FDISK)`
(El número de cilindros de este disco es de 8 782. No hay inconveniente pero, dado que es un número mayor que 1 024, podría causar problemas en determinadas configuraciones con: 1) el software que se ejecuta durante el inicio [p. ej., antiguas versiones de LILO]; 2) el software de inicio y particionamiento de otros sistemas operativos [p. ej., FDISK de DOS, FDISK de OS/2])
- 2 En el indicador de comandos, escriba el siguiente argumento de la utilidad `fdisk`: `x`
- 3 En el indicador de comandos, escriba el siguiente argumento de la utilidad `fdisk`: `b`
- 4 Cuando se le solicite el número de partición, escríbalo en el indicador de comandos. Por ejemplo: `1`
- 5 Especifique la nueva ubicación en la partición de disco para el inicio de los datos. Por ejemplo: `128`

- 6 En el indicador de comandos, escriba el siguiente argumento de la utilidad `fdisk: w`
El sistema muestra el mensaje siguiente:
The partition table has been altered!
Calling ioctl() to re-read partition table.
Syncing disks. (La tabla de particiones se ha modificado. Se está llamando a `IOCTL ()` para volver a leer la tabla de particiones. Se están sincronizando los discos.)
- 7 Repita del paso 1 al paso 6 para el resto de los LUN con datos de Oracle.

Configuración del almacenamiento compartido para archivos de recuperación, de base de datos y de software de clúster en un entorno RAC

Utilice el controlador de biblioteca ORACLEASM para configurar discos para Automatic Storage Management (ASM). Para configurar los discos ASM:

- 1 Inicie la sesión como `root`.
- 2 Abra una ventana de terminal y realice los pasos siguientes en todos los nodos:
 - a Escriba `service oracleasm configure`.
 - b Escriba lo siguiente para todos los nodos:
`Default user to own the driver interface []:grid`
`Default group to own the driver interface []:asmadmin`
`Start Oracle ASM library driver on boot (y/n) [n]:y`
`Fix permissions of Oracle ASM disks on boot (y/n) [y]:y`
- 3 Realice este paso sólo si la configuración de RAC utiliza un almacenamiento iSCSI EqualLogic y un controlador de Device Mapper Multipath de Linux.
 - a Defina el parámetro `ORACLEASM_SCANORDER` en `/etc/sysconfig/oracleasm` como `dm`.
 - b Reinicie el sistema para que se apliquen los cambios.

- 4** En el primer nodo de la ventana de terminal, escriba lo siguiente y pulse <Intro>:

```
service oracleasm createdisk ASM1 /dev/emcpowerb1  
service oracleasm createdisk ASM2 /dev/emcpowerc1
```
- 5** Repita el paso 4 para los discos ASM adicionales que necesite crear.
- 6** Compruebe que los discos ASM se hayan creado y se hayan marcado para el uso de ASM. En la ventana de terminal, escriba lo siguiente y pulse <Intro>:

```
service oracleasm listdisks
```

Se muestran los discos que ha creado en el paso 4. Por ejemplo:

```
ASM1  
ASM2
```
- 7** Asegúrese de que los demás nodos pueden acceder a los discos ASM que ha creado en el paso 4. En cada nodo restante, abra una ventana de terminal, escriba lo siguiente y pulse <Intro>:

```
service oracleasm scandisks
```


Índice

A

- alta disponibilidad, 369
- ayuda, 364
 - asistencia de Dell, 364
 - asistencia de Oracle, 365

B

- bonding de red, 369

C

- cable
 - CAT 5e, 384
 - CAT 6, 384
- cableado
 - almacenamiento Fibre Channel, 386
 - clúster iSCSI, 397
- certificación y formación
 - Dell, 364
 - Oracle, 365
- conmutador Ethernet, 385
- Conmutador PowerConnect, 402
- Conmutadores, 385

D

- Dell/EMC Fibre Channel
 - almacenamiento, 385
 - conmutador, 385
- dirección IP
 - dirección IP privada, 367
 - dirección IP pública, 367
 - dirección IP virtual, 367
- disco virtual, 364

E

- EMC
 - Navisphere, 420
 - PowerPath, 420
- Enterprise Linux, 364

F

- Fibre Channel
 - configuración de conexión directa, 386
 - configuración de conexión mediante SAN, 387

I

- ifconfig, 368

M

Modular Disk Storage
Manager, 393

MTU, 407

N

NIC

asignaciones de puerto, 367

nombres de alias, 415

número de unidad lógica, 364

P

par de bonding, 368

parámetros de red, 369

pseudodispositivos

PowerPath, 420

S

SAS

configuración del clúster, 389,
395, 401, 419

servicio de nombres
de dominio, 367

software MPIIO, 393

soporte multimedia de recursos
PowerVault MD3000, 393

supervisión de enlaces, 369

T

término

bloque, 401

grupo, 401

miembro, 401

volumen, 401

trama gigante, 407

V

volúmenes, 405